



CGI900SS

Caple Curved Glass Island 90cm

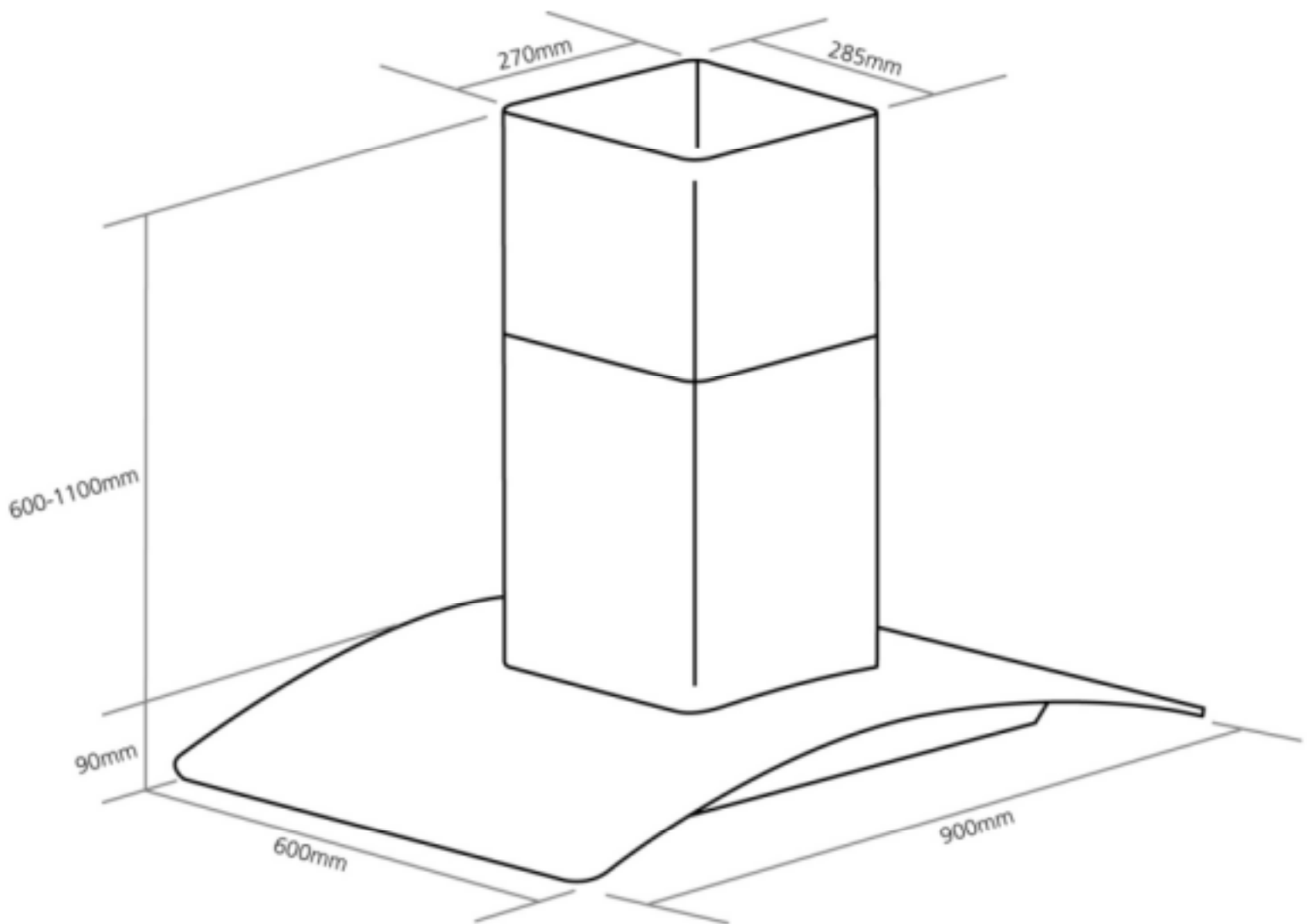


TECHNICAL INFORMATION



CGI900SS

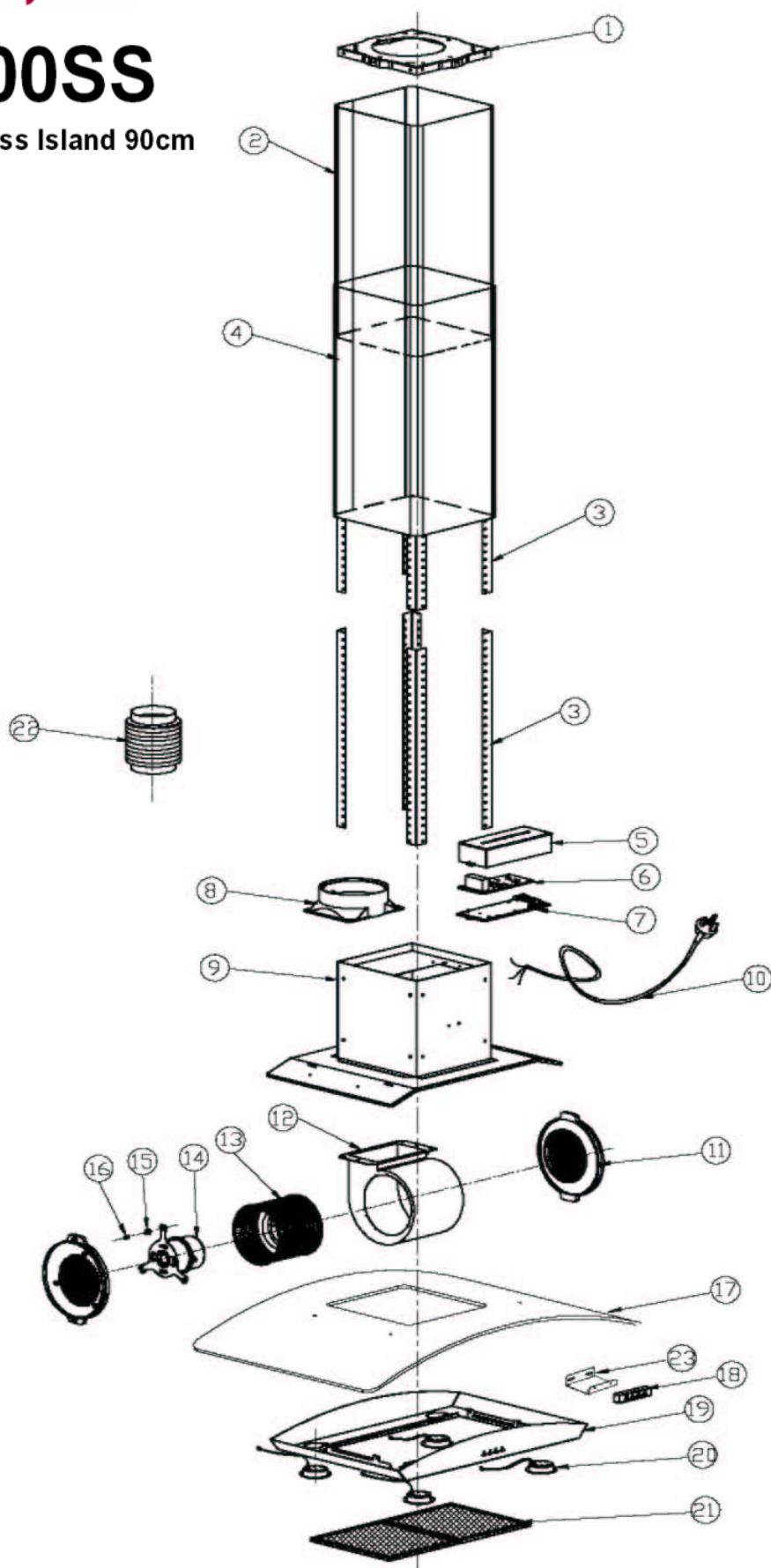
Caple Curved Glass Island 90cm





CGI900SS

Caple Curved Glass Island 90cm



CGI900SS - Caple Curved Glass Island 90cm

NO.	Part number	Description in English	Material	Qty
1	02300610320617CO	Hanging board	Electrolytic Board	1
2	0210388CS50311CO	Inside chimney	Stainless Steel	1
3	0270388CS50005CO	Corner iron	Electrolytic Board	8
4	0210388CS50301CO	Outside chimney	Stainless Steel	1
5&7	AYS06122	PCB BOX	PP	1
6	AYD06216	PCB board	Combination	1
8	AYS06118	outlet	PP	1
9	0285388CS53300	Casing	Electrolytic Board	1
10	AYD06118	Cable with plug	Combination	1
11	AYS06116	Grid	PP	2
12	AYW06520	Blower	Electrolytic Board	1
13	AYS06045	Impeller	PP	1
14	1020090902S100	Motor(700m3/h air suction)	Combination	1
15	15800120080800	Shockproof Pad	Rubber	3
16	05400600800400	Screw pipe	Aluminum	3
17	2000388CS53800	Glass	Glass	1
18	AYD-06302	Switch Assembly (electronic button) 	Combination	1
19	0210388CS52001CO	Frame	Electrolytic Board	1
20	1010300201100	halogen light	Combination	4
21	05502602305400	Filter	Electrolytic Board	2
22	AYS06132	Extensible pipe	PE	1
23	02310338804105CO	Switch bracket	Electrolytic Board	1

AC 220-240V / 50Hz

