



CGC700SS/450

Caple curved glass hood

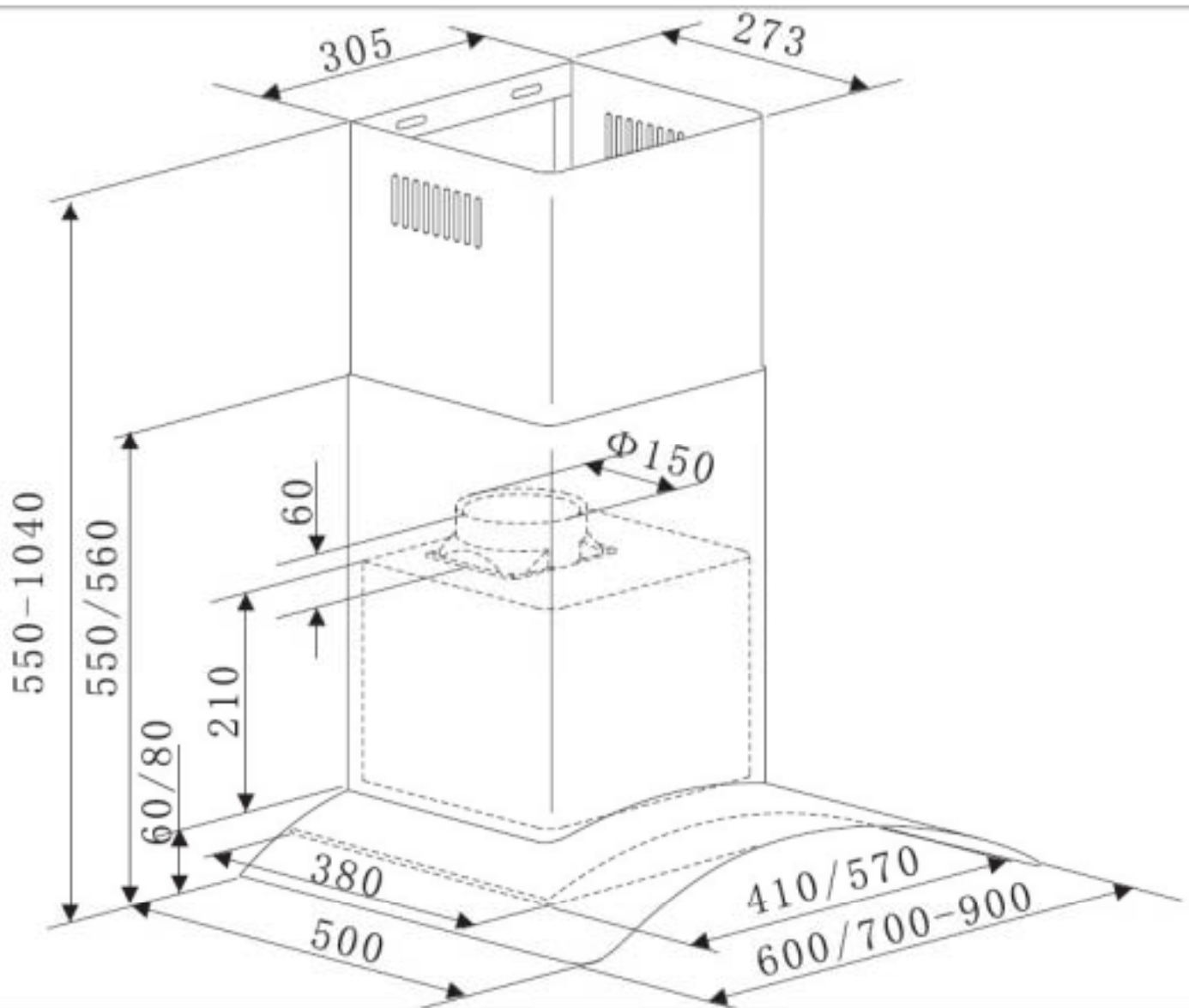


Technical information



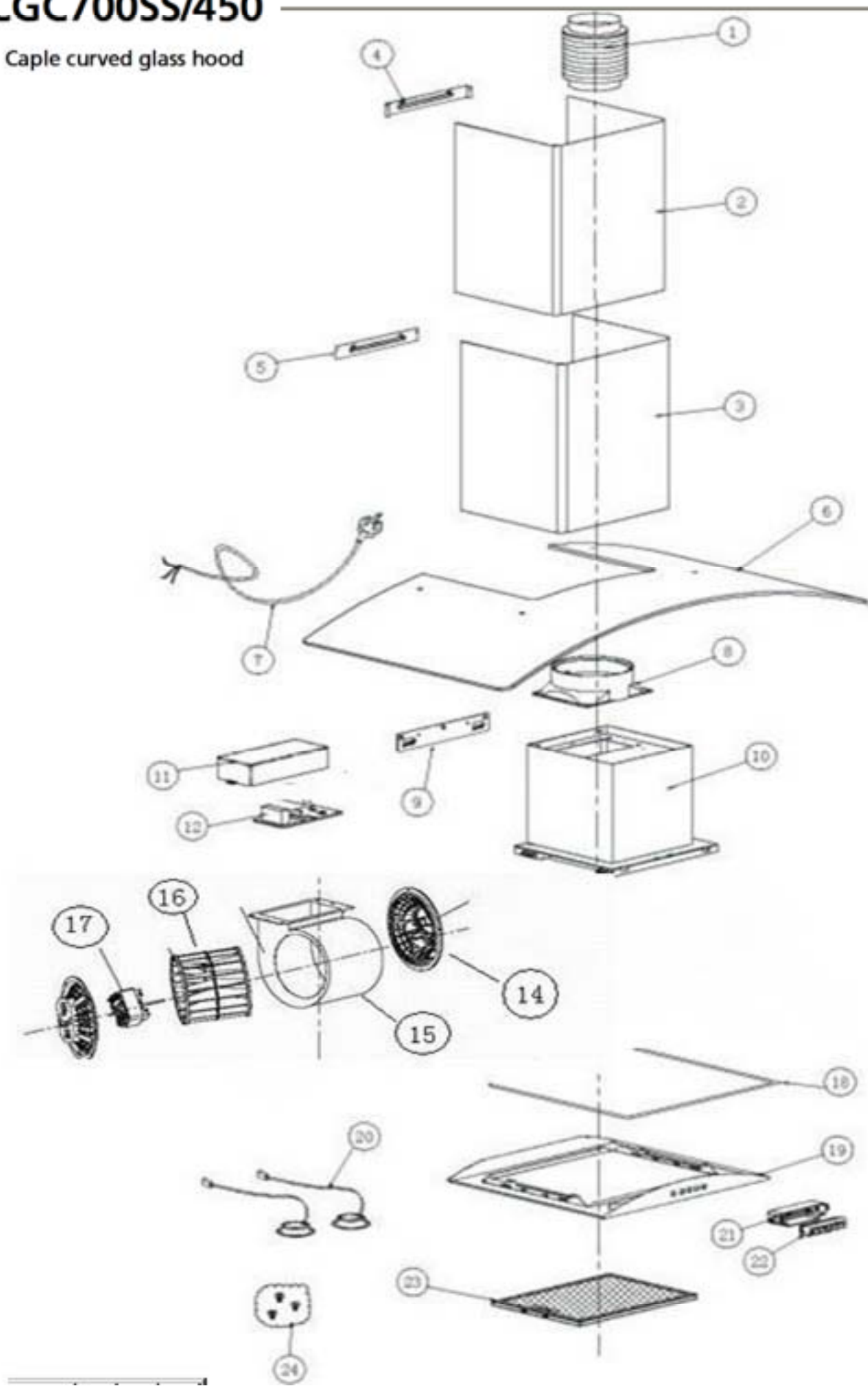
CGC700SS/450

Caple curved glass hood



CGC700SS/450

Caple curved glass hood





CGC700SS/450 - Caple curved glass hood

Item	Part Code	Description	Qty
1	AYS06132	Extensible pipe	1
2	AYW06330	Inside chimney	1
3	AYW06329	Outside chimney	1
4	AYH35021	High chimney bracket	1
5	AYH35022	Low chimney bracket	1
6	AYB06057	Glass	1
7	AYD06118	Cable with plug	1
8	AYS06118	Outlet	1
9	AYW06633	Hook	1
10	AYW06450	Casing	1
11	AYS06122	PCB BOX	1
12	AYD06217	PCB board	1
14	AYS08116	Grid	2
15	AYW08520	Blower	1
16	AYS08045	Impeller	1
17	AYD06002	Motor (450M3/H air suction)	1
18	AYS06078	Rubber	1
19	AYW06029	Switch panel	1
20	AYD06252	Light	2
21/22	AYD06298	Push button	1
23	AYQ06001	Aluminium Filter	1
24	AYF338A2	Screw fitting	1

AC 220-240V /50Hz

