



CCH6

Caple 600mm Stainless Steel Chimney



TECHNICAL INFORMATION



New product information sheet

Product name: CCH6

Description: Cooker hood

Product code: CCH6

Features

Width 600mm

Stainless steel

Push button controls

3 speeds

2 x 40W lights

Max. extraction 450m³/h

Max. noise level 65dB

Aluminium grease filters

Ducting spigot size 150mm

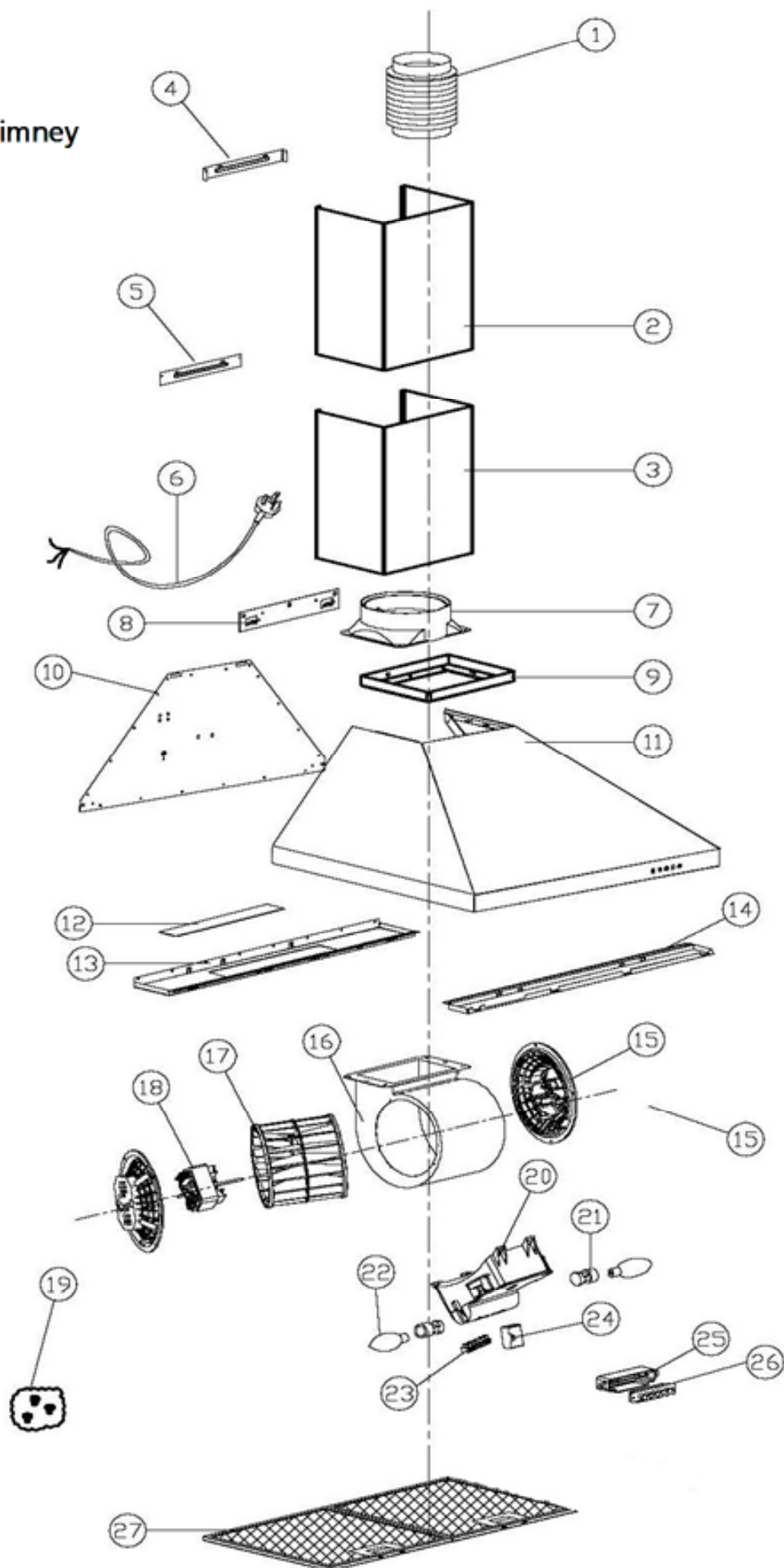


Optional extras

Recirculation kit CAP17CF

CCH6

Caple 600mm Chimney





CCH6 - Caple 600mm Chimney

Item	Part Code	Description	Qty
1	AYS06132	Extensible pipe	1
2	AYW0400	Inside chimney	1
3	AYW0460	Outside chimney	1
4	AYH35031	Inside chimney bracket	1
5	AYH35032	Outside chimney bracket	1
6	AYD06118	Power cord	1
7	AYS06118	Air outlet	1
8	AYW06634	Hook	1
9	AYW06448	Connection board	1
10	AYW08114	Back board	1
11	AYW08076	Shell	1
12	AYB08101	Light board glass	1
13	AYW08227	Light board	1
14	AYW08209	Front board	1
15	AYS08116	Grid	2
16	AYW08520	Blower	1
17	AYS08045	Impeller	1
18	AYD06002	Motor (450M3/H air suction)	1
19	AYS08035	Screw pack	1
20	AYS-06124	Junction box	1
21	AYD06272	Lamp holder	2
22	AYD06277	Lamp	2
23	AYJ08282	Junction pin	1
24	AYC08281	Capacitance	1
25/26	AYD06298	Push button assembly	1
27	AYQ08011	Aluminum Filter	2

CCH6

Caple 600mm Chimney

AC 220-240V /50Hz

