



CCH2

Caple 900mm Stainless Steel Chimney

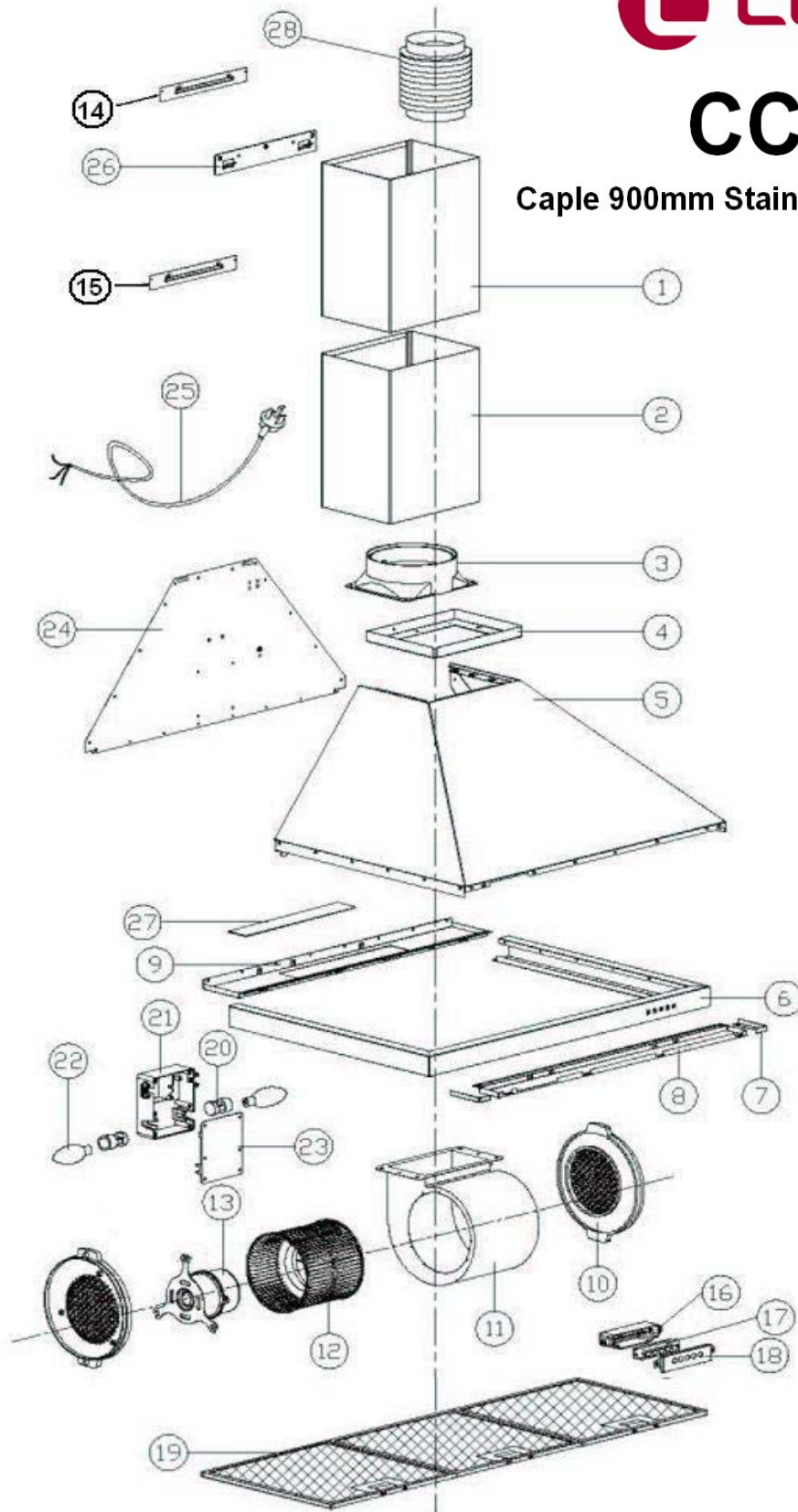


TECHNICAL INFORMATION



CCH2

Capele 900mm Stainless Steel Chimney





CCH2 - Caple 900mm Stainless Steel Chimney

| N0. | Part number | Description in English | Material | Qty |
|----------|-------------|--------------------------------|--------------------|-----|
| 1 | AYW06399 | Inside chimney | Stainless Steel | 1 |
| 2 | AYW06398 | Outside chimney | Stainless Steel | 1 |
| 3 | AYS06118 | outlet | PP | 1 |
| 4 | AYW06448 | Connection board | Electrolytic Board | 1 |
| 5 | AYW06078 | Shell | Stainless Steel | 1 |
| 6/7 | AYW06206 | Frame with right & left corner | Stainless Steel | 1 |
| 8 | AYW06210 | Front board | Stainless Steel | 1 |
| 9 | AYW06235 | Light board | Stainless Steel | 1 |
| 10 | AYS06116 | Grid | PP | 2 |
| 11 | AYW06520 | Blower | Electrolytic Board | 1 |
| 12 | AYS06045 | Impeller | PP | 1 |
| 13 | AYD06002 | Motor(500m3/h air suction) | Combination | 1 |
| 14 | AYH35031 | High chimney bracket | Electrolytic Board | 1 |
| 15 | AYH35032 | Low chimney bracket | Electrolytic Board | 1 |
| 16/17/18 | AYD06298 | Push button | Combination | 1 |
| 19 | AYQ06013 | Filter | Compounding | 3 |
| 20 | AYD06272 | Lamp holder | Compounding | 2 |
| 21/23 | AYS06124 | Switch box | Compounding | 1 |
| 22 | AYD06277 | Lamp | Compounding | 2 |
| 24 | AYW06118 | Back board | Electrolytic Board | 1 |
| 25 | AYD06118 | Cable with plug | Combination | 1 |
| 26 | AYW06634 | Hook | Electrolytic Board | 1 |
| 27 | AYB06101 | Lamp glass | Glass | 1 |
| 28 | AYS06132 | Extensible pipe | PE | 1 |

AC 220-240V / 50Hz

