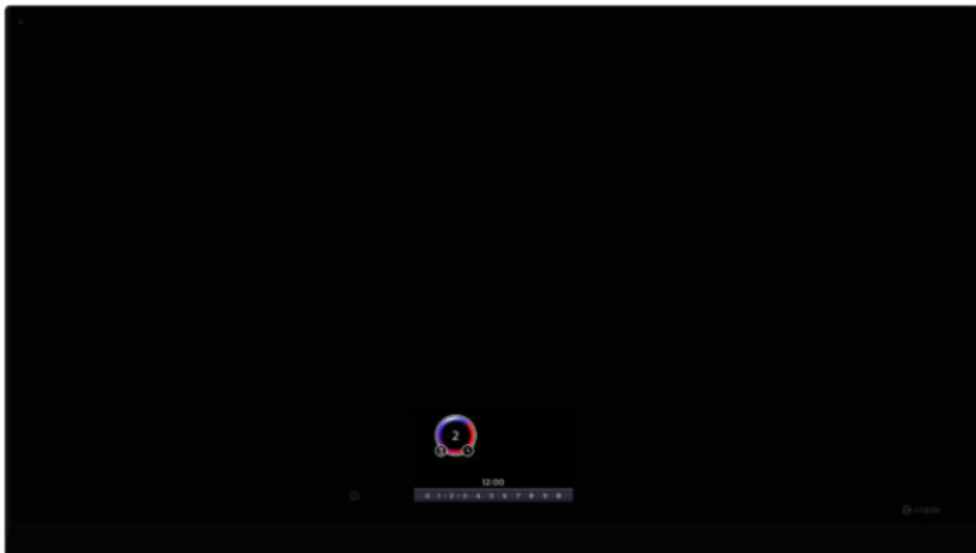




C9901

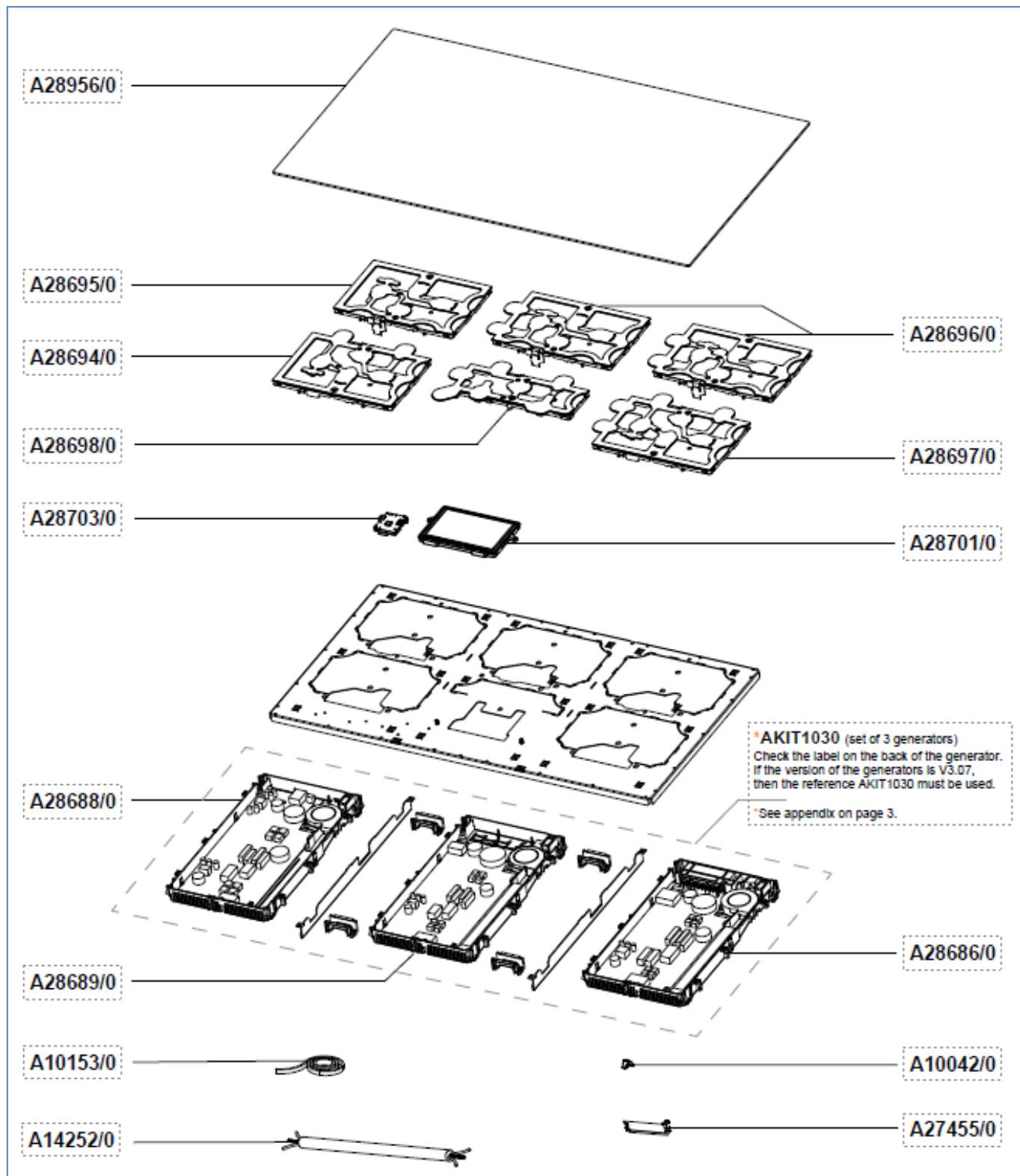
Caple 92cm TFT Induction Hob Sense Premium



Technical Manual

C9901

Caple 92cm TFT Induction Hob Sense Premium





C990I

Caple 92cm TFT Induction Hob Sense Premium

Part Number	Description
A28956/0	Glass hob top
A28695/0	Rear left inductor
A28694/0	Front left inductor
A28698/0	Front centre inductor
A28696/0	Rear right & rear centre inductor
A28697/0	Front right inductor
A28701/0	Display PCB
A28703/0	On/Off board
A28688/0	Left generator
A28689/0	Centre generator
A28686/0	Right generator
A10153/0	Worktop gasket
A14252/0	Connection cable
A10042/0	Cable grip
A27455/0	Cover connection box
AKIT1030	All 3 generators

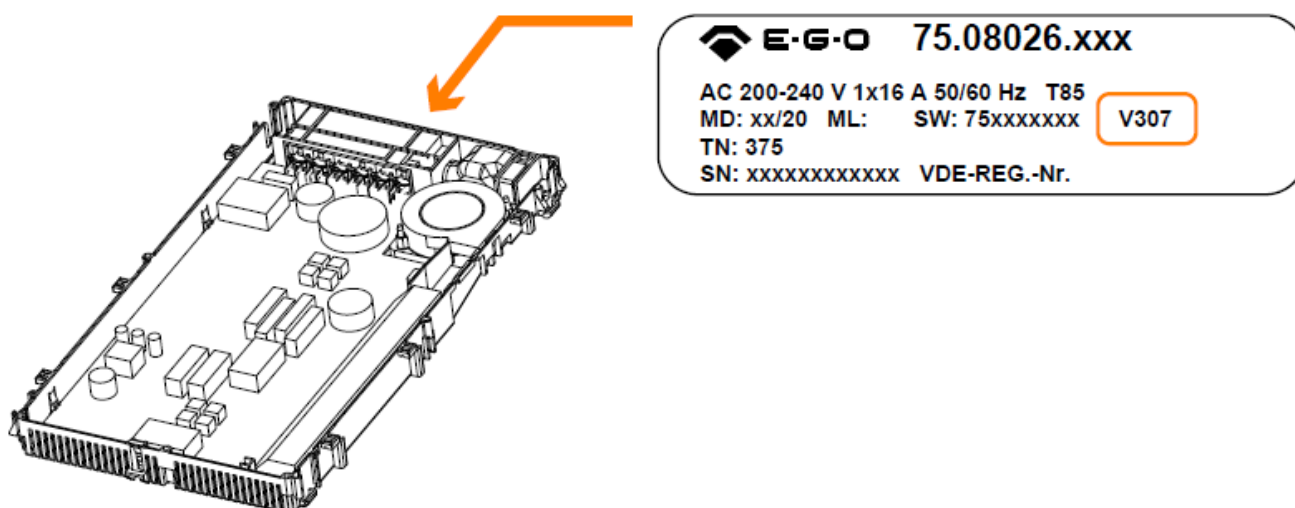
C990I

Caple 92cm TFT Induction Hob Sense Premium

## Generator replacement

In the case of the replacement of generator(s), the first step will be to check the version of the generator on

The label stuck on the back of the defective part



If the generator version is **V3.07**:

- The 3 generators will have to be replaced.
- Order and use the reference: **AKIT1030**.
- The reference AKIT1030 is a kit including the 3 generators with version V3.08 or higher.

If the generator version is **V3.08 or higher**:

- Order and use only the part number that is defective.

### NOTE:

For support, use the document Advices and Help D46490 (index -0 or higher) and the document Wiring diagram D46493 (index -0 or higher) before disassembling the cook top.

It contains tips and explanations to understand and assist in the disassembly of the inductors.