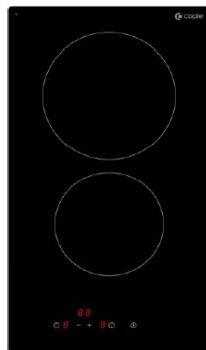




# C893C

Caple modular 2 zone ceramic

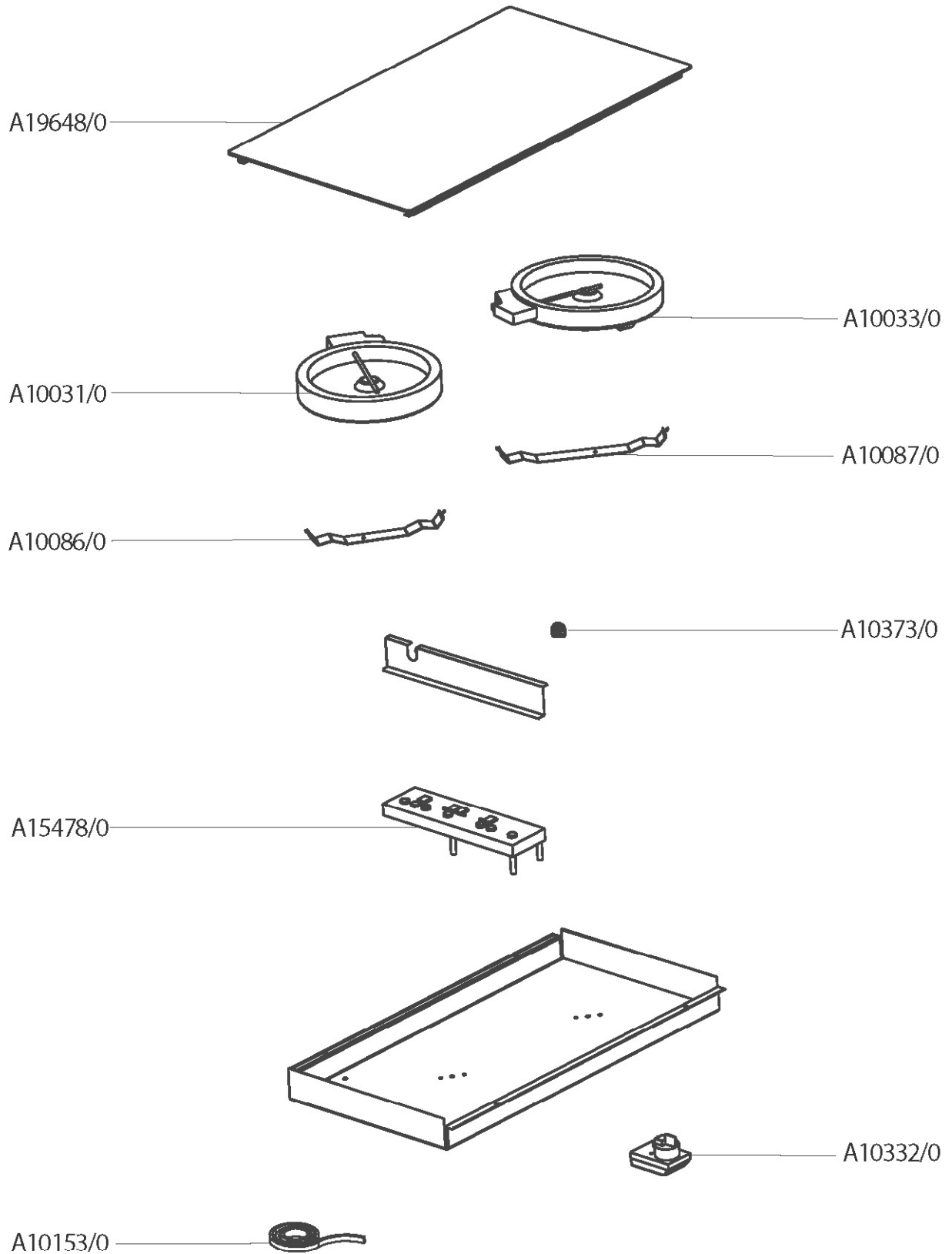


## Technical information



# C893C

Caple modular 2 zone ceramic





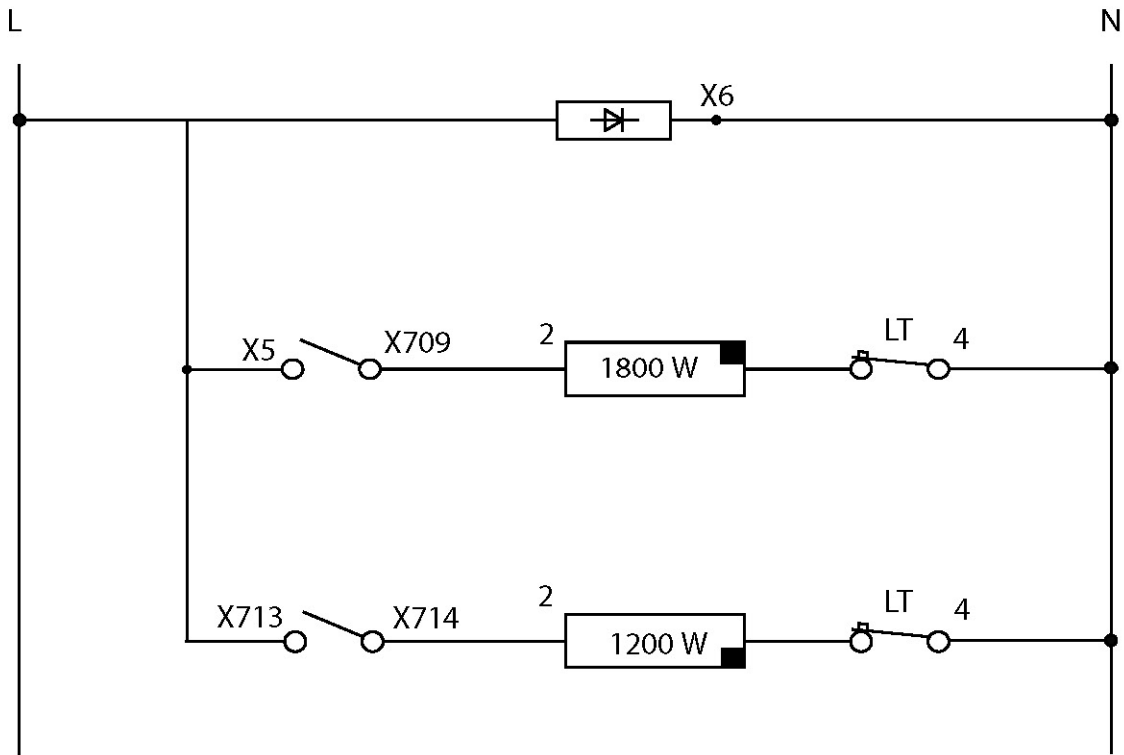
## C893C - Caple modular 2 zone ceramic

Item	Part Code	Description	Qty
A10031/0	A10031/0	HEATING ZONE 1200W 145MM	
A10033/0	A10033/0	HEATING ZONE 1800W 180MM	
A10086/0	A10086/0	SPRING FOR HEATING ZONE	
A10087/0	A10087/0	SPRING HEATING ZONE 180	
A10153/0	A10153/0	GASKET FOR WORKTOP	
A10332/0	A10332/0	CONNECTION BOX	
A10373/0	A10373/0	WIRING PROTECTION	
A15478/0	A15478/0	TOUCHCONTROL HL 2Z TIMER	
A19648/0	A19648/0	GLASS COVER	



# C893C

Caple modular 2 zone ceramic



## ADVICE & HELP / AFTER SALES HILIGHT TC ULC DOMINO

1. To detect the wrong breakdowns :
- 2.

### 1-1 Connection to the electric network:

- Control the tightening of the screws of the connection box
- Control if the earth wire (green/yellow) is connected

FR
GB

**L = phase**

**N = neutral**

**Earth = obligatory**

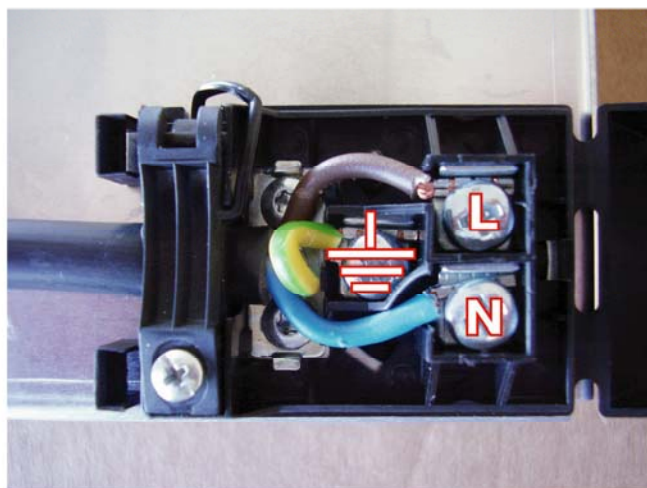
**alimentionation cable:** advised with fasten terminal wires (see photograph)

**tightening of the screws:** with a cruciform screwdriver.

The checking of the connection and tightening has to be made before any intervention on the hob.

A bad tightening can be at the origin of a breakdown

If a bridging is not made correctly or if a screw is badly tightened, the hob does not switch on (no reaction) because the touch control is not supplied.



### 1-2 Installation:

- Control the installation of the gasket under the glass.
- If the glass is glued with silicone → leave the glass in place and dismount the steel case under the work plan.

### 1-3 Quality of the pans:

- Use only pans with flat bottom.

#### 1-4 Use:

- To start the hob it is necessary to keep the key [O/I] pressed during 2 to 3 seconds.
- During the first times of use, the cooking appliance will release a smell of „new“.
- 
- The alternative on and off switching of a heating zone (even in “9” setting) is a usual running which allows a perfect temperature regulation.

#### 1-5 Securities:

- In case of overflow, the hob displays an error as soon as 2 keys at least of the control panel are covered with the liquid of overflow.

FR  
GB

### 3. To determine the breakdown according to the indications of the control panel.

<u>Display</u>	<u>Designation</u>	<u>Description</u>
0	zero	the heating zone is activated
1...9	level of power	selection of the cooking level
E	Error message	electronic failure
H	residual heat	heating zone is hot

#### 2-1 Fast starting :

With the connection of the hob to the electric network, four « 8 » appears and then get off.



After that, press the key O/I, two « 0 » appears.



If no handling is made within 20 seconds, everything switches off.



Therefore, before the 20 seconds, press the cooking zone key selection you want to use (while having put before a pan with water, a pan which external bottom has been wiped in order to avoid from any scratching of the glass). The cooking zone display lights up more strongly.

Then, either press the key « + » to increase from 1 to 9, or press the key « - » to decrease from 9 to 1.

## 2-2 Locking « L »

### To lock the hob:

Press the key [0/I] (On/Off)

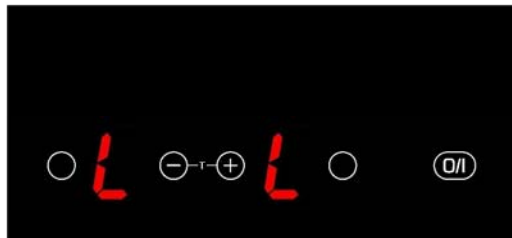
Press and hold of the key «» and then press the key of the rear cooking zone «».

These operations have to be done within maximum 10 seconds, or else it will be necessary to start again by stopping the hob (key [0/I] (On/Off)).

Once these operations done, the “L” appears on the hob



That corresponds to a main switch, nobody can start the hob anymore (children security) and the hob can be cleaned without fear to put it in function.

FR  
GB



### To unlock the hob:

Press the key [0/I] (On/Off)

Press and hold of the key «» and then press the key of the rear cooking zone «».

These operations have to be done within maximum 10 seconds, or else it will be necessary to start again by stopping the hob (key [0/I] (On/Off)).

Once these operations done, the “L” disappears and the hob can be used again.

### Caution:

To cancel the security realized on the hob, it is imperative:

- either to wait for 20 seconds so that the control lights switches off,
- or to press the key [0/I] (On/Off) to stop the hob.

If a short circuit occurs after having been put in the security does not cancel the locking.

The electronic keeps indeed this security in memory and at the moment of the re-connexion, the “L” will appear while pressing the key [0/I] (On/Off)

## ERROR CODIFICATION

Error code	Description	Potential failure	What to do!
Er 03 and "bip,bip sound"	Touch constantly used - Fingertouch switches-off after 10s.	Water or pan or cutlery on the glass over the touchcontrol.	Cleaning the glass surface in the area of the fingertouches or removing the pot.
Er21	Fingertouch cuts-off after the power setting.	The temperature of the environment of the electronic devices is too high.	Cool down the hob & check if the air-inlet of the fan is free.
Er22	Fingertouch switches-off after 3.5s - 7s.	Court-circuit or interruption is the sensor analysis.	Replace the Touch Control.
Er26	Relay with default.	Welding defect.	Replace the Touch Control.
U400	The secondary voltage is too high (primary > 300V). The Touch Control switches-off after 1s and a beep is emitted.	The touch Control is badly connected to the network.	Reconnect correctly the hob.
Er20	Fingertouch programm error	Micro-processor default	Replace the Touch Control.
Er36	The NTC is out of tolerance (<200mV or > 4.9V). The Touch Control is off.	Short circuit at NTC.	Replace the Touch Control.