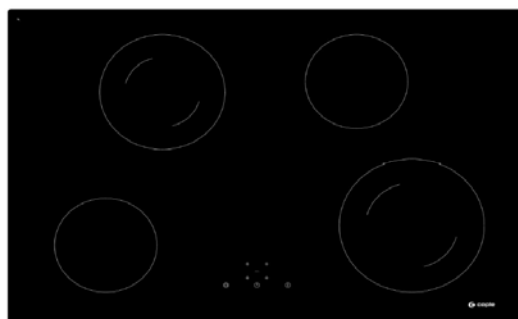




C824C

Caple 78cm ceramic hob

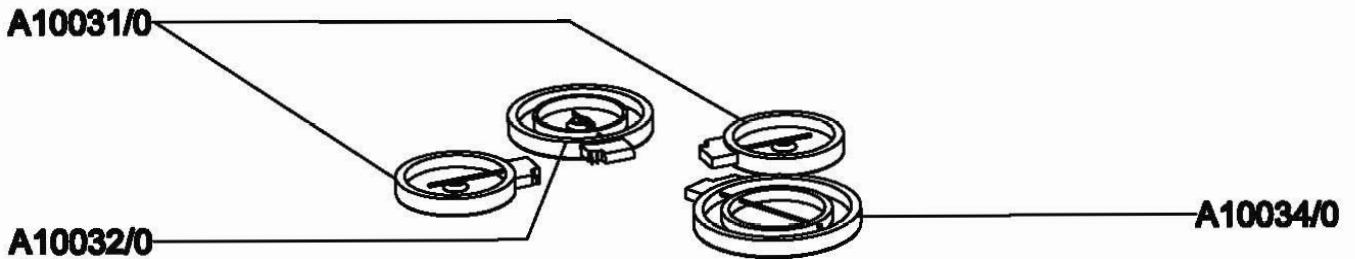
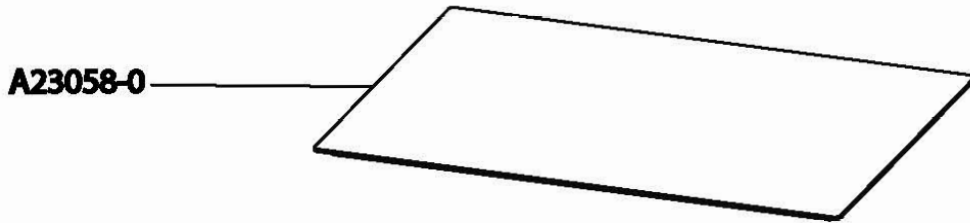


Technical information

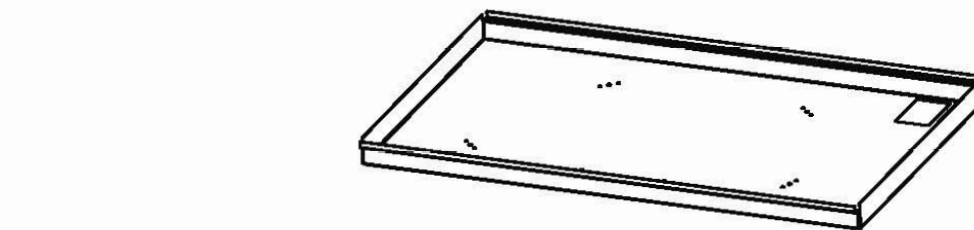
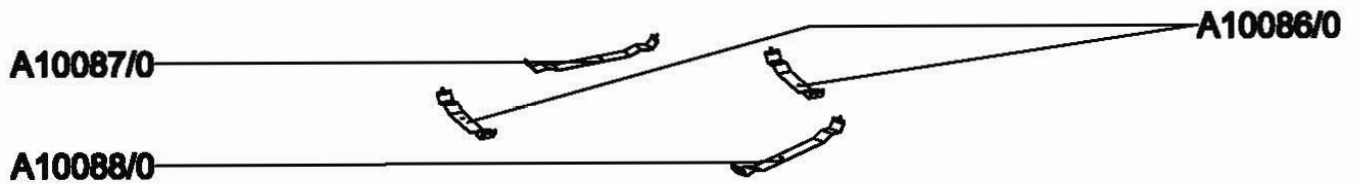
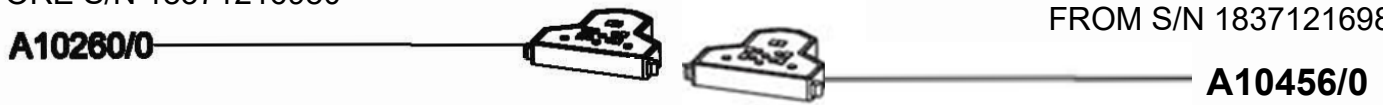


C824C

Caple 78cm ceramic hob



BEFORE S/N 18371216980





C824C - Caple 78cm ceramic hob

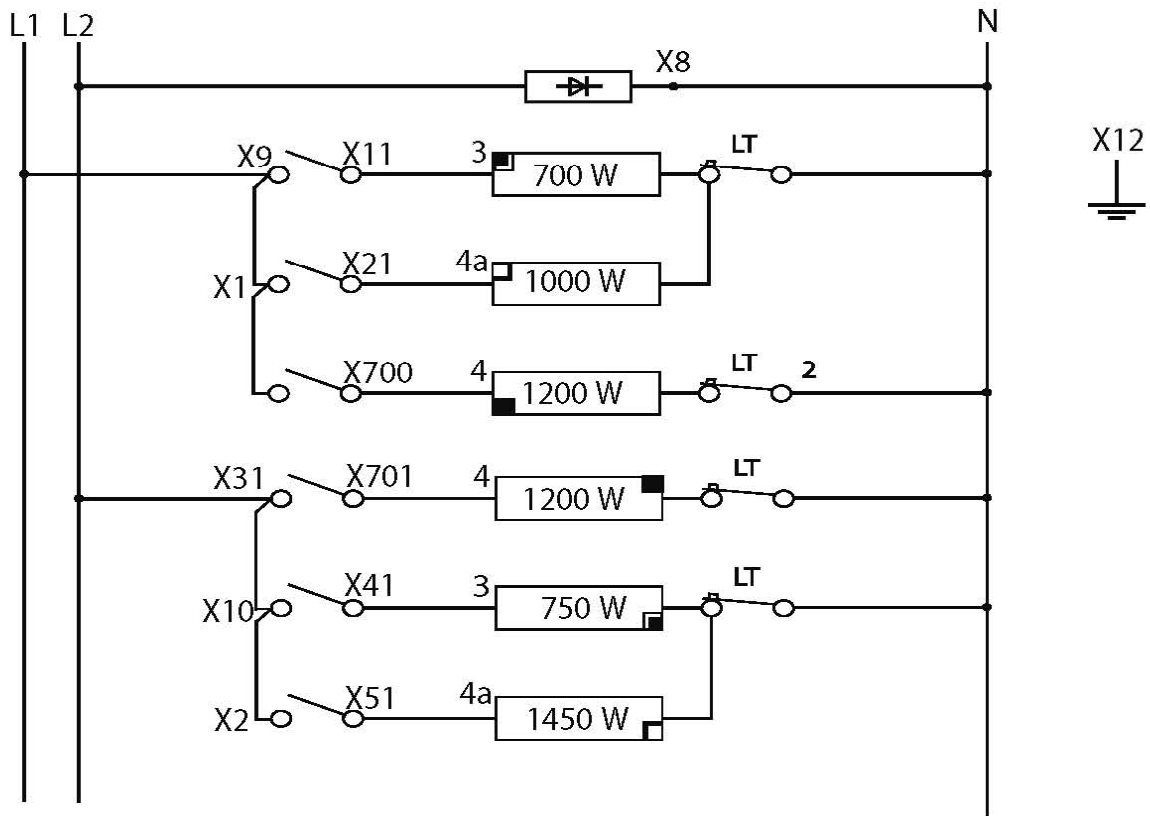
Item	Part Code	Description
1	A23058-0	GLASS COVER
2	A10031-0	HEATING ZONE 1200W 145MM
3	A10032-0	HEATING ZONE 1700/700W 18
4	A10034-0	HEATING ZONE 2200/1000W
5	A10260-0	TOUCH CONTROL BEFORE S/N 18371216980
5	A10456/0	TOUCH CONTROL FROM S/N 18371216980
6	A10086-0	SPRING FOR HEATING ZONE
7	A10087-0	SPRING HEATING ZONE 180
8	A10088-0	SPRING HEATING ZONE 210
9	A10252-0	CONNECTION BOX
10	A10153-0	GASKET FOR WORKTOP
11	A10154-0	CONNECTION CABLE



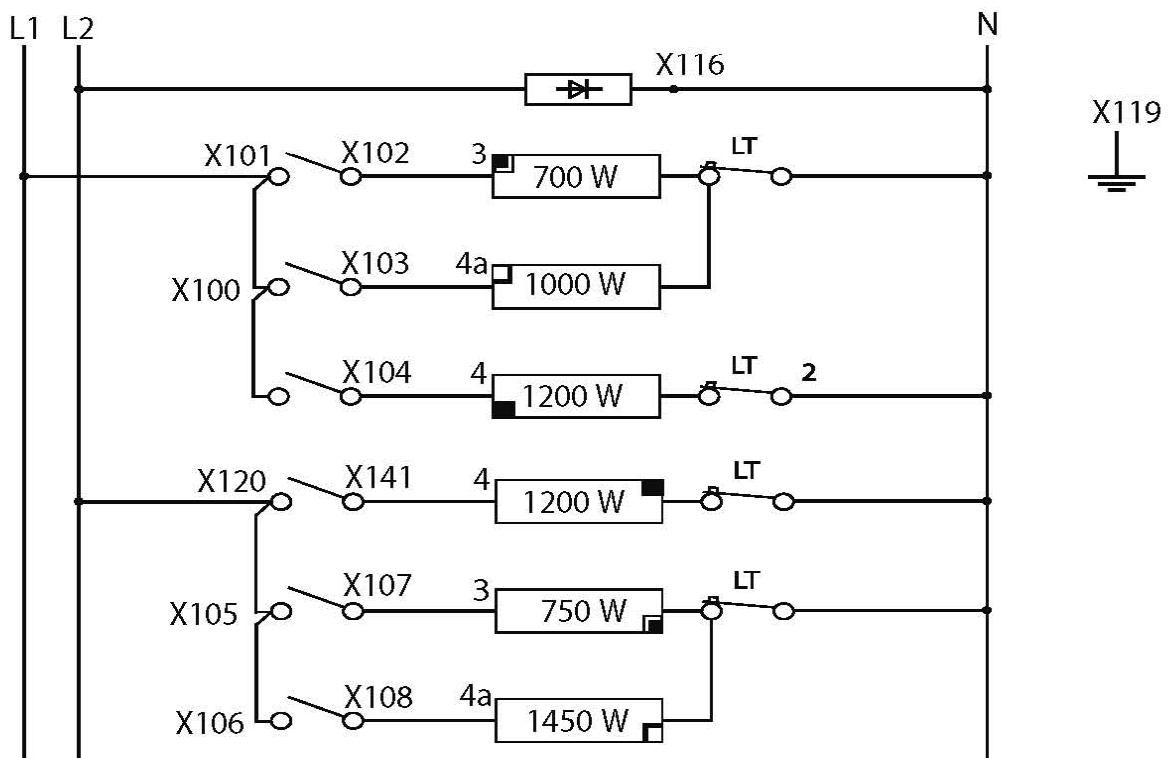
C824C

Caple 78cm ceramic hob

TOUCH CONTROL REF : 75.13037.800



TOUCH CONTROL REF : 75.13137.800



ERROR CODIFICATION

Error code	Description	Potential failure	What to do!
Er 03 and "bip,bip sound"	Touch constantly used - Fingertouch switches-off after 10s.	Water or pan or cutlery on the glass over the touchcontrol.	Cleaning the glass surface in the area of the fingertouches or removing the pot.
Er12	Fingertouch switches-off after 10s.	Short circuit in the 5V power relays or mass.	Replace the Touch Control.
Er13	Fingertouch switches-off after 60s.	Touch Control is defect.	Replace the Touch Control.
Er21	Fingertouch cuts-off after the power setting.	The temperature of the environment of the electronic devices is too high.	Cool down the hob & check if the air-inlet of the fan is free.
Er22	Fingertouch switches-off after 3.5s - 7s.	Court-circuit or interruption is the sensor analysis.	Replace the Touch Control.
Er25	The secondary voltage is too high (primary> 300V). The Touch Control switches-off after 1s and a beep is emitted.	The touch Control is badly connected to the network.	Reconnect correctly the hob.
Er36	The NTC is out of tolerance (<200mV or> 4.9V). The Touch Control is off.	Short circuit at NTC.	Replace the Touch Control.
Er39	Er39 blinking.	Error of software programming	Replace the Touch Control.
U4	U 4 blinking.	Hob connected on 400V network.	Disconnect the hob from the network and connect the hob right.

AFTER SALES

1. To detect the wrong breakdowns:

1-1 Connection to the electric network:

- Control the tightening of the screws of the connection box
- Control the section of the cables used (see manual of use)
- Control if the earth wire (green/yellow) is connected

1+2 = phase

4 = neutral

3 = no connection

Earth = obligatory

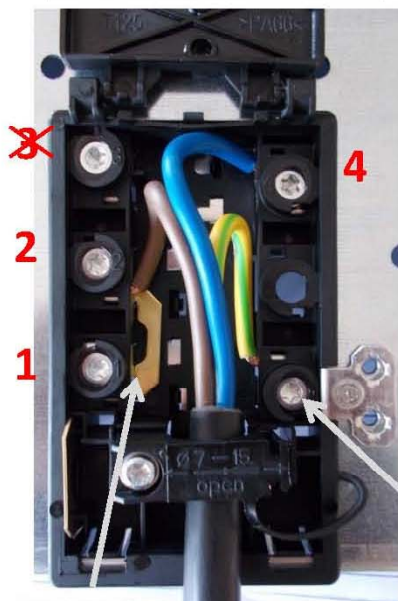
Alimentation cable: advised with fasten terminal wires (see photograph)

Tightening of the screws: either with a cross screwdriver (PZ N°2), or with a Torx screwdriver (T20 footprint) according to the type of terminal block.

The checking of the connection and tightening has to be made before any intervention on the hob.

A bad tightening, a bridge wrong located or a wrong connected terminal can be at the origin of a breakdown.

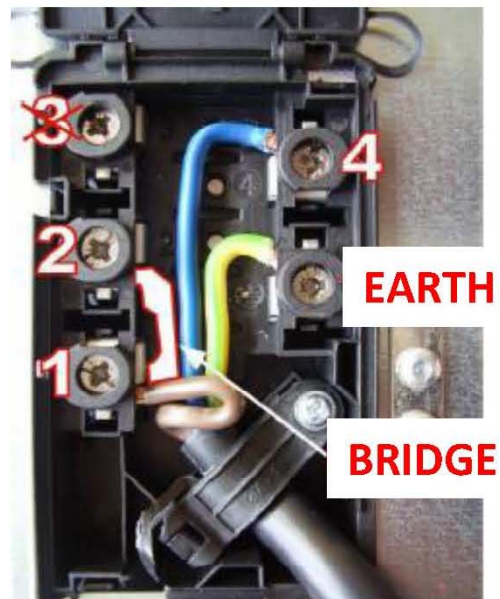
Torx screw terminal block



BRIDGE



Philips screw terminal block



EARTH

BRIDGE

1-2 Installation:

- Control the installation of the gasket under the glass.
- If the glass is glued with silicone → leave the glass in place and dismount the steel case under the work plan.

1-3 Quality of the pans:

- Use only pans with flat bottom.

1-4 Use:

- To start the hob it is necessary to keep the key [0/I] pressed during 2 to 3 seconds.
- During the first times of use, the cooking appliance will release a smell of „new“.
- The alternative on and off switching of a heating zone (even in “9” setting) is a usual running which allows a perfect temperature regulation.

1-5 Securities:

- In case of overflow, the hob stops as soon as 2 keys at least of the control panel are covered with the liquid of overflow.

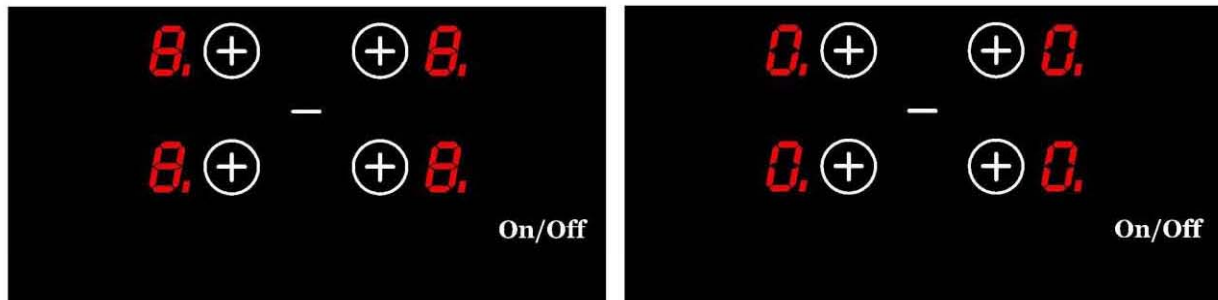
2. To determine the breakdown according to the indications of the control panel

<u>Display</u>	<u>Designation</u>	<u>Function</u>
0	zero	the heating zone is activated
1...9	level of power	selection of the cooking level
E	Error message	electronic failure
H	residual heat	heating zone is hot
L	locking	the hob is protected

2-1 Fast starting:

With the connection of the hob to the electric network, four « 8 » appear and then get off.

After that, press the key On/Off, « 0 » appears with a blinking point (3 or 4 according to the hob).



If no handling is made within 20 seconds, everything switches off.

Therefore, before the 20 seconds, press the key « + » of the cooking zone to use (while having put before a pan with water, a pan which external bottom has been wiped in order to avoid from any scratching of the glass).

Then, either press the key « + » to regulate gradually from 1 to 9 by successive keys, or press the key « - » to regulate while decreasing from 9 to 1 by successive keys.

2-2 Locking « L »

To put the locking of the hob in function:

Press the key On/Off.

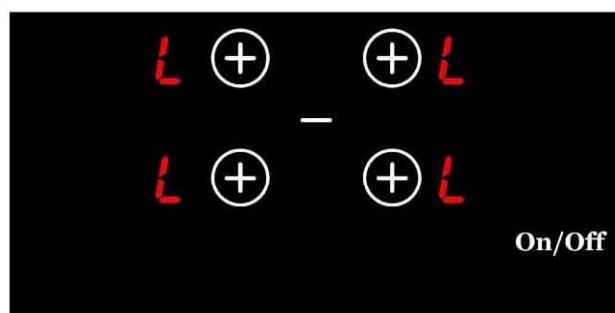
Press at once simultaneously the key « - » and « + » (front right cooking zone for 4 zones hobs and front left cooking zone for 3 zones hobs).

Then press the key « + ».

These 3 operations have to be done within maximum 9 seconds, or else it will be necessary to start again by stopping the hob (key On/Off).

Once these 3 operations done, the « L » appear on the hob (3 or 4 according to the model) and after this they get off; the hob is so locked.

That corresponds to a main switch, nobody can start the hob anymore (children security) and the hob can be cleaned without fear to put it in function.



To unlock the hob:

Press the key On/Off.

Press at once simultaneously the key « - » and « + » (front right cooking zone for 4 zones hobs and front left cooking zone for 3 zones hobs).

Then press the key « - ».

These 3 operations have to be done within maximum 9 seconds, or else it will be necessary to start again by stopping the hob (key On/Off).

Once these 3 operations done, the “L” disappear and the hob can be used again.

Caution:

To cancel the security realized on the hob, it is imperative:

- Either to wait 20 seconds so that the control lights switches off,
- Or to press the key On/Off to stop the hob.

If a short circuit occurs after having been put in security, that does not cancel the locking.

The electronic keeps indeed this security in memory and at the moment of the re-connection, the “L” will appear while pressing the key On/Off.