



# CR9209

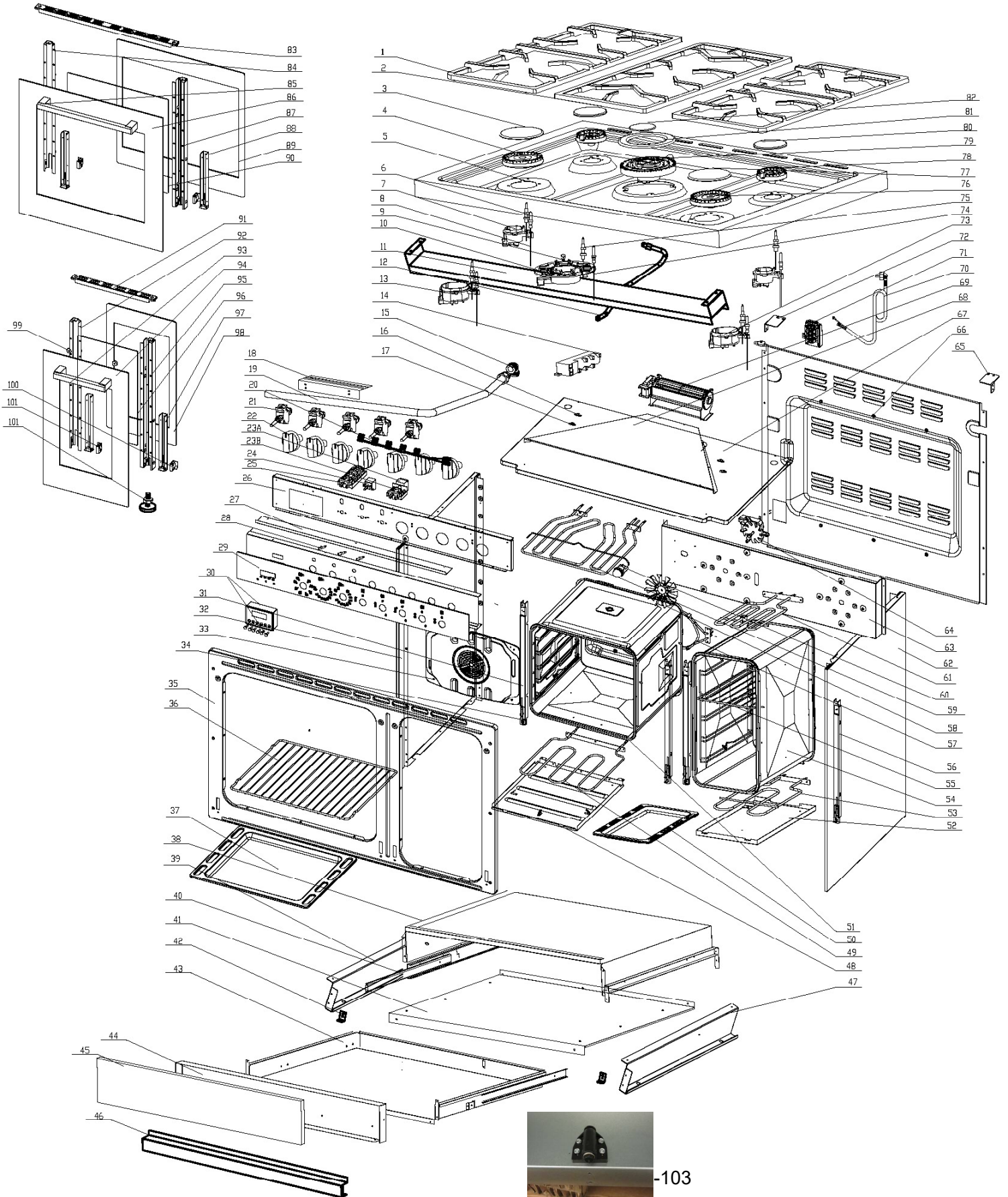
## Caple 900mm Range Dual Fuel



### Technical information

## CR9209

Caple 900mm Range Dual Fuel





## CR9209 - Caple 900mm Range (Dual Fuel)

Item	Part Code	Description	Qty
1	PA210004001	pan support	2
2	PA210004002	pan support	1
3	PA210003001	rapid burner cap-matte	2
4	PA210001002	rapid burner cap-matte	2
5	XZ200012000	panel	1
6	PA210006000	thermocouple	2
7	PA210002022	burner base --rapid	2
8	PA210005000	Ignition pin	2
9	PA2100007004	nozzle	1
10	PA210002020	burner base --rapid	1
11	SP200008003	burner bracket	1
12	PA210016075	Aluminium tube	1
13	PA210002021	burner base --rapid	1
14	PA210034000	Pulse ignitor	1
15	PA210011000	copper elbow	1
16	PA210030001	Cooling controller	2
17	PA210031000	overheat protector	1
18	SP200057006	pipe holder	1
19	PA210012036	Inlet pipe assembly	1
20	PA210038000	microswitch	1
21	PA210015000	valve	1
21	PA210015002	valve	2
21	PA210015001	valve	1
21	PA210015003	valve	1
22	PA210039005	Knob	8
23A	PA210036005	Thermostat switch for small oven	1
23B	PA210032006	function switch for small oven	1
24	PA210036000	Thermostat switch for main oven	1
25	PA210032013	Function switch for main oven	1
26	SP200083002	cavity front panel connecting board	1
27	SP200015000	panel fixing connecting board	1
28	PA210037005	indicator lamp	3
29	SP200007086	switch board	1
30	PA210035000	Timer	1
30	PA210077000	timer button	6
31	SP220001021	rear grillback plate	1
32	XZ200017039	side board	1
33	SP200032002	cavity bracket	2
34	SP230078006	hinge fixing board	1
34	SP230078002	hinge fixing board	1
35	SP220035068	cavity front panel	1
36	PA210027001	shellf	2
37	SP220027003	grease tray	1
37	SPZZ0027004	grease tray	1



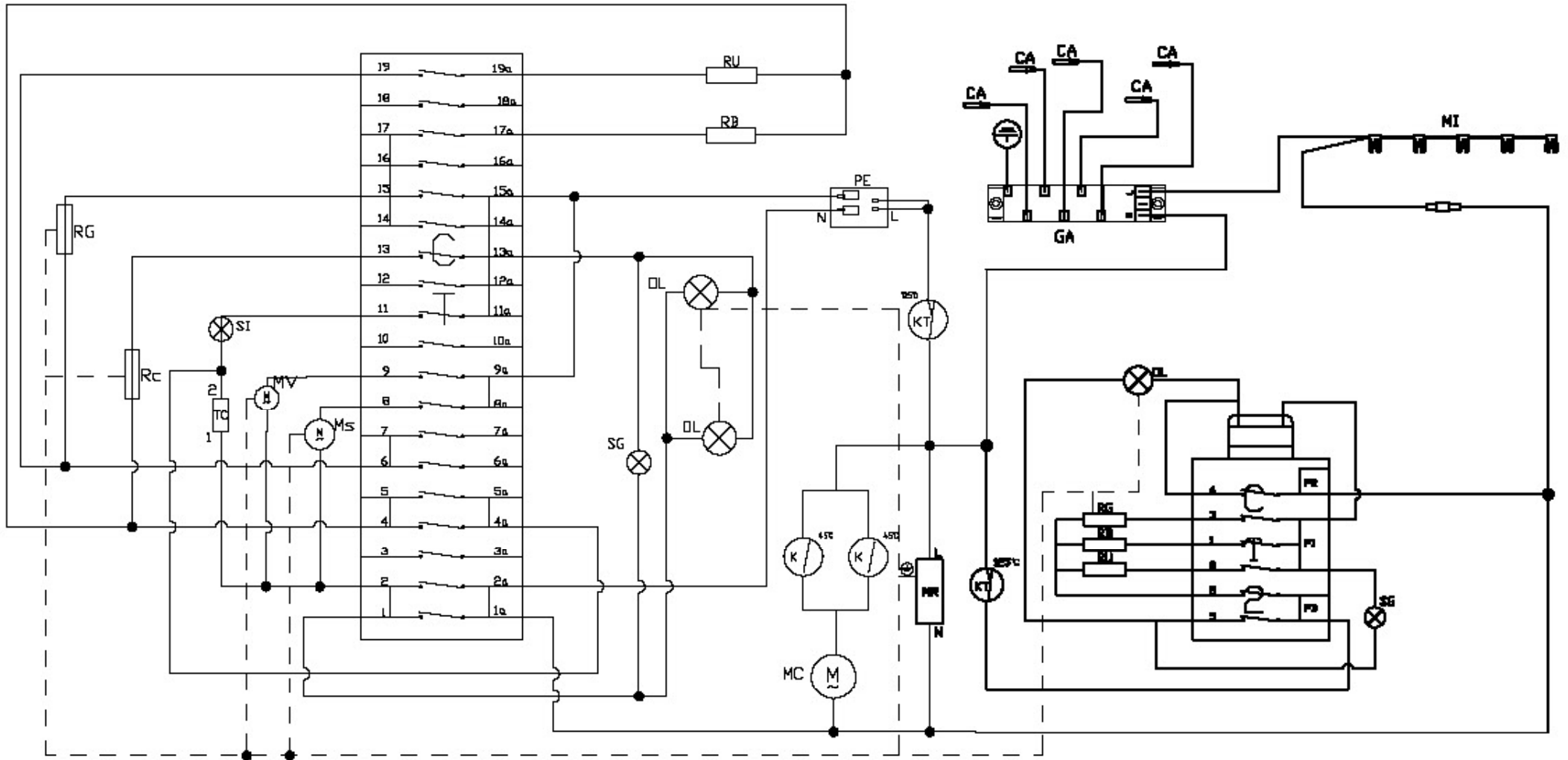
## CR9209 - Caple 900mm Range (Dual Fuel)

Item	Part Code	Description	Qty
38	SP240022008	The baffle for inner cavity	1
39	SP200029014	stand bar	1
40	PA210048002	sliding rail	2
41	SP200006007	fixing plate	1
42	SP200031003	fixed plate	2
43	SP240018003	Inner door plate	1
44	SP240020001	Inner door plate	1
45	SP200019022	Inner door panel	1
46	SP200030008	fixed board	1
47	SP200029015	stand bar	1
48	PA210069000	bottom grillfixed bracket	1
49	PA210008013	base element	1
50	SP220027006	grease tray	1
51	SP220024061	cavity assembly	1
52	SP200003001	bottom grillfixed bracket	1
53	PA210008024	base element	1
54	SP220024062	cavity assembly	1
55	PA210027004	shelf	1
56	SP200032003	cavity bracket	2
57	PA210008004	fan element	1
58	PA210010000	blade	1
59	PA210008028	top element	1
60	PA210053000	lamp assembly	2
61	PA210008023	top element	1
62	XZ200017038	side panel	1
63	SP200063001	back bracket	1
64	PA210009011	motor	1
65	SP200016004	panel back fixed bracket	1
66	SP200004034	back cover board	1
67	SP200026003	The flue bottom board	1
68	SP200025001	Discharge flue	1
69	PA210009008	Cooling fan	1
70	PA210025000	connecting wire	1
71	PA210055003	connecting box	1
72	SP200016005	panel back fixing bracket	1
73	PA210002023	Burner base--auxiliary	1
74	PA210005002	Ignition pin	1
75	PA210006003	thermocouple	1
76	PA210001001	Triple burner cap	1
77	PA210003000	Triple burner cap-matte	1
78	PA210001003	auxiliary burner cap-matte	1
79	PA210001013	burner cap	1
80	PA210003003	auxiliary burner cap-matte	1
81	PA210003028	burner cap-triple	1
82	PA210003027	burner cap--auxiliary	1
83	SP230014003	door upper bracket	1
84	SP230014000	door frame bracket	1
85	PA210052044	handle assembly	1



## CR9209 - Caple 900mm Range (Dual Fuel)

Item	Part Code	Description	Qty
86	PA210017192	glass	1
87	SP230014001	door frame bracket	1
88	PA210040009	hinge	2
89	PA210017115	glass	1
90	PA210017116	glass	1
91	SP230014004	door upper bracket	1
92	SP230014000	door frame bracket	1
93	PA210052045	handle assmebly	1
94	PA210017118	glass	1
95	SP230014001	door frame bracket	1
96	PA210017193	glass	1
97	PA210040007	hinge	2
98	PA210017118	glass	1
99	PA210137003	handle fixed cover	4
100	PA210021005	inner door glass fixed board	2
101	PA210021006	inner door glass fixed board	2
102	PA210018003	Non-slip feet	4
103	30202400001	Magnet	1
	2041000003	small cavity door seal	1
	2041000009	large cavity door seal	1



MR TERMINAL BOX  
 DL OVEN LIGHT  
 RB BOTTOM HEATING  
 RE CIRCULAR HEATING ELEMENT  
 RG GRILL HEATING ELEMENT  
 RU UPPER HEATING ELEMENT  
 MV VENTILATOR  
 MC COOLING FAN  
 MS SPIT MOTOR  
 TC THERMISTOR

TC THERMOSTAT ON CONTROL PANEL  
 PE ELETR PROGRAMMER  
 SI THERMISTOR SIGNAL LAMP  
 SG OPERATION SIGNAL LAMP  
 KT CUT OFF  
 HIL HEAT INDICATION LAMP  
 DCHE DUAL CIRCUIT HEATING ELEMENT  
 SCHE SINGLE CIRCUIT HEATING ELEMENT  
 ICER DOUBLE CIRCUIT ENERGY REGULATOR  
 SCER SINGLE CIRCUIT ENERGY REGULATOR

**caple**

**CR9209**

Caple 900mm Range Dual Fuel