

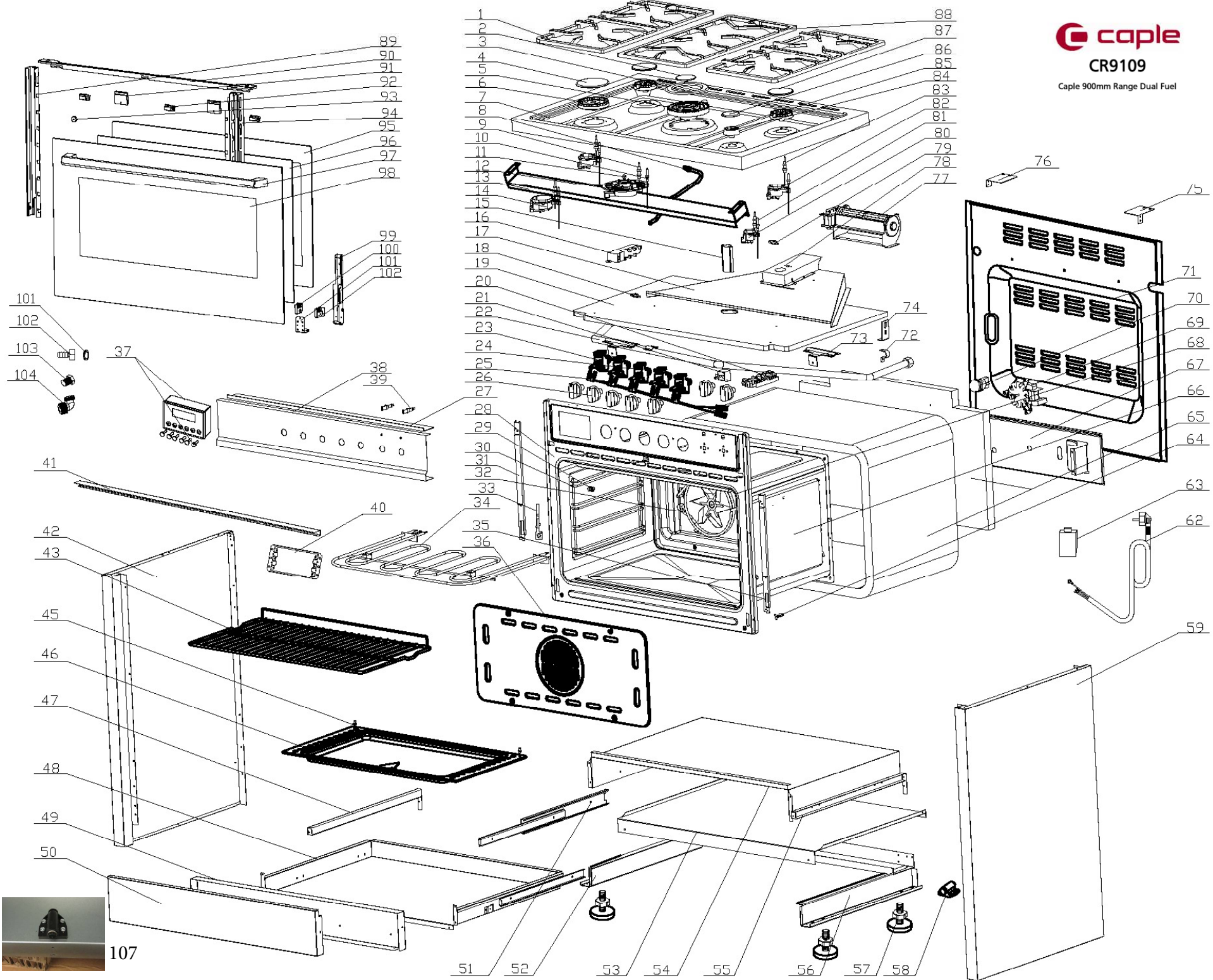


CR9109

Caple 900mm Range Dual Fuel



Technical information





CR9109 - Caple 900mm Range Dual Fuel

Item	Part Code	Description	Qty
1	PA210004001	pan support	2
2	PA210003027	semi-rapid cap-matte	1
3	PA210003028	triple burner cap-matte	1
4	PA210003000	rapid burner cap-matte	1
5	PA210001013	burner cap	1
6	PA210001001	triple burner cap	1
7	XZ200012000	panel assembly	1
8a	PA210016007	aluminium tube	1
8b	PA210016006	aluminium tube	1
8c	PA210016003	aluminium tube	1
8d	PA210016005	aluminium tube	1
8e	PA210016000	aluminium tube	1
9	PA210006003	thermocouple	1
10	PA210005002	Ignition pin	1
11	PA210007011	nozzle	1
12	PA210002020	burner base	1
13	SP200008003	burner support	1
14	PA210002021	burner base	1
15	PA210029000	Discharge tube	1
16	PA210034000	pulse igniter	1
17	SP200025000	Discharge flue	1
18	PA210030000	Cooling controller	1
19	SP200026003	Discharge flue bottom panel	1
20	PA210032015	Function switch	1
21	PA210036008	Thermostat switch	1
22	PA210012011	Inlet pipe assembly	1
23	PA210015001	valve assembly	1
24	PA210015000	valve assembly	1
25	PA210038000	microswitch	1
26	PA210039023	knob	7
27	SP200015002	panel fixing connecting board	1
28	SP220035023	cavity front panel	1
29	PA210049000	left and right bracket	2
30	PA210042000	sliding guide fixing axis	2
31	SP200032003	cavity bracket	1
32	PA210008045	fan element	2
33	SP230078002	hinge fixing board	1
34	PA210008007	grill element	1
35	SP200032002	cavity bracket	1
36	SP220001014	back grill back plate	1
37a	PA210035000	timer	1
37b	PA210077000	timer button	6
38	SP240007095	switch board	1
39	PA210037005	indicator lamp	2



CR9109 - Caple 900mm Range Dual Fuel

Item	Part Code	Description	Qty
40	SP200002000	program controller fixing board	1
41	SP200063001	back bracket	1
42	XZ200017000	side board assembly	1
43	PA210027000	shelf	1
45	PA210057000	grease tray guide pin	2
46	SP220027002	grease tray	2
47	SP200005003	Slide strip -left	1
48	SP240018003	Inner door plate	1
49	SP240020001	Inner door plate	1
50	SP240019009	Inner door panel	1
51	PA210048002	sliding rail	1
52	SP200029018	stand bar	1
53	SP200006011	fixing plate	1
54	SP200022001	The baffle for inner cavity	1
55	SP200005002	Slide strip -right	1
56	SP200029019	stand bar	1
57	PA210018003	Non-slip feet	4
58	PA210061000	spring button	1
59	XZ200018001	side board assembly	1
62	PA210025000	connection wire	1
63	PA210055000	connection box	1
64	PA210033000	temperature probe fixing	2
65	PA210046000	cavity insulation fibre	0.056
66	SP220024008	cavity assembly	1
67	SP200023004	cavity back fixed bracket	1
68	XZ200004000	door seal	1
69	PA210009009	motor	1
70	PA210053000	lamp assembly	2
71	SP200004009	back cover	1
72	SP200057001	pipe holder	2
73	SP200057006	pipe holder	1
74	SP200056000	inlet pipe plate	2
75	SP200016004	panel back rear fixed bracket	1
76	SP200016005	panel back rear fixed bracket	1
77	PA210009008	motor	1
78	SP200033000	Discharge flue plate	1
79	PA210031014	overheat protector	1
80	PA210002023	Burner base--auxiliary	1
81	PA210005001	Ignition pin	2
82	PA210002022	Burner base--rapid	2
83	PA210006000	thermocouple	2
84	PA210001003	auxiliary burner cap	1
85	PA210001002	rapid burner cap	2
86	PA210003003	auxiliary burner cap-matte	1
87	PA210003001	rapid burner cap-matte	2
88	PA210004002	pan support	1
89	SP230014027	door frame left support	1
90	SP230014025	door upper bracket	1



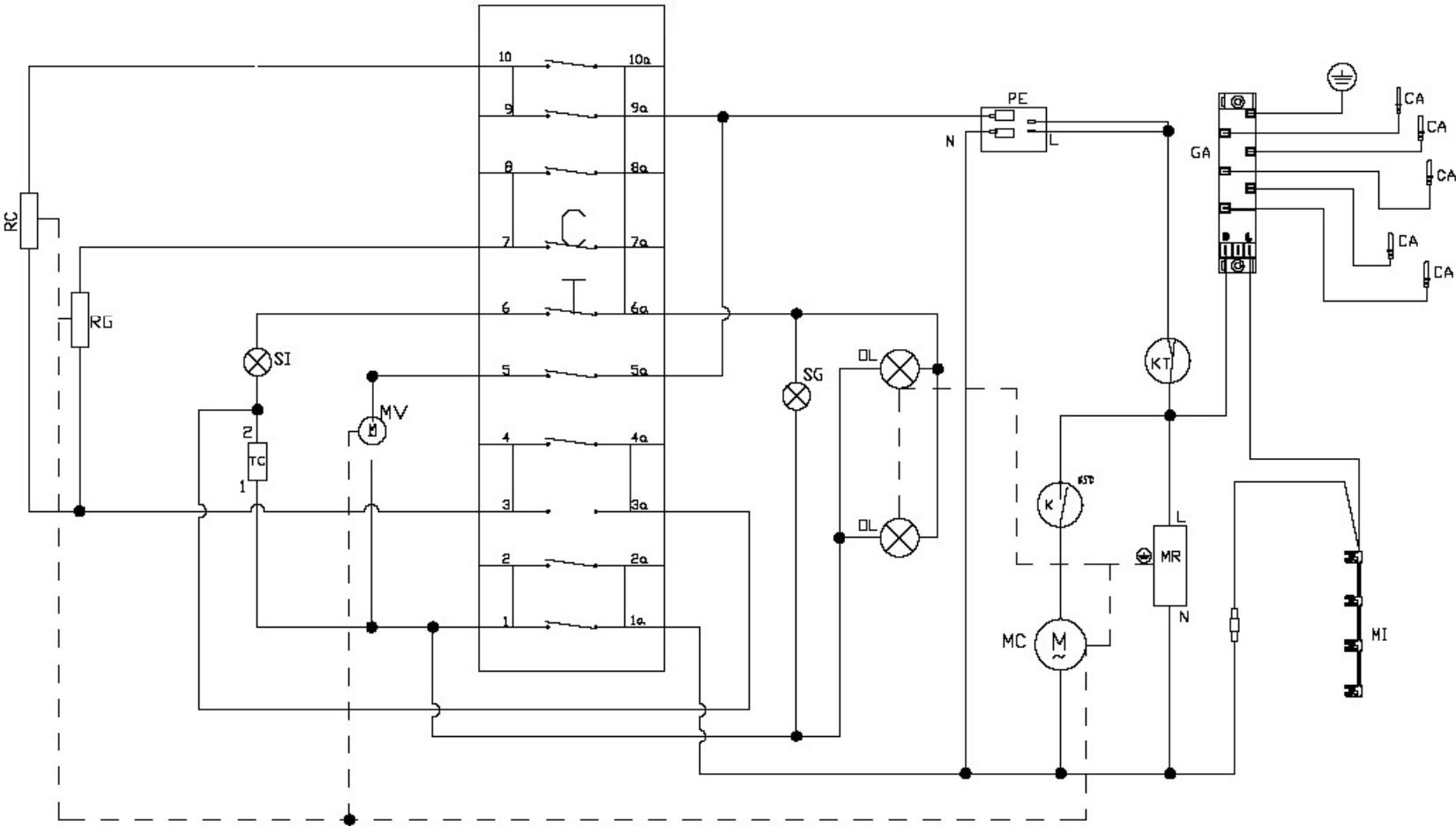
CR9109 - Caple 900mm Range Dual Fuel

Item	Part Number	Description	Qty
91	SP200010000	handle fixed block	2
92	PA210137003	handle fixed cover	2
93	PA210063006	inner glass upper fixed block	3
94	SP230014026	door frame right bracket	1
95	PA210017273	glass	1
96	PA210017274	glass	1
97	PA210052047	handle assembly	1
98	PA210017252	glass	1
99	PA210040006	hinge	2
100	PA210021008	inner glass left fixed block	1
101	PA210063001	glass stop	1
102	PA210021009	inner glass right fixed block	1
103	PA210014001	washer	4
104	PA210113000	inlet connection	1
105	PA210095001	end cap	1
106	PA210011000	copper elbow	1
107	30202400001	Magnet	1



CR9109

Cable 900mm Range Dual Fuel



- MR TERMINAL BOX
- OL OVEN LIGHT
- RC CIRCULAR HEATING ELEMENT
- RG GRILL HEATING ELEMENT
- MV VENTILATOR
- MC COOLING FAN
- MS SPIT MOTOR
- CT COMMUTATOR
- TC THERMOSTAT ON CONTROL PANEL
- PE ELECTRIC PROGRAMMER
- SI THERMOSTAT SIGNAL LAMP
- SG OPERATION SIGNAL LAMP
- GA IGNITION GENERATOR
- CA SPARK PLUG
- MI IGNITION MICRO SWITCH
- KT CUT OFF

--- YELLOW/GREEN