



ZI922

Caple Zodiac Island Hood

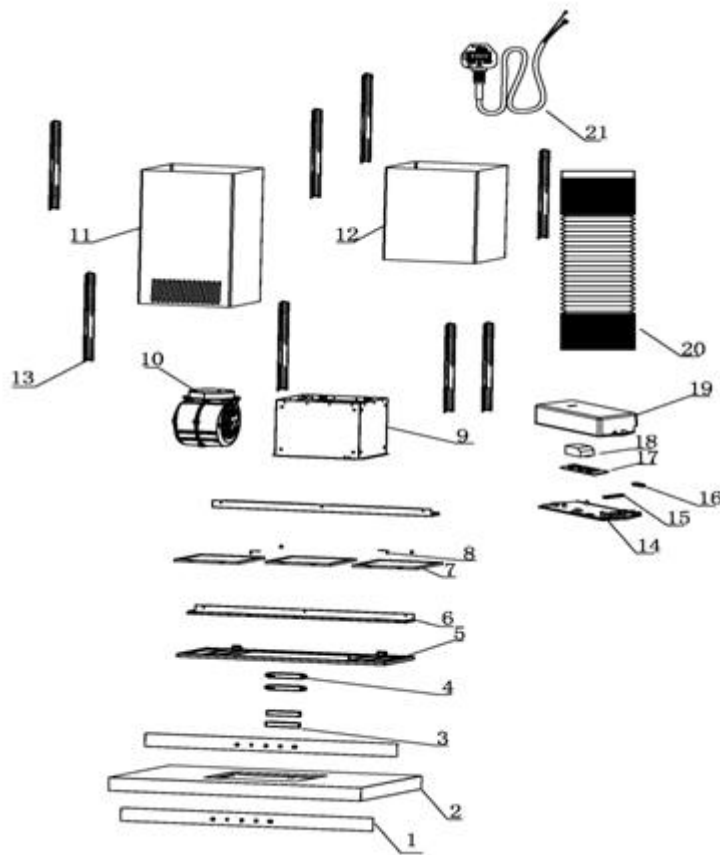


Technical Manual



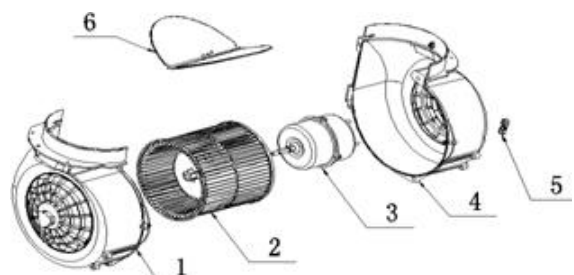
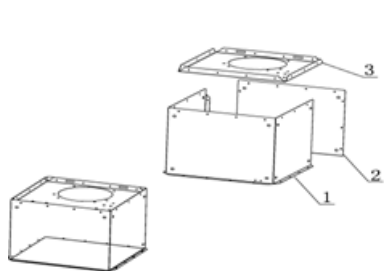
ZI922

Caple Zodiac Island Hood



Motor Breakdown

Chassis Breakdown





ZI922 - Caple Zodiac Island Hood

Position	Part Number	Description	Pcs
For Whole Cooker Hood			
1	B33-2103-081-F05-01-0	Glass panel 900mm	2
2	Not Applicable		1
3	B63-2401-304-0	Switch board(for 2 controls)	2
4	B30-2501-078-0	Switch box button	1
5	B62-2401-402-0	LED lamp assembly	1
6	B20-2810B-015-P		2
7	B35-2502-093-0	Aluminium Filter	3
8	B20-2111-033-P	Hinge	2
9	See Chassis Assembly		1
10	B76-4806-008-B	Motor assembly	1
11	B20-2802-006-P	Upper chimney 600mm	1
12	B20-2810-015-P	Lower chimney 470mm	1
13	B23-2801-015-P	Corner iron	8
14	B30-2501-025-0	PCB Box bottom	1
15	B30-2501-035-0	PCB Box wiring holder	1
16	B30-2201-068-0	Motor wiring holder	1
17	B63-2401-318-0	PCB	1
18	B63-2501-041-0	Transformer	1
19	B30-2501-034-0	PCB Box Lid	1
20	B36-2201-040-0	Ø153 plastic pipe	1
21	B62-2602-043-0	UK BS plug cable	1
For Motor Assembly (B76-4806-008-B)			
1	B30-2301-012-0	Motor housing(left)	1
2	B30-2301-181-0	Blower	1
3	B61-2401-404-0	Motor(A Class)	1
4	B30-2301-013-0	Motor housing(right)	1
5	B30-2201-068-0	Motor housing holder	1
6	B30-2201-022-0	One-way Valve Flap(Air Outlet)	2
For Chassis Assembly			
1	B11-2801-033-B	Casing round assembly	1
2	B11-2801-034-B	Casing back assembly	1
3	B23-2801-005-P	Casing cover assembly	1

