



ZEL900

Zella 90cm Chimney Hood

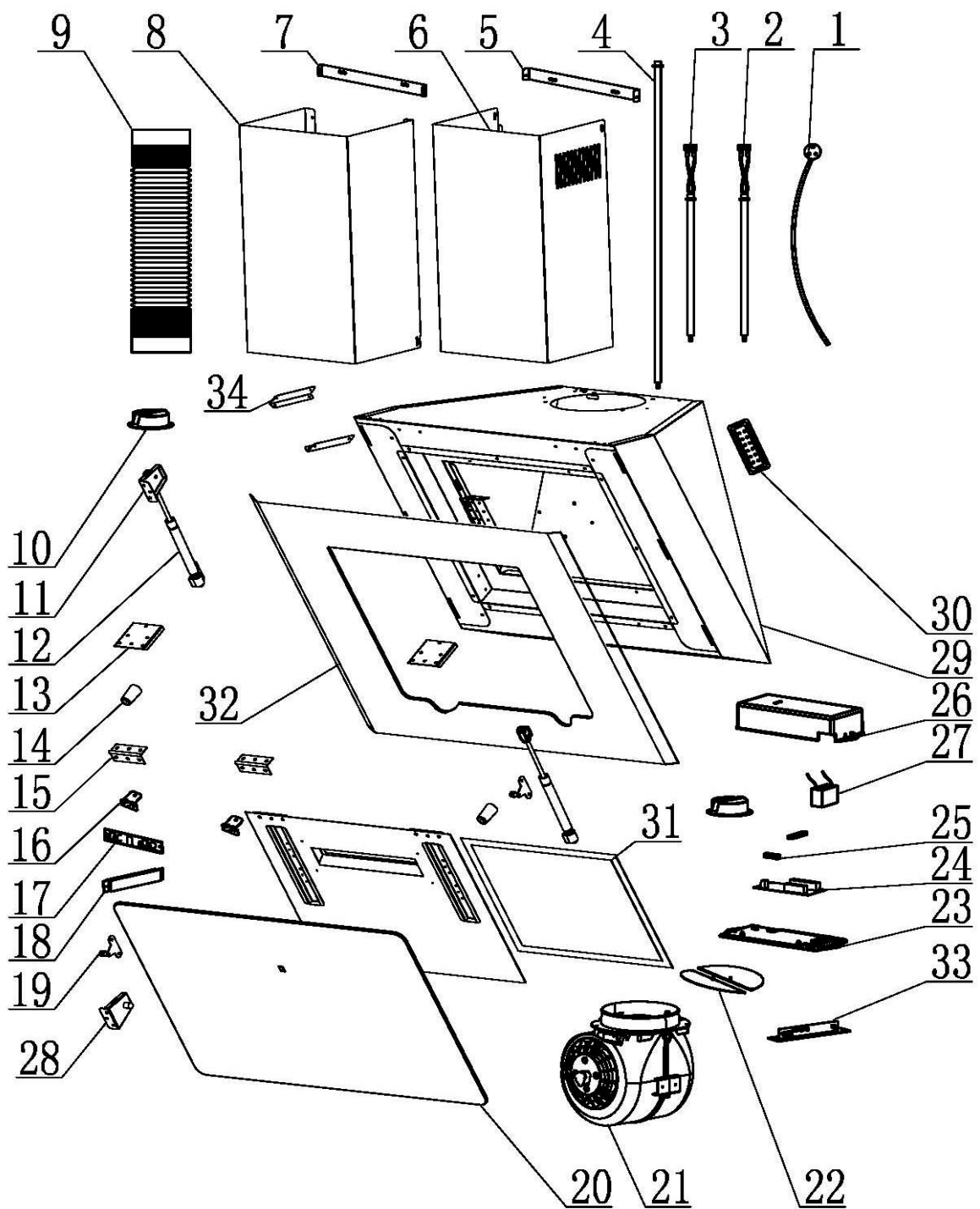


Technical Manual



ZEL900

Zella 90cm Chimney Hood





ZEL900

Zella 90cm Chimney Hood

Item	Part Number	Description	Quantity
1	B62-2701-050-0	UK BS plug cable	1
2	B62-2308-052-0	LED Lamp cable	1
4	B62-2401-375-0	Switch Cable	1
5	B23-2201-008-P	Upper Chimney Support Bracket	1
6	B21-2201-004-3D	Upper Chimney (400MM height)	1
7	B23-2201-010-P	Lower Chimney Support Bracket	1
8	B21-2201-006-3D	Lower Chimney (400MM height)	1
9	B36-2201-040-0	φ153 Plastic Pipe	1
10	B62-2401-175-0	LED Lamp	2
11	B21-2706-006-3	Gas rod support	2
12	B29-2705-131-0	Gas rod	2
13	B21-2723-009-3	Hinge base	2
14	B32-2708-031-0	Rubber column	2
15	C09-2701-016-0	Hinge	2
16	B23-2501-018-P	Switch support	2
17	B63-2501-052-0	Switch board	1
18	B30-2501-078-0	Switch box bottom	1
19	B29-2706-014-0	Gas rod Rotating support	2
20	B71-2708B-014-F05-01-B	Upper Glass	1
21	B76-3750-002-B	750m3h Motor assembly	1
22	B30-2201-022-0	One-way Valve Flap(Air Outlet)	2
23	B30-2501-025-0	PCB Box bottom	1
24	B63-2401-254-0	PCB	1
25	B30-2201-068-0	Motor housing holder	2
26	B30-2501-034-0	PCB Box Lid	1
27	B64-2401-342-0	Capacitor	1
28	B21-2706-006-3	Gas rod support	2
29	B11-2706B-009-3D	Casing assembly	1
31	B35-2802-021-0	Grease filter	1
32	B71-2708B-015-F05-01-B	Aluminium board assembly	1
34	B23-2705-008-P	Lower chimney positioning	1

AC 220-240V 50/60Hz

