



ZC922

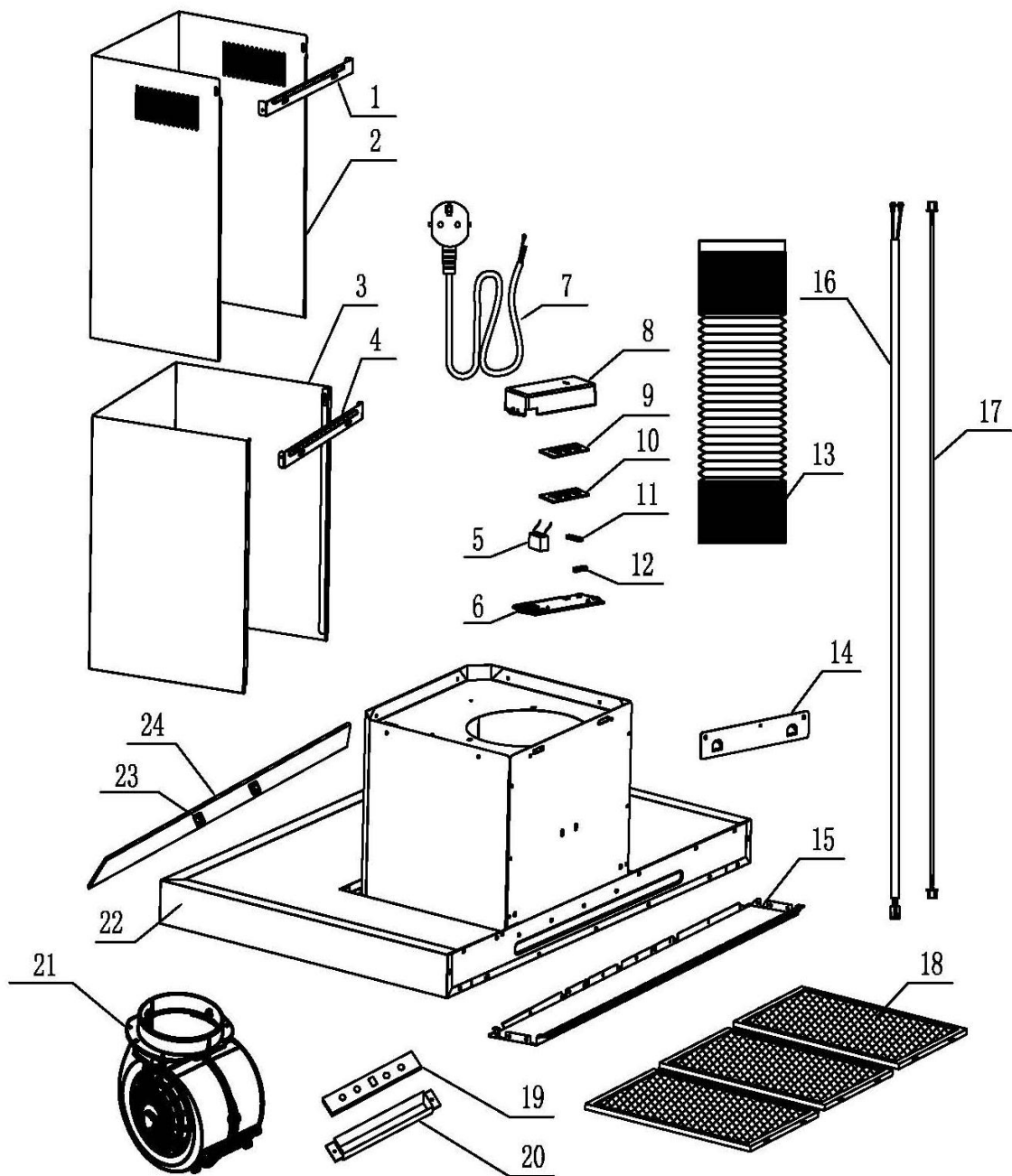
Caple ZC922 Zodiac Chimney Hood



Technical Manual



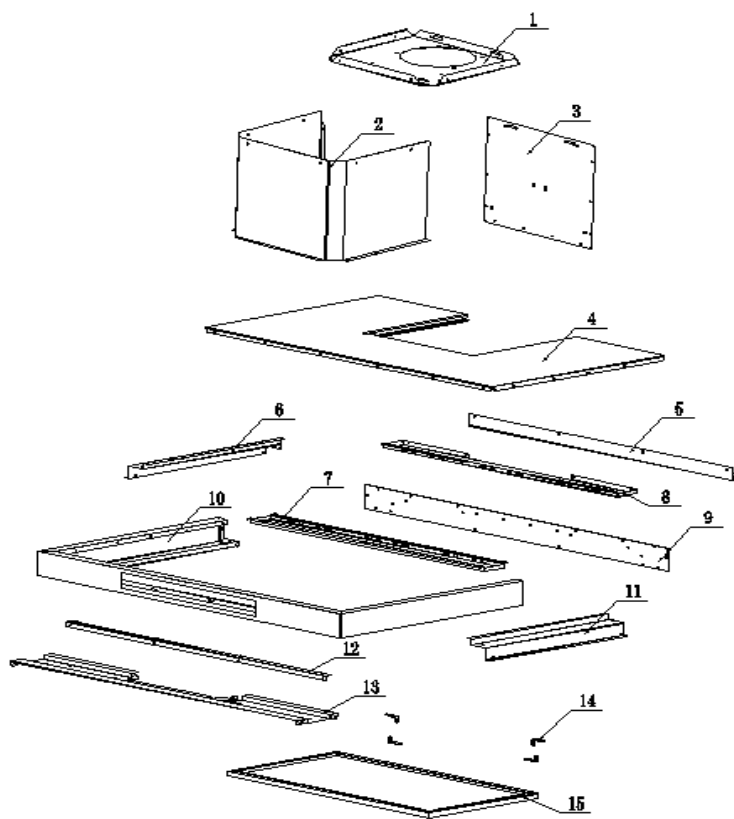
ZC922 - Caple ZC922 Zodiac Chimney Hood



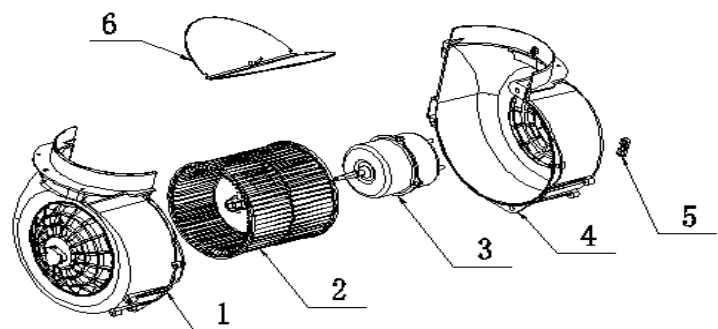


ZC922 - Caple ZC922 Zodiac Chimney Hood

Chassis Assembly



Motor Assembly





ZC922 - Caple ZC922 Zodiac Chimney Hood

Position	Supplier Item code	Description	Pcs
For Whole Cooker Hood			
1	B23-2501-029-P	Upper chimney bracket	1
2	B20-2102-036-P	Upper chimney 500mm	1
3	B20-2102-008-P	Lower chimney 500mm	1
4	B23-2501-031-P	Lower chimney bracket	1
5	B64-2401-342-0	Capacitor	1
6	B30-2501-025-0	PCB Box bottom	1
7	B62-2602-043-0	UK BS plug cable	1
8	B30-2501-034-0	PCB Box cover	1
9	B63-2501-041-0	Transformer	1
10	B63-2401-254-0	PCB	1
11	B30-2201-068-0	Motor housing wiring holder	1
12	B30-2501-035-0	PCB Box wiring holder	1
13	B36-2201-040-0	Plastic pipe ϕ 153 (2M)	1
14	B23-2201-012-P	Hanger	1
15	B20-2111-019-P	Cover board	1
16	B62-2401-229-0	LED lamp cable	1
17	B62-2602-023-0	Switch cable	1
18	B35-2502-093-0	Aluminium filter	3
19	B63-2501-052-0	Switch board	1
20	B30-2501-078-0	Switch box bottom	1
21	B76-4806-008-B	Motor assembly	1
22	B71-4111-004-B	Casing assembly	1
23	B23-2501-018-P	Touch control panel	2
24	B33-2103-005-F05-01-0	Panel Glass 900mm	1



ZC922 - Caple ZC922 Zodiac Chimney Hood

Position	Supplier Item code	Description	Pcs
For Motor Assembly (B76-4806-008-B)			
1	B30-2301-012-0	Motor housing(left)	1
2	B30-2301-181-0	Blower	1
3	B61-2401-404-0	Motor(A Class)	1
4	B30-2301-013-0	Motor housing(right)	1
5	B30-2201-068-0	Motor housing holder	1
6	B30-2201-022-0	One-way Valve Flap(Air Outlet)	2
For Chassis Assembly (B71-4111-004-B)			
1	B23-2501-006-P	Casing up	1
2	B23-2501-004-P	Casing round	1
3	B23-2501-005-P	Casing back	1
4	B20-2102-024-P	900mm casing cover board	1
5	B20-2111-014-P	Back cover	1
6	B20-2111-013-P	Connecting board(Left)	1
7	B20-2111-029-P	Front supporter of filter	1
8	B20-2111-030-P	Rear supporter of filter	1
9	B23-2111-009-P	Back support	1
10	B10-2111-018-Q	Switch panel assembly	1
11	B20-2111-012-P	Connecting board(Right)	1
12	B23-2111-016-P	Fix board	2
13	B23-2102-022-P	Frame Support	1
14	B20-2111-033-P	Hinge	2
15	B62-2401-402-0	LED PAN assembly	1

Fixing Kit - B74-4102-001-B

