



TSCH601

Caple Telescopic Cooker Hood

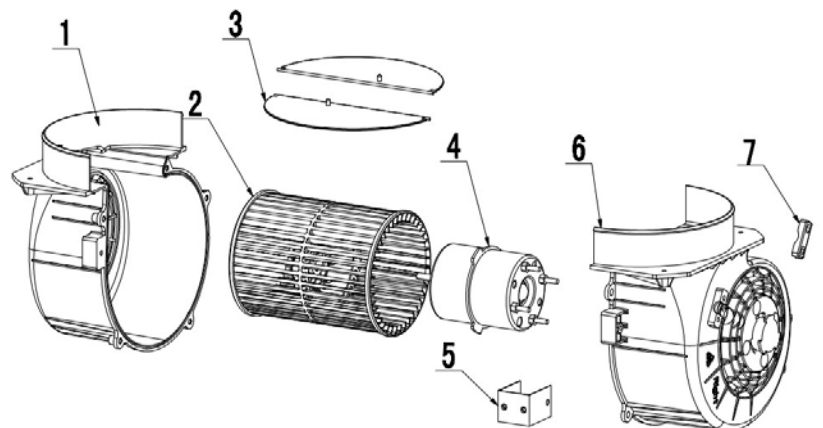
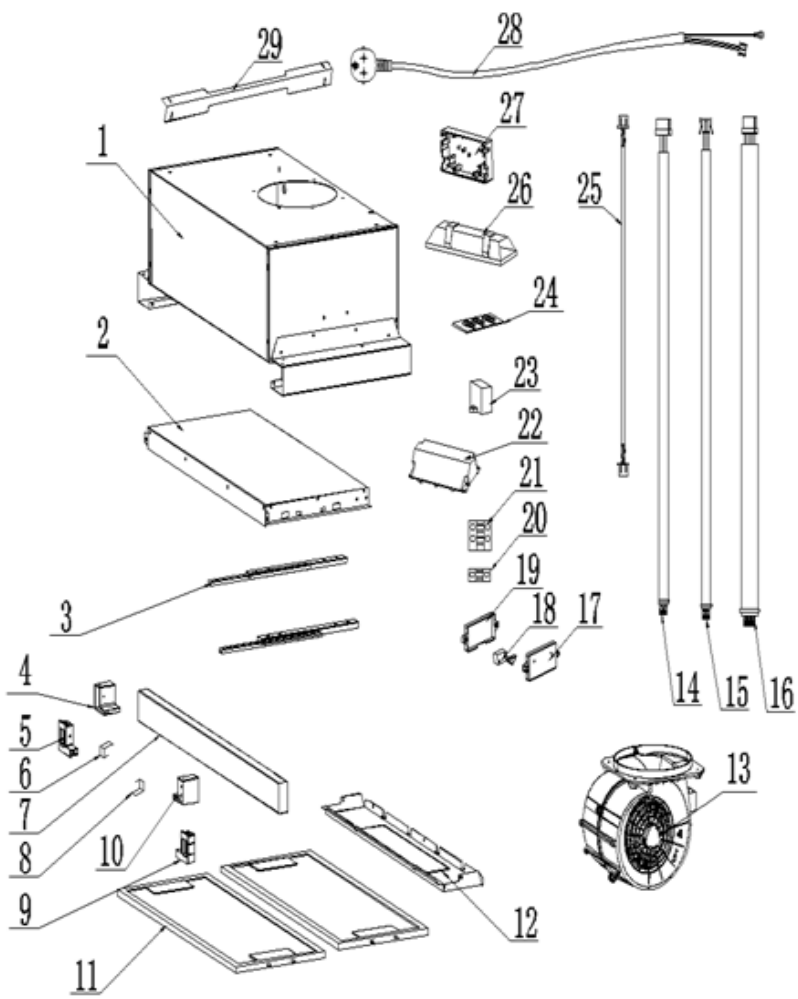


Technical Manual



TSCH601

Caple Telescopic Cooker Hood





TSCH601

Caple Telescopic Cooker Hood

Item	Part Number	Description	Quantity
1	B11-2906-067-5	Casing assembly	1
2	B11-2906-034-5	Decorative trim connection board	1
3	B23-2906-020-0	Telescope kit	2
4	B30-2906-007-0	Left switch fixation back cover	1
5	B30-2906-005-0	Left switch fixation board	1
6	B60-2906-024-0	Lamp rocker button	1
7	B19-2906-009-Q	Decorative trim	1
8	B60-2906-025-0	Motor rocker button	1
9	B30-2906-004-0	Right switch fixation board	1
10	B30-2906-006-0	Right switch fixation back cover	1
11	B35-2906-083-0	Aluminium filter	2
12	B21-2906-106-5	Lamp board assembly	1
13	B76-4201-003-B	Motor assembly	1
14	B62-2401-112-0	Switch cable	1
15	B62-2906-022-0	Switch cable	1
16	B60-2906-025-0	Switch cable	1
17	B30-2906-002-0	Micro switch box bottom	1
18	B60-2906-023-0	Micro switch	1
19	B30-2906-003-0	Micro switch box cover	1
20	B30-2201-021-0	Wire fixation kit2	1
21	B30-2201-020-0	Wire fixation kit1	1
22	B30-2301-140-0	Wire box cover	1
23	B64-2401-204-0	Motor capacitor	1
24	B62-2401-365-0	LED Lamp cable	1
25	B63-2401-107-0	Single motor Wiring Board(PCB)	1
26	B62-2401-592-0	LED Lamp	1
27	B30-2301-139-0	PCB Box bottom	1
28	B62-2602-043-0	Plug with cable	1
29	B21-2906-065-5	Back cover board	1



TSCH601

Caple Telescopic Cooker Hood

For Mechanical switch (B76-4201-003-B)

Item	Part Number	Description	Quantity
1	B30-2201-065-0	Motor housing(left)	1
2	B30-2201-067-0	Blower	1
3	B30-2201-022-0	One-way Valve Flap(Air Outlet)	2
4	B61-2201-064-0	Motor (#350)	1
5	B23-2201-069-P	Motor housing holder	1
6	B30-2201-066-0	Motor housing(right)	1
7	B30-2201-068-0	Motor Holder	1

AC 220-240V 50/60Hz

