



TSCH600

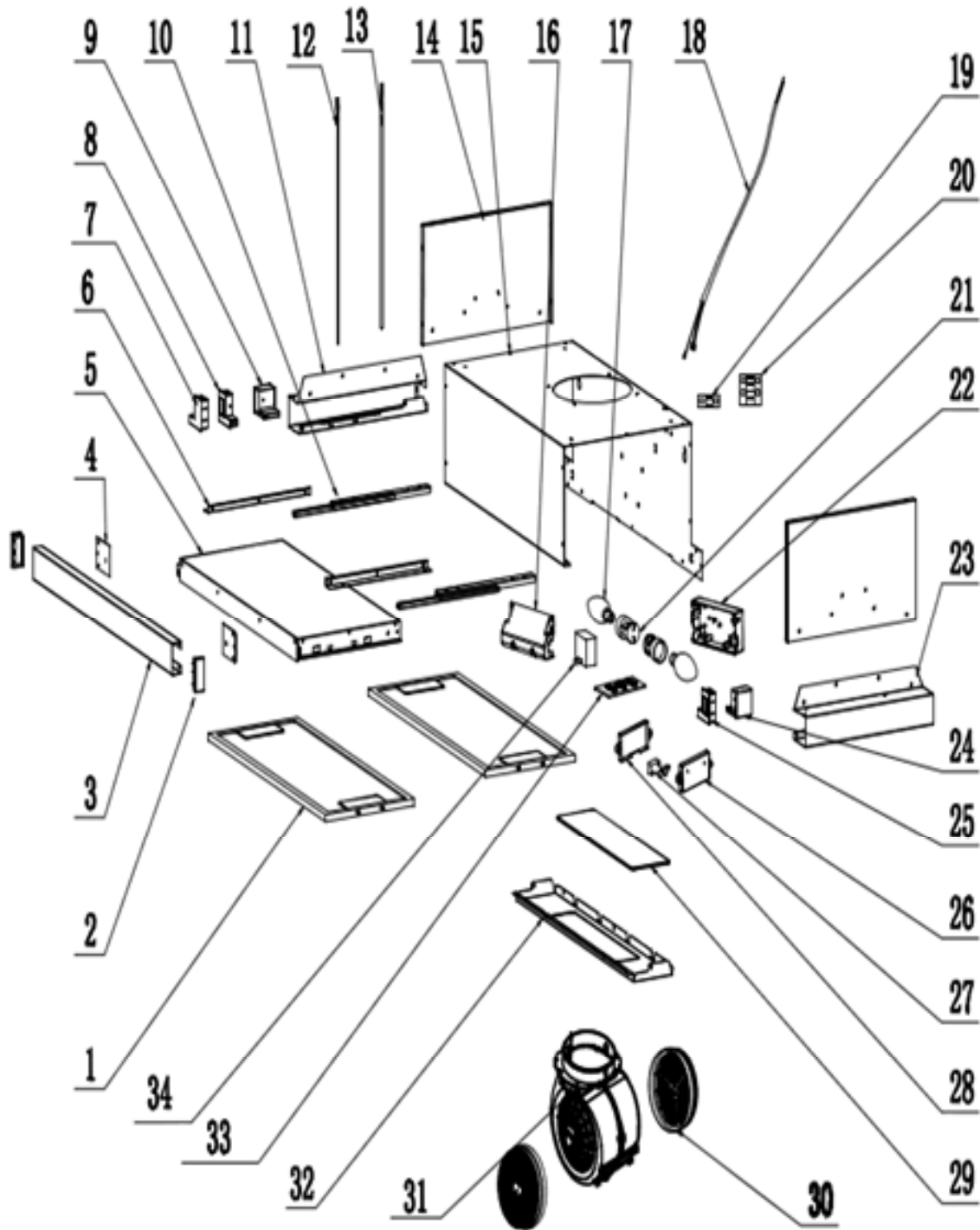
Caple Telescopic hood

Technical information



TSCH600

Caple Telescopic hood

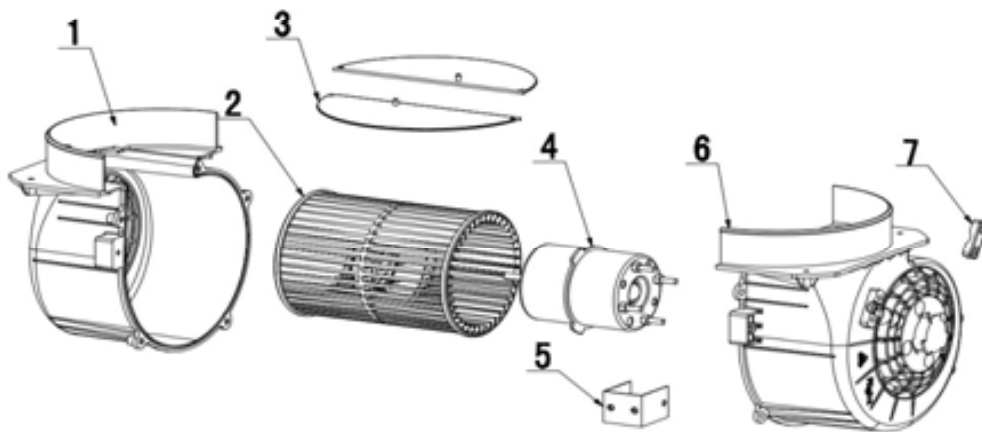




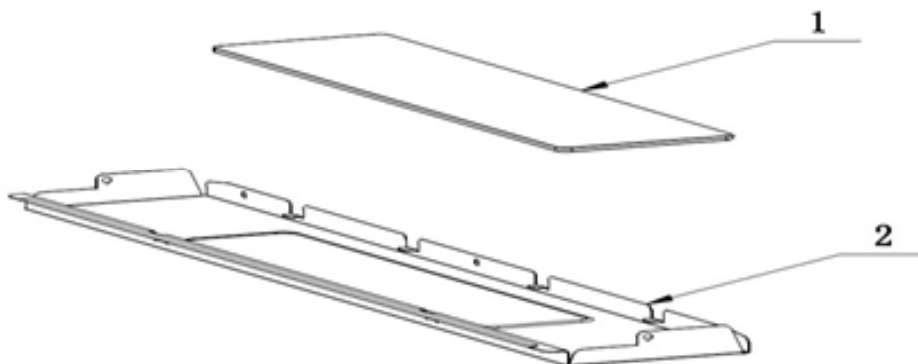
TSCH600

Caple Telescopic hood

Motor Assembly



Chassis Assembly





TSCH600 - Caple Telescopic hood

Item	Part Code	Description	Qty
1	B35-2906-019-0	Aluminum filter	2
2	B30-2906-001-0	decorative trim cover kit	2
3	B19-2906-009-Q	decorative trim	1
4	B20-2906-011-P		2
5	B11-2906-034-2	Decorative trim connection board	1
6	B21-2906-013-2		2
7	B60-2906-024-0	Lamp rocker button	1
8	B30-2906-005-0	Left switch fixation board	1
9	B30-2906-007-0	Left switch fixation back cover	1
10	B23-2906-020-0	Telescope kit	2
11	B21-2906-060-2		1
12	B62-2906-022-0	Switch cable	2
13	B60-2906-025-0	Motor rocker button cable	1
14	B21-2906-058-2		2
15	B21-2906-017-2		1
16	B30-2301-138-0	E14 Wire box cover	1
17	B62-2301-071-0		2
18	B62-2903-020-0	Plug with cable	1
19	B30-2201-021-0	Wire fixation kit2	1
20	B30-2201-020-0	Wire fixation kit1	1
21	B65-2201-081-0		2
22	B30-2301-137-0	E14 Wire box bottom	1
23	B21-2906-059-2		1
24	B30-2906-006-0	Right switch fixation board	1
25	B30-2906-004-0	Right switch fixation back cover	1
26	B30-2906-002-0	micro switch box bottom	1
27	B60-2906-025-0	Motor rocker button	1
28	B60-2906-023-0	Micro switch	1
29	B30-2906-003-0	Micro switch box cover	1
30	B35-2201-100-0	Round carbon filter	2
31	B76-4201-003-B	Motor assembly	1
32	B71-4906-001-B	Lamp board assembly	1
33	B63-2401-107-0		1
34	B64-2201-084-0	Motor capacitor(1.5 μ F)	1
For motor accessory(B76-4201-003-B)			
1	B30-2201-065-0	Motor housing(left)	1
2	B30-2201-067-0	Blower	1
3	B30-2201-022-0	One-way Valve Flap(Air Outlet)	2
4	B61-2201-064-0	Motor (#350)	1
5	B23-2201-069-P	Motor housing holder	1
6	B30-2201-066-0	Motor housing(right)	1
7	B30-2201-068-0	Motor Holder	1



TSCH600 - Caple Telescopic hood

Item	Part Code	Description	Qty
For Chassis assembly(B71-4906-001-B)			
1	B33-2201-061-0	Glass	1
2	B21-2906-018-2	Lamp board	1