



SP912SS

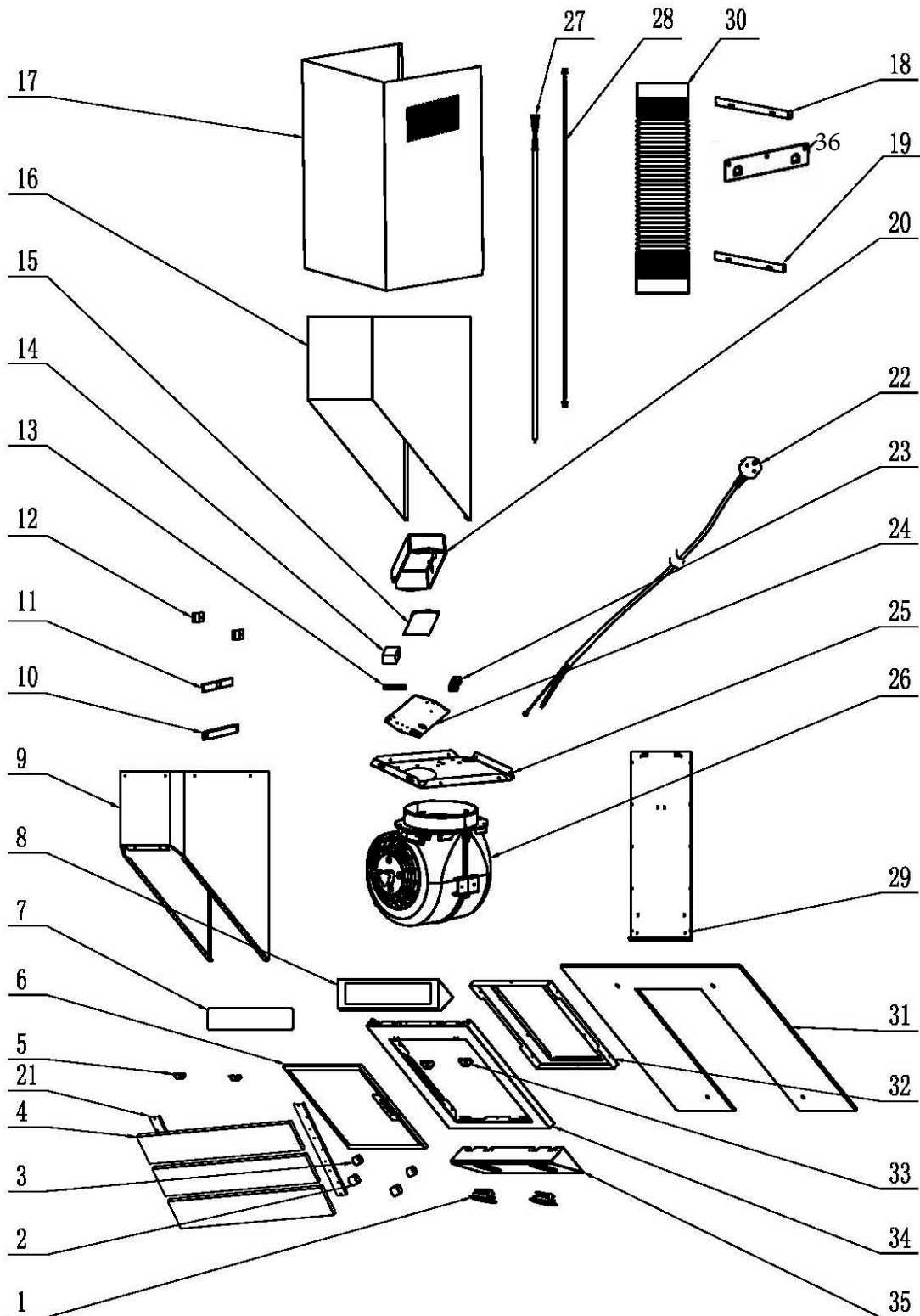
Caple Spirit 90cm Hood Stainless Steel

Technical Manual



SP912SS

Caple Spirit 90CM Hood Stainless Steel





SP912SS

Caple Spirit 90CM Hood Stainless Steel

Item	Part Number	Description	Quantity
1	B62-2401-175-0	LED Lamp	2
2	B29-2703-016-0	magnet	6
3	B32-2703-017-0	magnet silica gel sleeve	2
4	B20-2715-046-P	Decoration board	3
5	B20-2715-044-P	Switch bracket	2
6	B35-2602-042-0	Grease Filter	1
7	B33-2715-033-0	control board Glass	1
8	B20-2715-031-P	Switch board	1
9	B23-2703-065-P	casing board	1
10	B30-2501-078-0	Switch box bottom	1
11	B63-2501-052-0	Switch board	1
12	B23-2501-183-P	touch control support	2
13	B30-2501-035-0	PCB Box wiring holder	1
14	B64-2401-342-0	Capacitor	1
15	B63-2401-254-0	PCB	1
16	B20-2715-020-P	Lower Chimney (500mm)	1
17	B20-2102-036-P	Upper chimney (500mm)	1
18	B23-2501-029-P	Upper Chimney bracket	1
19	B23-2501-031-P	lower chimney bracket	1
20	B30-2501-034-0	PCB Box Lid	1
21	B20-2715-047-P	Decoration board Connector	2
22	B62-2602-043-0	UK BS plug cable	1
23	B30-2201-068-0	Motor housing holder	2
24	B30-2501-025-0	PCB Box bottom	1
25	B23-2501-006-P	casing cover board	1
26	B76-4806-008-B	Motor housing assemble	1
27	B62-2501-129-0	LED Lamp cable	1
28	B62-2501-015-0	Switch Cable	1
29	B23-2703-064-P	casing Back support	1
30	B36-2201-040-0	Plastic pipe ϕ 153	1
31	B33-2703-033-0	Glass	1
32	B23-2715-021-P	filter board bracket	1
33	B20-2715-023-P	Switch bracket	2
34	B20-2715-017-P	filter board	1
35	B10-2715-026-Q	Lamp board welding assemble	1
36	B23-2201-012-P	Fixing Bracket	1

