



FSCHSS7

Caple Conventional Hood

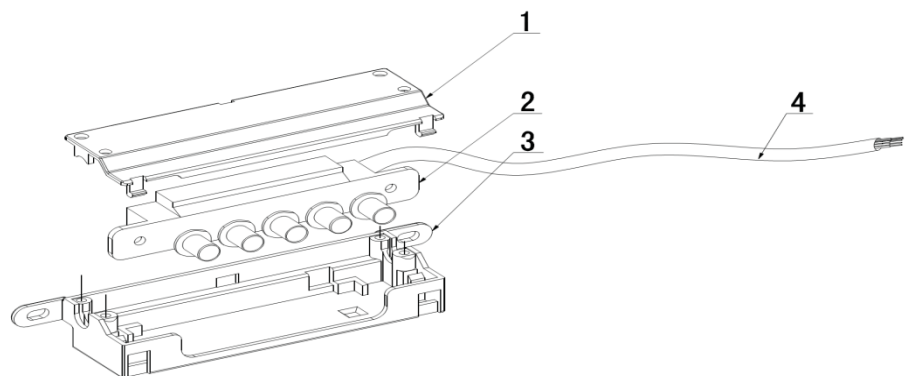
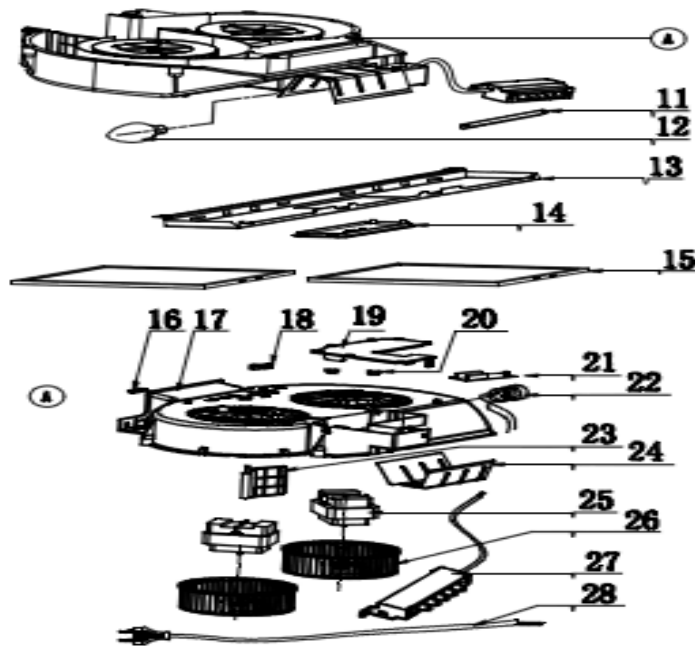
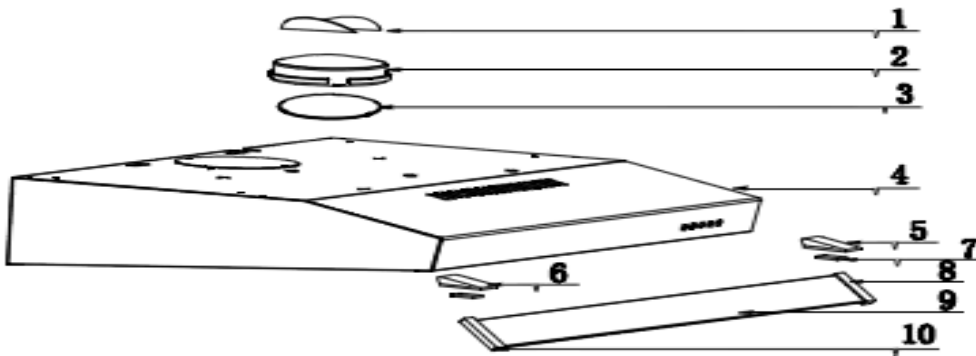


Technical Manual



FSCHSS7

Caple Conventional Hood





FSCHSS7

Caple Conventional Hood

Item	Part Number	Description	Quantity
1	B30-2903-026-0	One-way Valve Flap(120mm Air Outlet)	2
2	B30-2903-025-0	120mm Air Outlet	1
3	B30-2903-036-0	120mm Air Outlet cover	1
4	B11-2905-015-Q	430# S.S. Housing	1
5	B30-2903-062-3	Glass support (right)	1
6	B30-2903-061-3	Glass support (left)	1
7	B30-2903-071-3	Glass support lid	2
8	B30-2903-072-3	Glass support shelf right	1
9	B33-2903-070-0	600mm glass visor	1
10	B30-2903-060-3	Glass support shelf left	1
11	B20-2905-010-P	Switch shelf	1
12	B62-2201-087-0	E14 lamp	1
13	B21-2903-058-3	Lamp board	1
14	B30-2903-007-0	Lamp cover	1
15	B35-2905-018-0	Aluminium Filter	2
16	B30-2903-023-0	Motor housing holder	1
17	B30-2903-012-0	Motor housing (single motor)	1
18	B30-2903-017-0	Strip-type knob	1
19	B30-2903-015-0	Screw cover	2
20	B30-2903-021-0	Motor housing cover	1
21	B63-2501-044-0	PCB	1
22	B65-2201-081-0	Lamp holder assemble	1
23	B30-2903-016-0	Re-circulation vent flap	1
24	B61-2903-013-0	Motor	1
25	B30-2903-014-0	Blower	1
26	B62-2602-043-0	UK BS Plug Cable	1
27	B76-4903-001-B	Mechanical switch	1
28	B62-2903-020-0	UK BS plug cable	1
<b>For Mechanical switch (B76-4903-001-B)</b>			
1	B30-2201-090-0	Switch box cover lid	1
2	B60-2201-092-0	Push button PU02	1
3	B30-2201-089-0	Push button bottom	1
4	B62-2401-138-0	Switch Cable	1