



FGC621

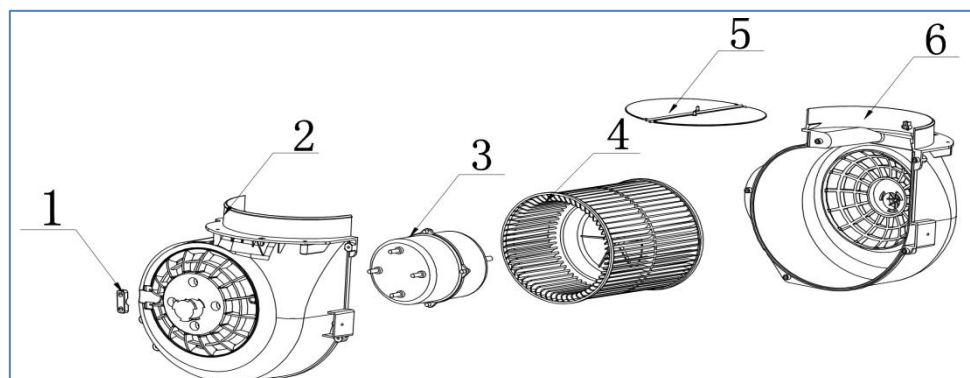
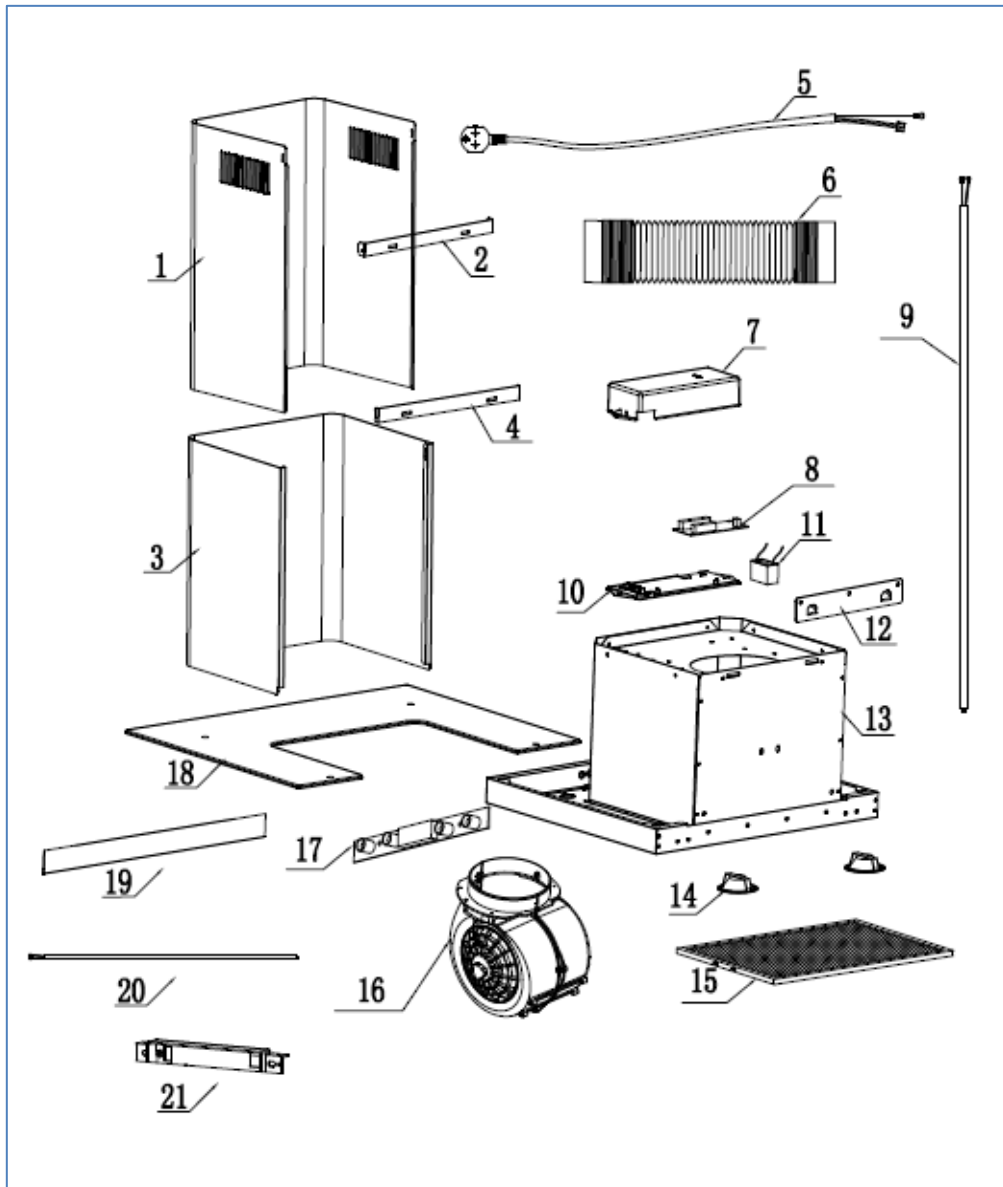
Caple SS & Glass Extractor

Technical Manual



FGC621

Cadle SS & Glass Extractor





FGC621

Caple SS & Glass Extractor

Item	Part Number	Description	Quantity
1	B20-2102-036-P	Upper Chimney	1
2	B23-2501-029-P	Upper Chimney bracket	1
3	B20-2102-008-P	Lower Chimney	1
4	B23-2501-031-P	Lower chimney bracket	1
5	B62-2602-043-0	Cable with BS plug	1
6	B36-2501-115-0	φ153 plastic pipe	1
7	B30-2501-034-0	PCB Box Lid	1
8	B63-2401-254-0	Power PCB	1
9	B62-2602-022-0	LED lamp wire	1
10	B30-2501-025-0	PCB Box bottom	1
11	B64-2401-206-0	6uF electric capacity	1
12	B23-2201-012-P	Hanging board	1
13	/	Casing	1
14	B62-2401-175-0	LED lamp	2
15	B35-2602-042-0	Grease filter	1
16	B76-4102-001-B	Motor accessory	1
17	B63-2501-052-0	Switch PCB	1
18	B33-2601-028-0	Glass	1
19	B30360100000130	Front glass	1
20	B62-2602-023-0	Power switch wire	1
21	B30-2501-078-0	Switch box bottom	1
For Motor Accessory B76-4102-001-B			
1	B30-2201-068-0	Motor housing holder	1
2	B30-2301-012-0	Motor housing - Left	1
3	B61-2301-039-0	Motor	1
4	B30-2301-181-0	Blower	1
5	B30-2201-022-0	One-way Valve Flap(Air Outlet)	2
6	B30-2301-013-0	Motor housing - Right	1