



Stainless steel splashback instruction manual

CSB606 CSB706 CSB906 CSB1006



Contact Caple on 0117 938 7420 or for spare parts www.caple.co.uk





CONTENTS

Safety information	3
Parts and accessories	4
Guide to wall mounting and fixings	5
Wall type	6
Care and maintenance	7
Installation	8
Guarantee	9
After Sales Support	10

Please keep this instruction manual for future reference





IMPORTANT

- Please read these instructions fully before installing or using this product. These instructions contain important information which will help you get the best from your product and ensure safe and correct installation, use and maintenance

SAFETY INFORMATION

- This product is to be installed by a competent person.
- The installation of this product is best carried out by 2 people.
- Depending on the material, it may be necessary to use masonry or hollow wall anchors when fixing screws.
- Be careful of sharp edges when handling this product.
- Dispose of all packaging carefully and responsibly.

Please keep this instruction manual for future reference

Instruction manual CSB606 CSB706 CSB906 CSB1006 3





PARTS AND ACCESSORIES

Please familiarise yourself with the parts and accessories listed below:

Parts and Accessories included



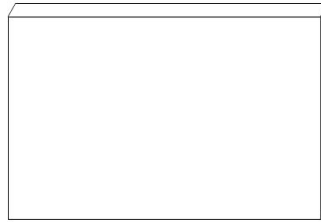
Screw (4 x 30mm) x 3



Wall plug x 3



Instructions x 1



Splashback

CODES	DESCRIPTION	FINISH
CSB606	600/750mm Splashback	Steel
CSB706	700/750 mm Splashback	Steel
CSB906	900/750 mm Splashback	Steel
CSB1006	1000/750 mm Splashback	Steel

Please keep this instruction manual for future reference





GUIDE TO WALL MOUNTING AND FIXINGS

IMPORTANT

If plastic wall plugs are supplied with your product:
Make sure that the screws and wall plugs being used are suitable for supporting your unit. Consult a qualified tradesperson if you are unsure.

- When drilling into walls always check that there are no hidden wires or pipes etc.
- Plugs are only suitable for use in masonry walls.
- If you are in any doubt about the correct wall plugs for your wall, seek professional advice.
- Failure of the product due to using incorrect fixings is the responsibility of the installer.

NOTE

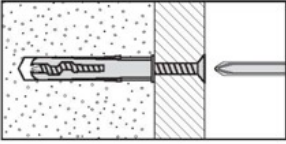
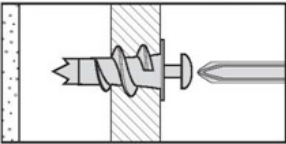
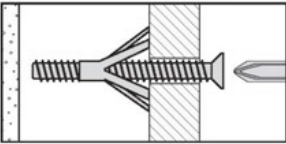
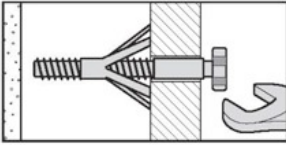
- Always use a larger screw and wall plug if you are not sure.
- Ensure you use the recommended drill bit to match the wall plug and hole size.
- Ensure you drill the hole horizontally, do not force the drill or enlarge the hole.
- Take extra care when drilling high walls, ceilings and ceramic tiles. Ensure wall plugs are inserted beyond the thickness of the ceramic tiles to avoid the tiles splitting or cracking.
- Ensure wall plugs are well fitted and are a tight fit in the drilled hole.

Please keep this instruction manual for future reference



WALL TYPE

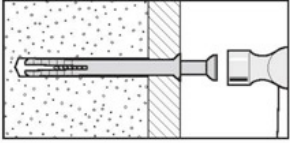
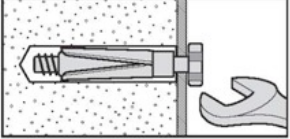
You can use one of the following types of wall plugs if your walls are made of brick, breeze block, concrete, stone or wood:

WALL PLUG TYPE		DESCRIPTION
General Purpose wall plug		Generally aerated blocks should not be used to support heavy loads, use a specialist fitting in this case. For light loads, general purpose wall plugs can be used.
Plasterboard wall plug		For use when attaching light loads on to plasterboard partitions.
Cavity Fixing wall plug		For use with plasterboard partitions or hollow wooden doors.
Cavity Fixing – Heavy Duty wall plug		For use when fitting or supporting heavy loads such as shelving, wall cabinets and coat racks.

Please keep this instruction manual for future reference





WALL PLUG TYPE		DESCRIPTION
Hammer Fixing wall plug		For use with walls stuck with plasterboard. The hammer fixing allows it to be fixed to the wall rather than the plasterboard. Always check the fixing is secure to the retaining wall.
Shield Anchor wall plug heavy loads		For use with heavier loads such as TV & HiFi speakers and satellite dishes etc.

CARE AND MAINTENANCE

- Always check the fitting and location to ensure your safety in and around the home.
- From time to time check the fitting to ensure the wall plugs or screws do not become loose.
- Your splashback should be cleaned regularly using a suitable cleaner. Under no circumstances use an abrasive cleaner or material.
- Never use any sharp instruments or abrasive substances, soap, detergent or wax polish for cleaning.

Please keep this instruction manual for future reference



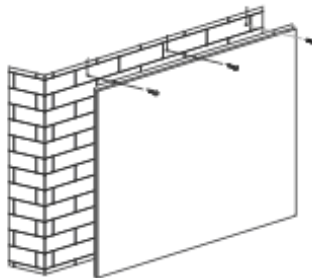
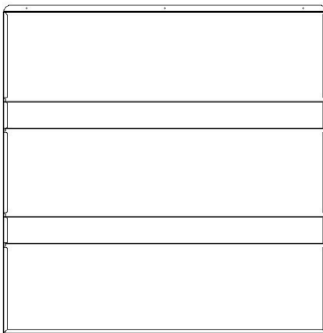
INSTALLATION

CAUTION

- 2 people are required to unpack and handle the product, it is recommended that gloves are worn.
- Carefully remove all packaging materials including the foam base, dispose of correctly.
- Ensure that the surface of the wall is flat, free of dust and dirt.
- Carefully measure the wall and mark out the correct position for the splashback.
- Glue the support bracket of the splashback.
- Drill the holes on the wall according to the diagrams below.

WARNING

- Before drilling holes check the wall is clear of cables, pipes etc.
- Use the screws (4x30mm) and wall plugs provided to fix the splashback (refer to the previous page to ensure suitable).
- Tighten the screws and press the splashback to the wall.
- Any gap between the worktop and the wall must be sealed to exclude moisture



Please keep this instruction manual for future reference





GUARANTEE

IMPORTANT

Your splashback should be cleaned regularly using a suitable cleaner. Under no circumstances use an abrasive cleaner or material.

Never use any sharp instruments or abrasive substances, soap, detergent or wax polish for cleaning.

2 year guarantee against manufacturing defects

Caple products are manufactured to the highest standard, however, should any defect in the material or construction arise within the guarantee period and in the judgment of Caple or an authorised representative is agreed as being defective, we will replace the product or parts free of charge providing the item has been used in a solely domestic application and fitted in accordance with the installation instructions provided. The care instructions and maintenance information must be observed at all times and the product has been cleaned as recommended.

Caple reserves the right to inspect any product reported to be defective prior to replacement and the manufacturer's decision is final.

Exclusions

Normal wear and tear or any damage or defect due to improper installation or abuse of fitting or damage from misuse, negligence or accident.

Consequential damage resulting prior to or as a result of agreement to replace the product.

Labour and transport.

Condition

This guarantee applies to the original purchase only and cannot be transferred.

The original installation was completed by a qualified tradesman.

Claims

A claim will only be recognised by Caple if accompanied by a copy of invoice/receipt confirming the date and proof of ownership.

This guarantee is in addition to and does not diminish your statutory or legal rights.

Please keep this instruction manual for future reference





After Sales Support

Telephone 0117 938 7420

Please contact your retailer, call Caple direct on 0117 938 1900, email info@caple.co.uk or visit our website at www.caple.co.uk for further product information.

Please keep this instruction manual for future reference

10 Instruction manual CSB606 CSB706 CSB906 CSB1006





Notes:

Please keep this instruction manual for future reference

Instruction manual CSB606 CSB706 CSB906 CSB1006 11





Caple Service
Fourth Way
Avonmouth
Bristol
BS11 8DW

t: 0117 938 7420
e: service@caple.co.uk
www.caple.co.uk

Please keep this instruction manual for future reference

