



CGI921

Caple Curved Glass Island Hood

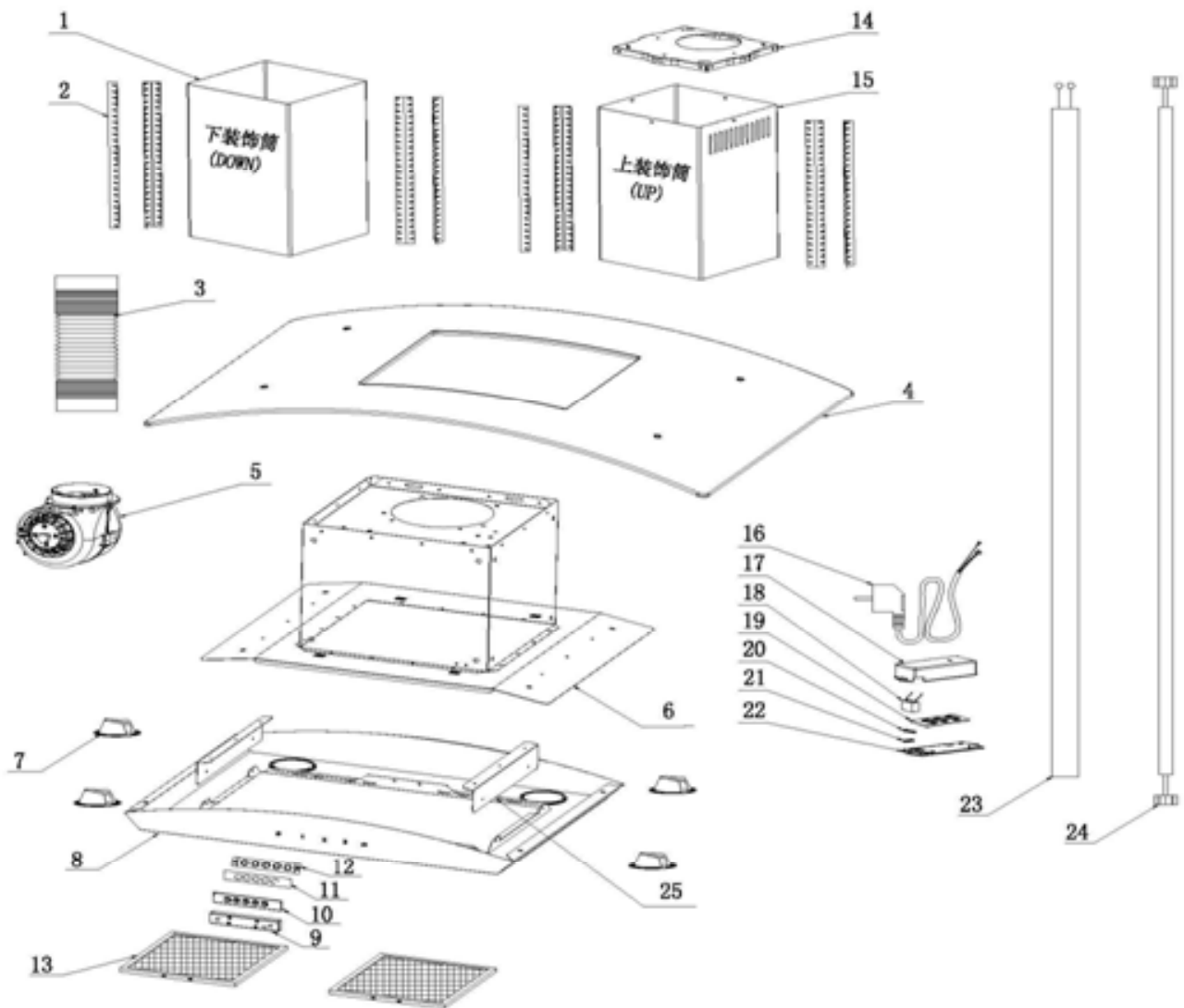


Technical information



CGI921

Caple Curved Glass Island Hood

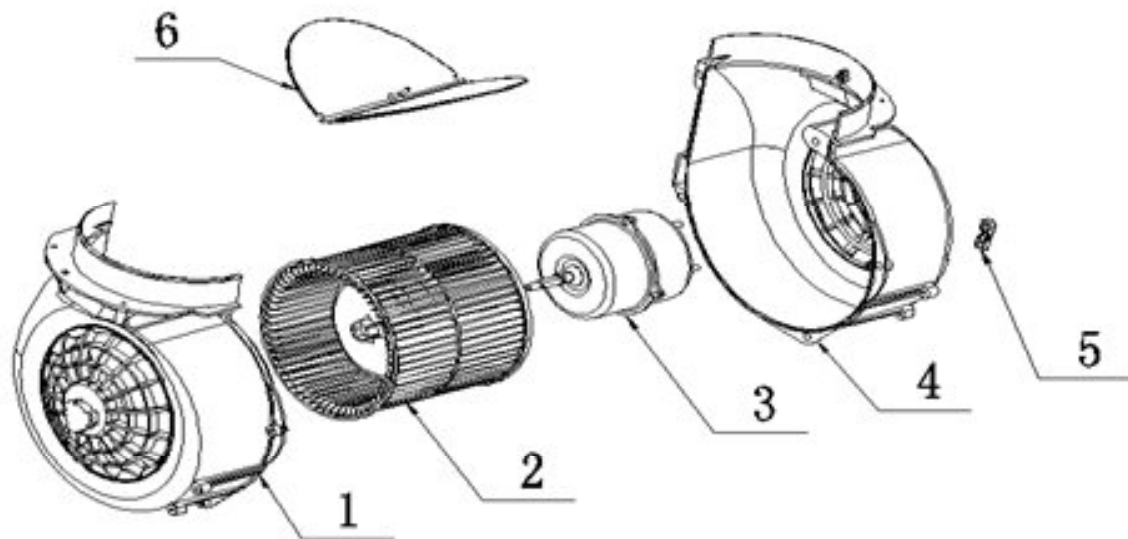




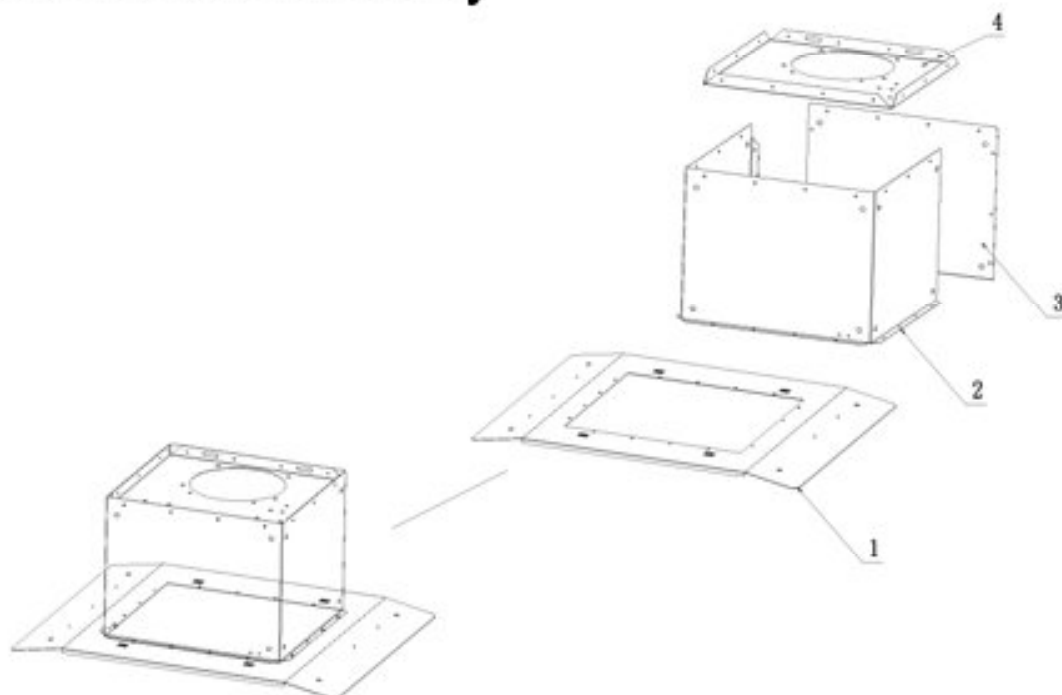
CGI921

Caple Curved Glass Island Hood

Motor assembly



Chassis assembly





CGI921 - Caple Curved Glass Island Hood

Item	Part Code	Description	Qty
1	B20-2802-007-P	Lower Chimney (600MM height)	1
2	B23-2801-015-0	Corner iron	8
3	B36-2103-052-0	Ø153 plastic pipe (2M)	1
4	B33-2803-001-0	Glass	1
5	B76-4102-001-B	Motor assembly	1
6	XXXX	Chassis assembly	1
7	B62-2401-175-0	LED Lamp (warm color)	4
8	B20-2803-032-P	Front panel	1
9	B30-2103-049-0	Control box	1
10	B63-2401-344-0	Control board	1
11	B30-2103-050-0	Control light board	1
12	B10-2103-067-Q	Place-fixed assembly for control	1
13	B35-2502-093-0	Alu. Filter	2
14	B11-2801-032-B	Corner Board	1
15	B20-2802-006-P	Upper Chimney (600MM height)	1
16	B62-2602-043-0	UK BS Plug Cable	1
17	B30-2501-034-0	PCB Box Lid	1
18	B64-2401-342-0	Motor capacitor	1
19	B63-2401-254-0	PCB Assembly	1
20	B30-2501-035-0	PCB Box wiring holder	1
21	B30-2501-068-0	Motor Holder	1
22	B30-2501-025-0	PCB Box bottom	1
23	B62-2602-023-0	Electronic switch cable	1
24	B62-2401-108-0	Led Lamp cable	1
25	B23-2809-003-P	front panel Support bracket	2
Accessory (B76-4102-001-B)			
1	B30-2301-012-0	Motor housing(left)	1
2	B30-2301-181-0	Blower	1
3	B61-2401-404-0	Motor(750-2)	1
4	B30-2301-013-0	Motor housing(right)	1
5	B30-2201-068-0	Motor housing holder	1
6	B30-2201-022-0	One-way Valve Flap(Air Outlet)	2
Chassis assembly			
1	B23-2809-002-P	Frame panel Support	1
2	B11-2801-033-B	Casing round	1
3	B11-2801-034-B	Casing back	1
4	B23-2801-005-P	Casing up	1

Fixing Kit - B74-4801-001-B

