



CGC911SS

Caple Curved Glass Extractor 90CM

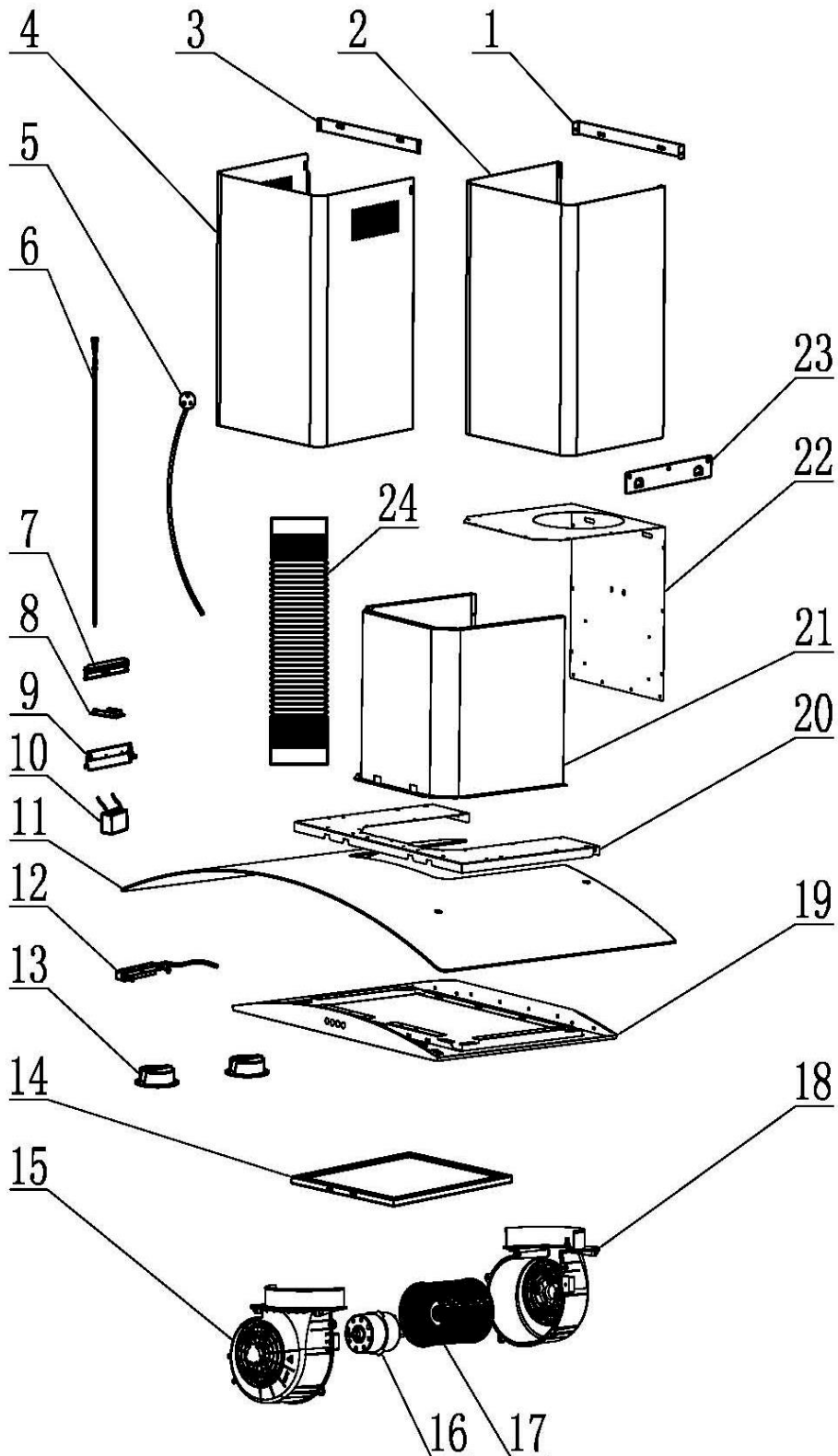


Technical Manual



CGC911SS

Cadle Curved Glass Extractor 90CM





CGC911SS

Caple Curved Glass Extractor 90CM

Item	Part Number	Description	Quantity
1	B23-2506-022-P	Lower Chimney Support Bracket	1
2	B20-2506-023-P	Lower Chimney (500MM height)	1
3	B23-2506-021-P	Upper Chimney Support Bracket	1
4	B20-2506-024-P	Upper Chimney (500MM height)	1
5	B62-2602-043-0	UK BS plug cable	1
6	B62-2401-298-0	LED Lamp cable(2W)	1
7	B30-2301-140-0	PCB Box Lid	1
8	B63-2501-044-0	Connection plug HJ-CO1-0	1
9	B30-2301-139-0	PCB Box bottom	1
10	B64-2401-205-0	Motor capacitor(3.0μF)	1
11	B33-2506B-013-0	Glass	1
12	B76-4102-006-B	Push bottom Switch Assembly	1
13	B62-2401-297-0	LED (220V round)	2
14	B35-2502-093-0	Grease Filter	2
15	B30-2301-012-0	Motor housing(left)	1
16	B61-2301-017-0	Motor (#550-4)	1
17	B30-2301-181-0	Motor Casing	1
18	B30-2301-013-0	Motor housing (right)	1
19	B11-2501-098-Q	Front panel assemble	1
20	B23-2506B-008-B	Panel support assemble	1
21	B23-2506B-001-P	Casing board	1
22	B23-2506B-002-P	back casing board	1
23	B23-2201-012-P	Hanging Board	1
24	B36-2201-040-0	φ153 Plastic Pipe	1
	B19-0401-03101X	Complete motor	1

