



CGC910BK

Caple 90cm Curved Glass Hood Black



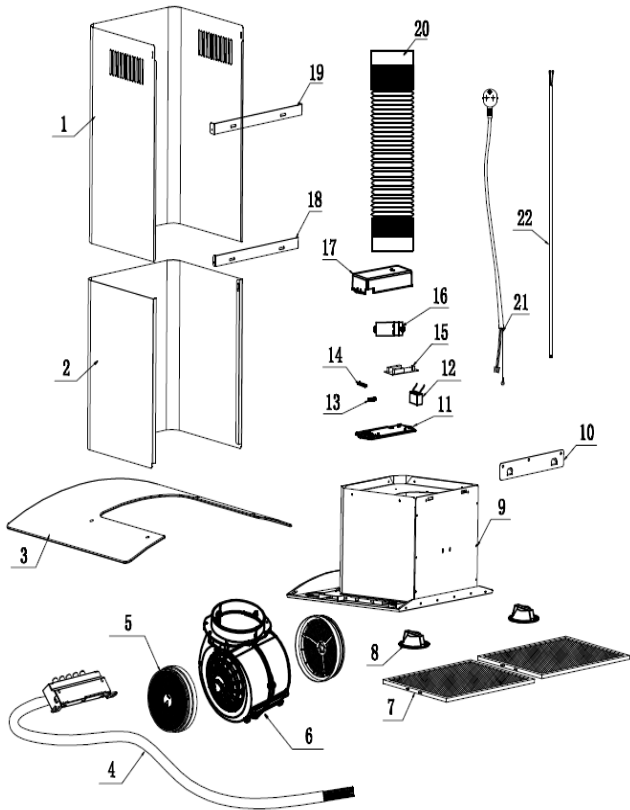
Technical Manual



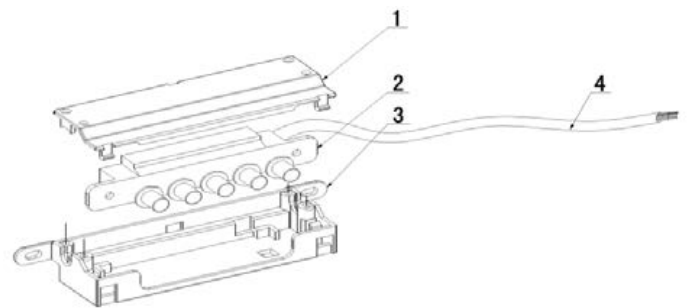
CGC910BK

Cable 90cm Curved Glass Hood Black

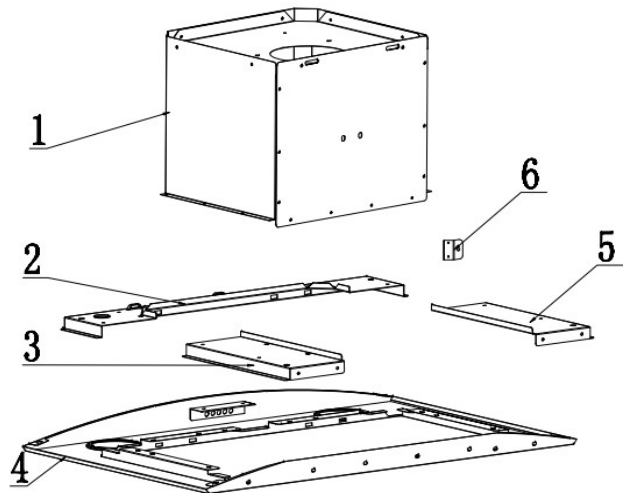
Whole Hood



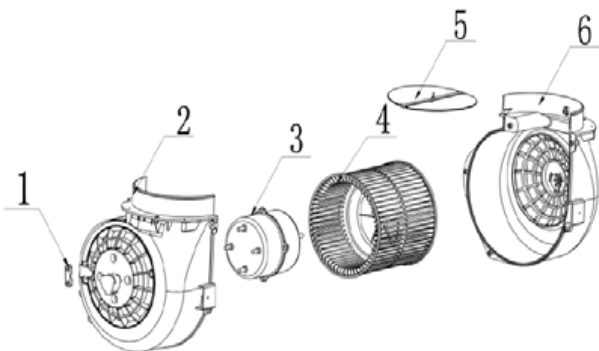
Mechanical Switch



Chassis Assembly



Motor Assembly





CGC910BK

Caple 90cm Curved Glass Hood Black

For whole cooker hood			
Item	Part Number	Description	Quantity
1	B21-2501-032-3	Upper Chimney (500mm height)	1
2	B21-2501-033-3	Lower Chimney (500mm height)	1
3	B33-2501-054-0	Glass	1
4	B76-4501-002-B	Mechanical Switch Assembly	1
5	B35-2501-014-0	Round carbon filter	2
6	B76-4102-003-B	Motor assembly(550m3h, 450mm cable)	1
7	B35-2501-022-0	Aluminium Filter	2
8	B62-2401-175-0	LED Lamp (warm colour)	2
9	B71-4501-008-3	Casing assemble	1
10	B23-2201-012-P	Hanging Board	1
11	B30-2501-025-0	PCB Box bottom	1
12	B64-2501-108-0	Motor capacitor (3uf)	1
13	B30-2201-068-0	Motor Holder	1
14	B30-2501-035-0	PCB Box wiring holder	1
15	B63-2501-044-0	Connection plug HJ-CO1-0	1
16	B63-2501-041-0	transformer HJ-T01-0	1
17	B30-2501-034-0	PCB Box Lid	1
18	B23-2501-031-P	Lower Chimney support bracket	1
19	B23-2501-029-P	Upper Chimney support bracket	1
20	B36-2201-040-0	Ø153 plastic pipe	1
21	B62-2602-043-0	UK BS plug cable	1
22	B62-2501-129-0	LED Lamp cable	1
For motor accessory (B76-4102-003-B)			
1	B30-2201-068-0	Motor holder	1
2	B30-2301-013-0	Motor housing(right)	1
3	B61-2401-286-0	Motor (#550-4)	1
4	B30-2301-014-0	Blower	1
5	B30-2201-022-0	One-way Valve Flap(Air Outlet)	2
6	B30-2301-012-0	Motor housing(left)	1



CGC910BK

Caple 90cm Curved Glass Hood Black

For Mechanical switch (B76-4501-001-B)			
Item	Part Number	Description	Quantity
1	B30-2201-090-0	Switch box cover lid	1
2	B60-2501-089-0	Push button	1
3	B30-2201-089-0	Push button bottom	1
4	B62-2501-090-0	Switch Cable(1300mm)	1
For Chassis assembly (B71-4501-008-3)			
Item	Part Number	Description	Quantity
1	B11-0501-002-B	Round casing	1
2	B23-2501-047-P	hanging plate	1
3	B23-2501-049-P	support board	1
4	B11-2501-098-3	Front panel assembly	1
5	B23-2501-051-P	Left support board	1
6	B23-2201-018-P	front support board	2

Fixing Kit - B74-4102-001-B