



CGC611SS

Caple 60cm Curved Glass Hood Stainless Steel

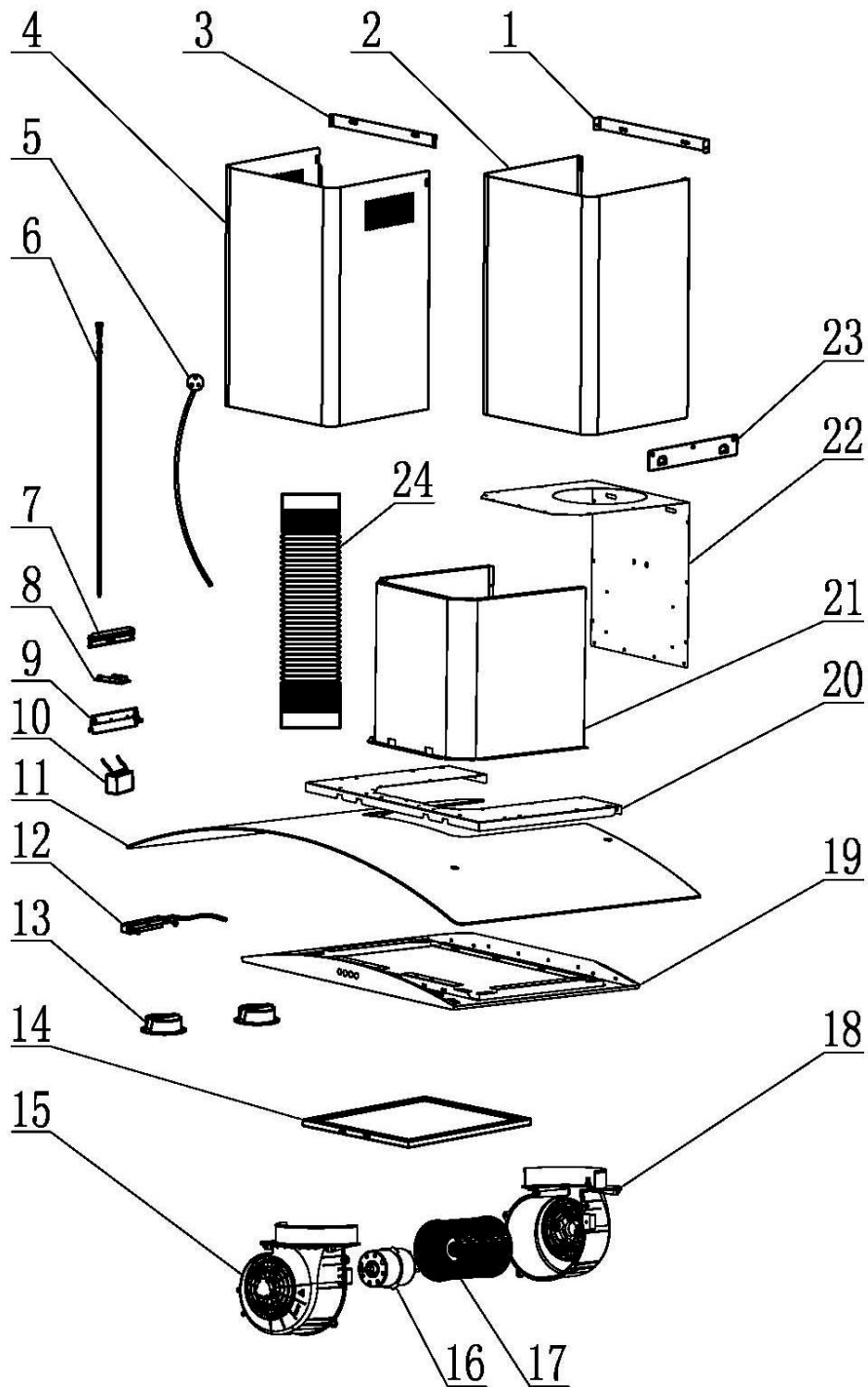


Technical Manual



CGC611SS

Caple 60cm Curved Glass Hood Stainless Steel





CGC611SS

Caple 60cm Curved Glass Hood Stainless Steel

Item	Part Number	Description	Quantity
1	B23-2506-022-P	Lower Chimney Support Bracket	1
2	B20-2506-023-P	Lower Chimney (500MM height)	1
3	B23-2506-021-P	Upper Chimney Support Bracket	1
4	B20-2506-024-P	Upper Chimney (500MM height)	1
5	B62-2602-043-0	UK BS plug cable	1
6	B62-2401-298-0	LED Lamp cable(2W)	1
7	B30-2301-140-0	PCB Box Lid	1
8	B63-2501-044-0	Connection plug HJ-CO1-0	1
9	B30-2301-139-0	PCB Box bottom	1
10	B64-2401-205-0	Motor capacitor(3.0μF)	1
11	B33-2506B-011-0	Glass	1
12	B76-4102-006-B	Push bottom Switch Assembly	1
13	B62-2401-297-0	LED (220V round)	2
14	B35-2802-021-0	Grease Filter	1
15	B30-2301-012-0	Motor housing(left)	1
16	B61-2301-017-0	Motor (#550-4)	1
17	B30-2301-181-0	Plastic core	1
18	B30-2301-013-0	Motor housing (right)	1
19	B11-2501-105-Q	Front panel assemble	1
20	B23-2506B-003-B	Panel support assemble	1
21	B23-2506B-001-P	Casing board	1
22	B23-2506B-002-P	Back casing board	1
23	B23-2201-012-P	Hanging Board	1
24	B36-2201-040-0	φ153 Plastic Pipe	1
	B19-0401-03101X	Complete motor	1

