



CGC610BK

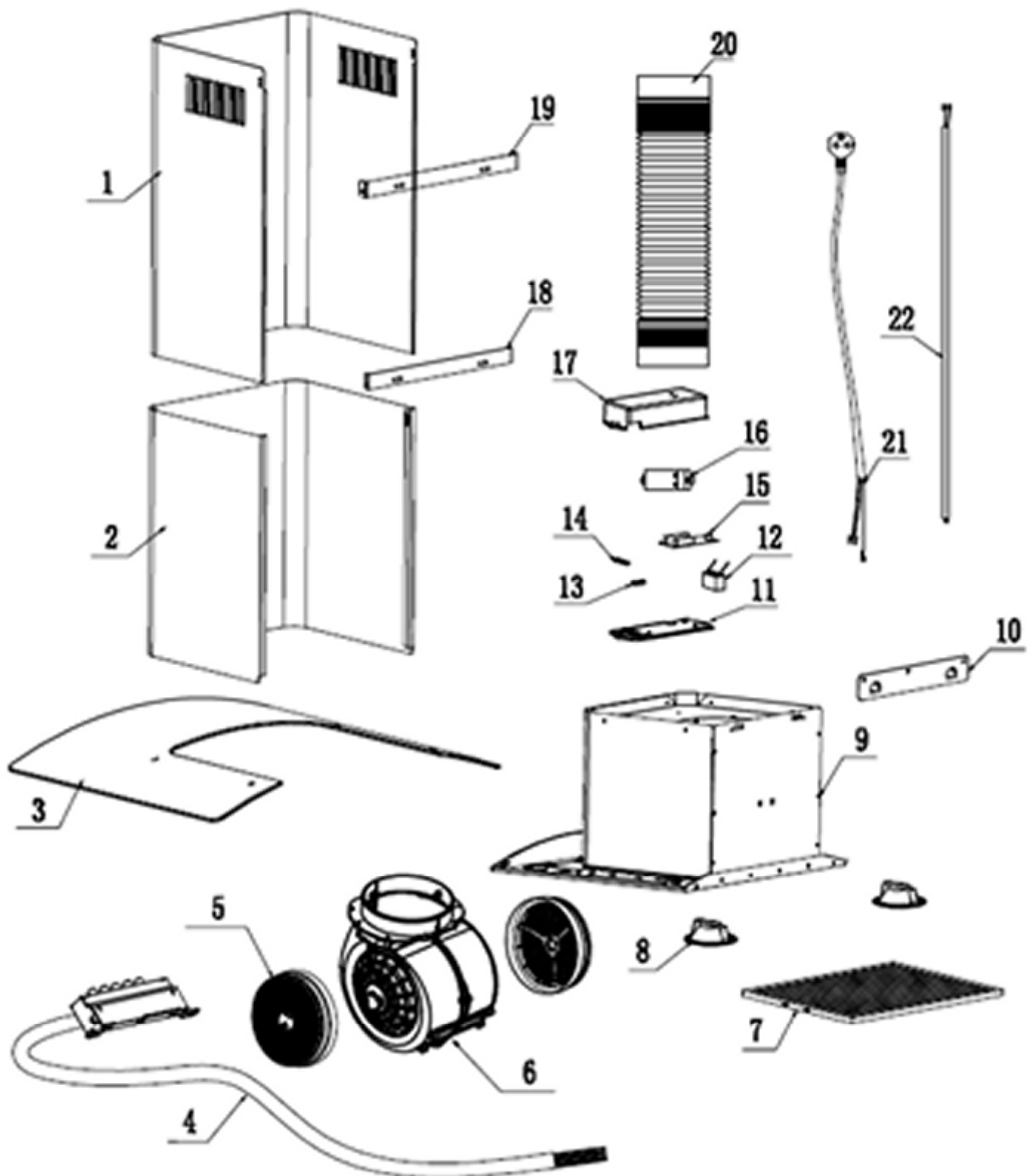
Caple 60cm curved glass hood

Technical information



CGC610BK

Caple 60cm curved glass hood

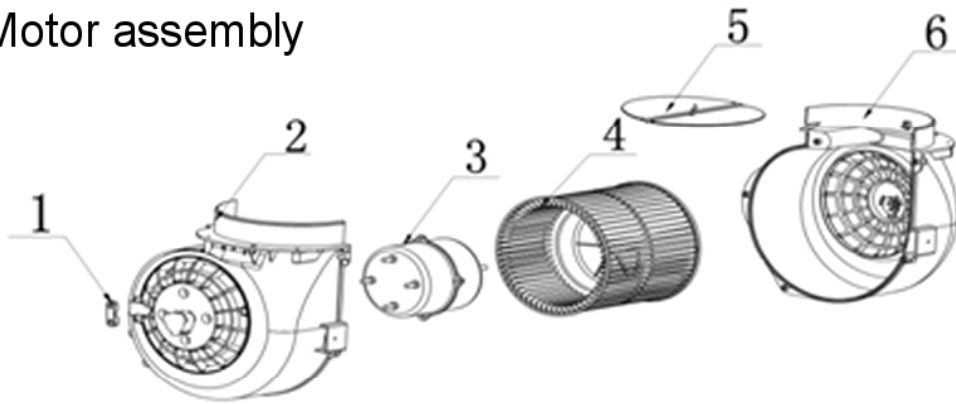




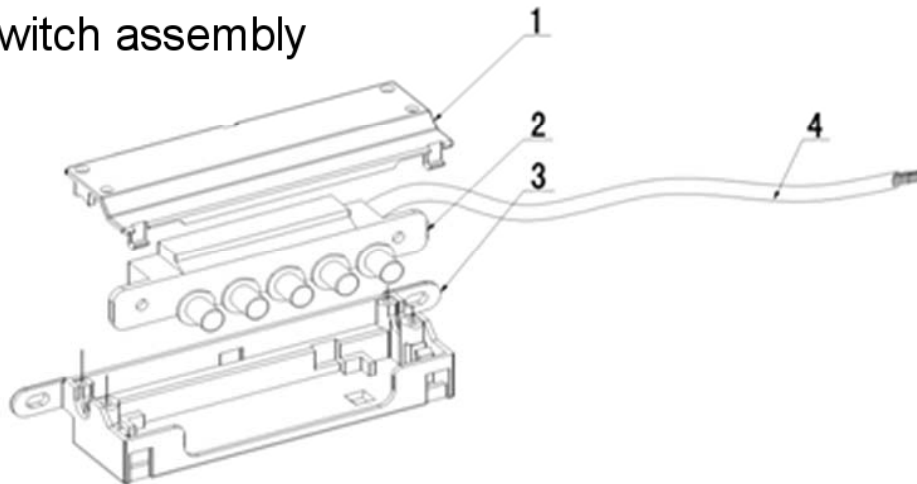
CGC610BK

Caple 60cm curved glass hood

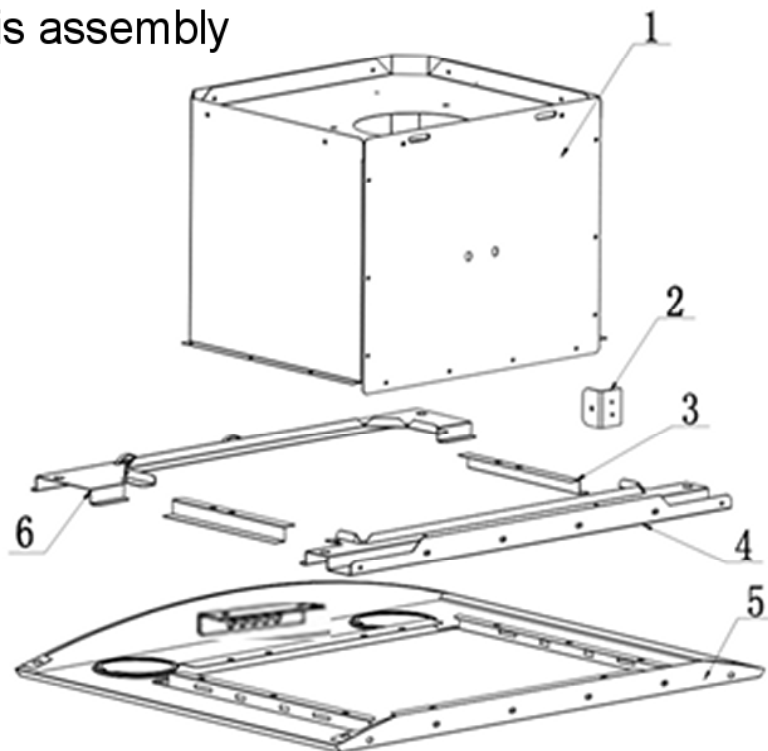
Motor assembly



Switch assembly



Chassis assembly





CGC610BK - Caple 60cm curved glass hood

Item	Part Code	Description	Qty
1	B21-2501-032-3	Upper Chimney (500MM height)	1
2	B21-2501-033-3	Lower Chimney (500MM height)	1
3	B33-2501-044-0	Glass	1
4	B76-4501-002-B	Mechanical Switch Assembly (short)	1
5	B35-2501-014-0	round carbon filter	2
6	B76-4102-003-B	Motor Assembly	1
7	B35-2201-038-0	Alu. Filter	1
8	B62-2401-175-0	Single bulb LED(warm color)	2
9	B71-4501-007-3	Casing Assembly	1
10	B23-2201-012-P	Hanging Board	1
11	B30-2501-025-0	PCB box bottom	1
12	B64-2501-108-0	Motor capacitor(3.0μF)	1
13	B30-2201-068-0	Motor housing wiring Holder	1
14	B30-2501-035-0	PCB Box Holder	1
15	B63-2501-044-0	Connection plug HJ-CO1-0	1
16	B63-2501-041-0	PCB (with transformer)	1
17	B30-2501-034-0	PCB box Cover	1
18	B23-2501-031-P	Lower Chimney Support Bracket	1
19	B23-2501-029-P	Upper Chimney Support Bracket	1
20	B36-2201-040-0	φ153风管	1
21	B62-2602-043-0	Cable with BS plug	1
22	B62-2501-129-0	LED Lamp cable	1
For motor accessory (B76-4102-003-B)			
6.1	B30-2201-068-0	Motor Holder	1
6.2	B30-2301-013-0	Motor housing(right)	1
6.3	B61-2401-286-0	Motor (#550-4)	1
6.4	B30-2301-014-0	Blower	1
6.5	B30-2201-022-0	One-way Valve Flap(Air Outlet)	2
6.6	B30-2301-012-0	Motor housing(left)	1
For Mechanical switch (B76-4501-001-B)			
4.1	B30-2201-090-0	Switch box cover lid	1
4.2	B60-2501-089-0	Push button	1
4.3	B30-2201-089-0	Push button bottom	1
4.4	B62-2501-090-0	Switch Cable(1300mm)	1
For Chassis assembly (B71-4501-007-3)			
9.1	B11-0501-002-B	Round casing	1
9.2	B23-2201-018-P	hanging plate	2
9.3	B23-2501-010-P	support board	2
9.4	B23-2501-009-P	back support board	1
9.5	B11-2501-105-3	Front panel assembly	1
9.6	B23-2501-007-P	front support board	1

Fixing Kit - B74-4102-001-B