



**CCH900BK**

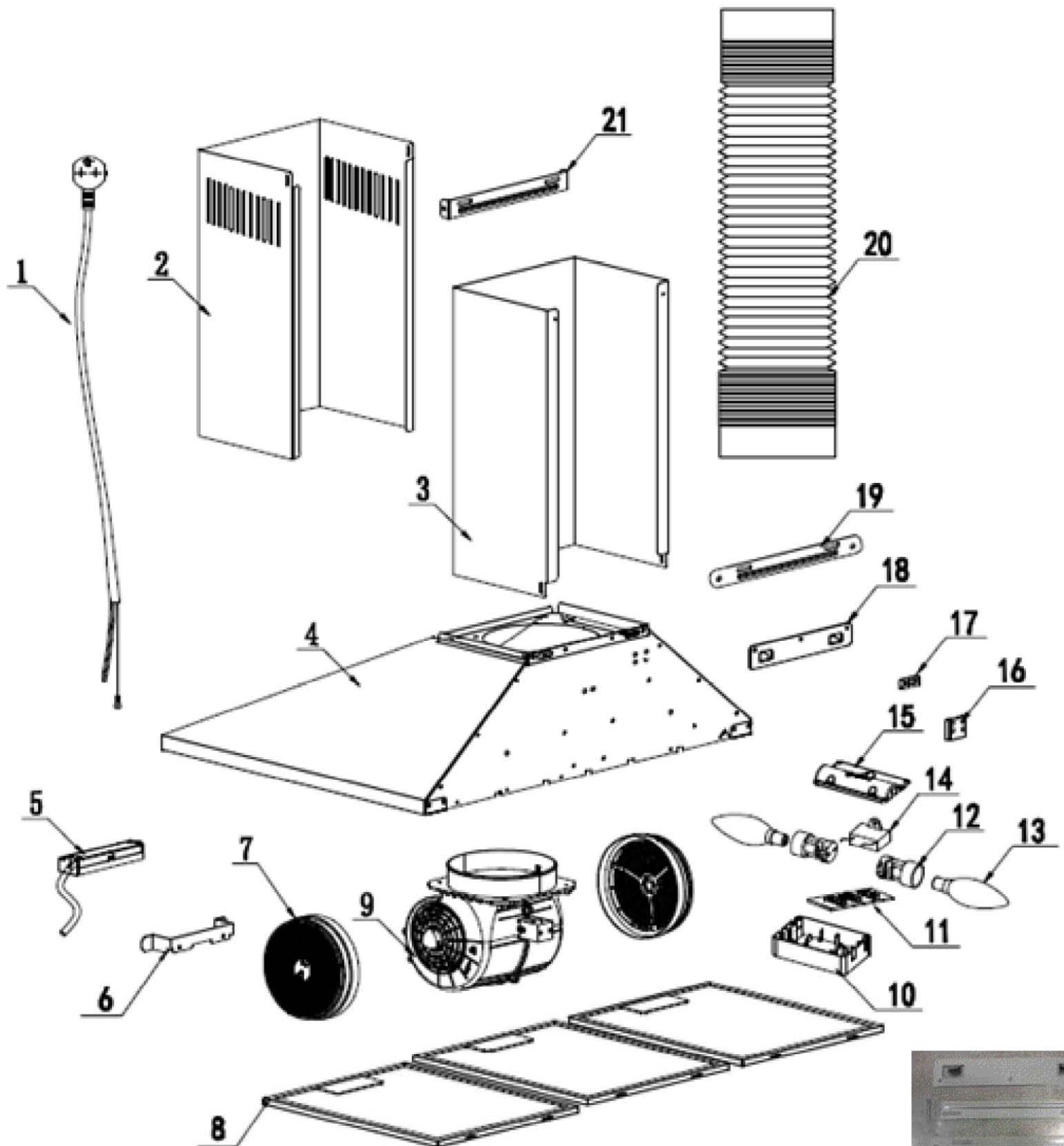
Caple 90cm chimney

**Technical information**

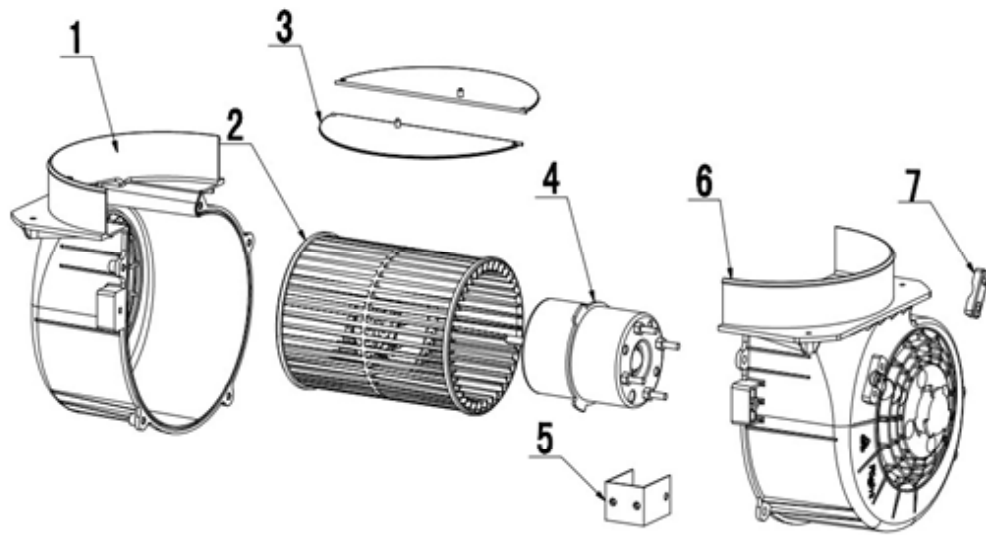


# CCH900BK

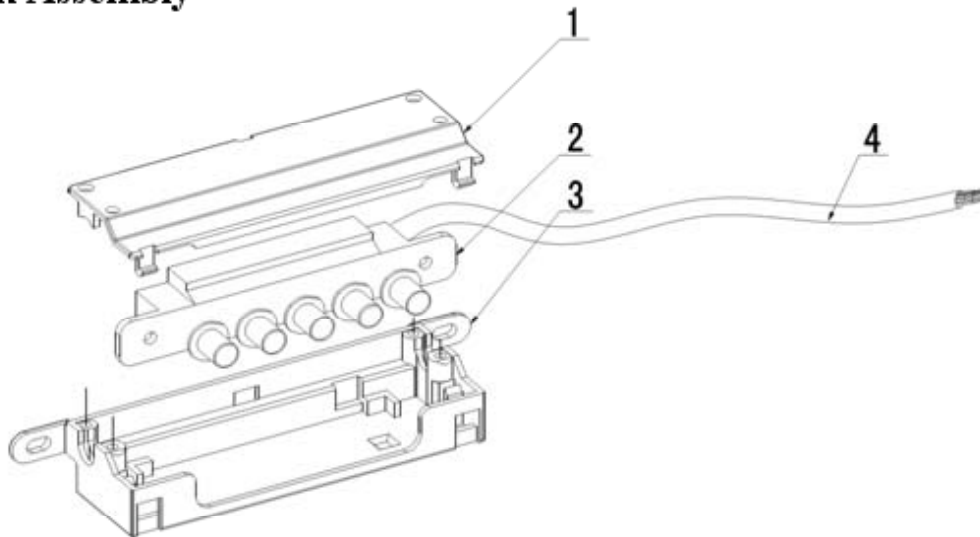
Caple 90cm chimney



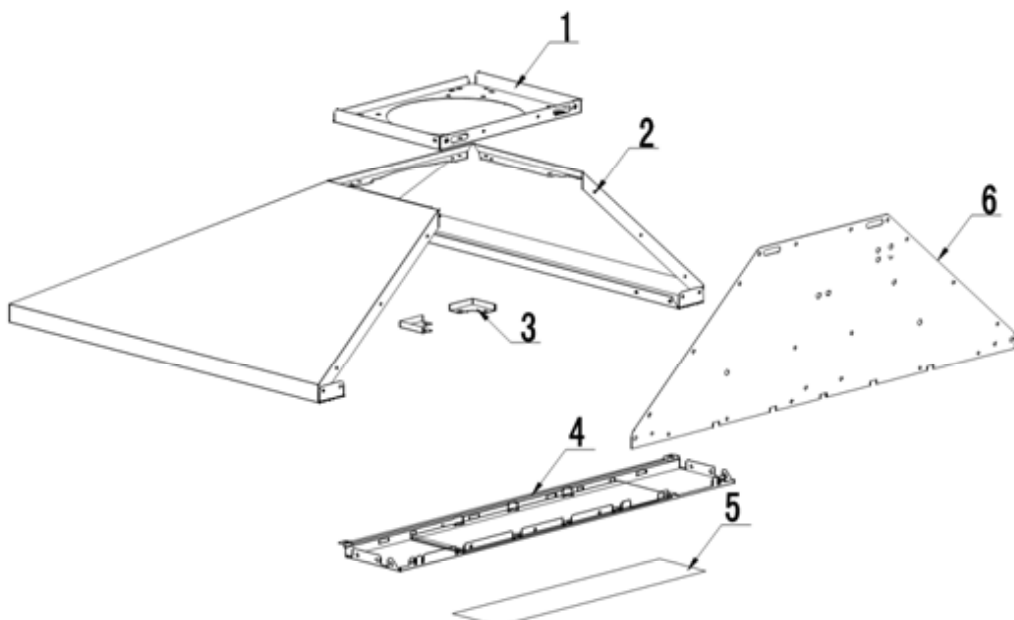
## Motor Assembly



## Switch Assembly



## Chassis Assembly





## CCH900BK - Caple 90cm Chimney

Item	Part Code	Description	Qty
1	B62-2602-043-0	Cable with BS plug	1
2	B21-2201-004-3	Upper Chimney (400MM height)	1
3	B21-2201-006-3	Lower Chimney (400MM height)	1
4	B71-4201-005-3	Casing Assembly	1
5	B76-4301-001-B	Mechanical Switch (PU02) Assembly	1
6	B23-2201-094-P	Switch holder	1
7	B35-2201-100-0	Round carbon filter	2
8	B35-2201-038-0	Alu. Filter	3
9	B76-4201-003-B	Motor Assembly	1
10	B30-2301-137-0	E14 lamp connector cover	1
11	B63-2501-044-0	Connecting plug	1
12	B65-2201-081-0	E14 lamp holder	2
13	B62-2301-071-0	Halogen	2
14	B64-2201-084-0	Motor capacitor(1.5 $\mu$ F)	1
15	B30-2301-138-0	E14 connector upper cover	1
16	B30-2201-020-0	Square holder 1	1
17	B30-2201-021-0	Square holder 2	1
18	B23-2201-012-P	Hang board	1
19	B23-2201-010-P	Lower Chimney Support Bracket	1
20	B36-2201-040-0	$\phi$ 153 Plastic Pipe	1
21	B23-2201-008-P	Upper Chimney Support Bracket	1
	B74-4701-001-B	Fixing Kit	1
For motor accessory (B76-4201-003-B)			
1.1	B30-2201-065-0	Motor housing(left)	1
1.2	B30-2201-067-0	Blower	1
1.3	B30-2201-022-0	One-way Valve Flap(Air Outlet)	2
1.4	B61-2201-064-0	Motor (#350)	1
1.5	B23-2201-069-P	Motor housing holder	1
1.6	B30-2201-066-0	Motor housing(right)	1
1.7	B30-2201-068-0	Motor Holder	1
For Mechanical switch (B76-4201-002-B)			
2.1	B30-2201-090-0	Switch box cover lid	1
2.2	B60-2201-092-0	Push button PU02	1
2.3	B30-2201-089-0	Push button bottom	1
2.4	B62-2301-048-0	Switch Cable(1200mm)	1
For Chassis assembly (B71-4201-001-B)			
3.1	B23-2201-016-P	Round Casing Lid	1
3.2	B21-2201-118-3	900mm Front Housing Panel	1
3.3	B20-2201-019-P	Corner Patch	2
3.4	B21-2301-059-3	900mm Lamp Cover Board	1
3.5	B33-2201-061-0	Lamp cover glass	1
3.6	B23-2201-119-P	900mm Back Board	1