



CCH601SS

Caple 600mm Chimney Stainless Steel

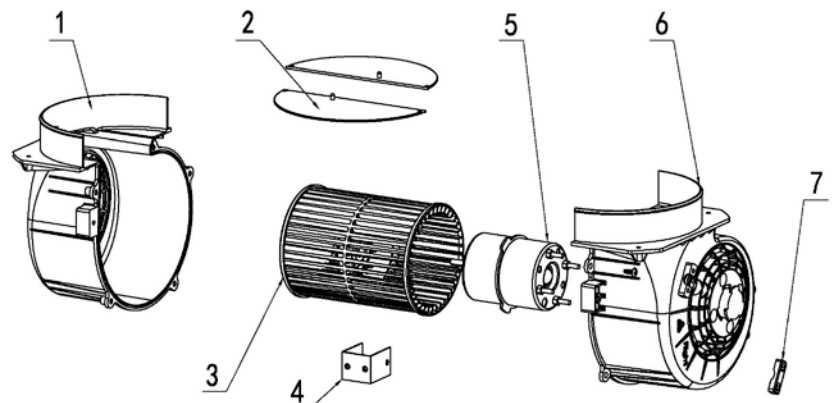
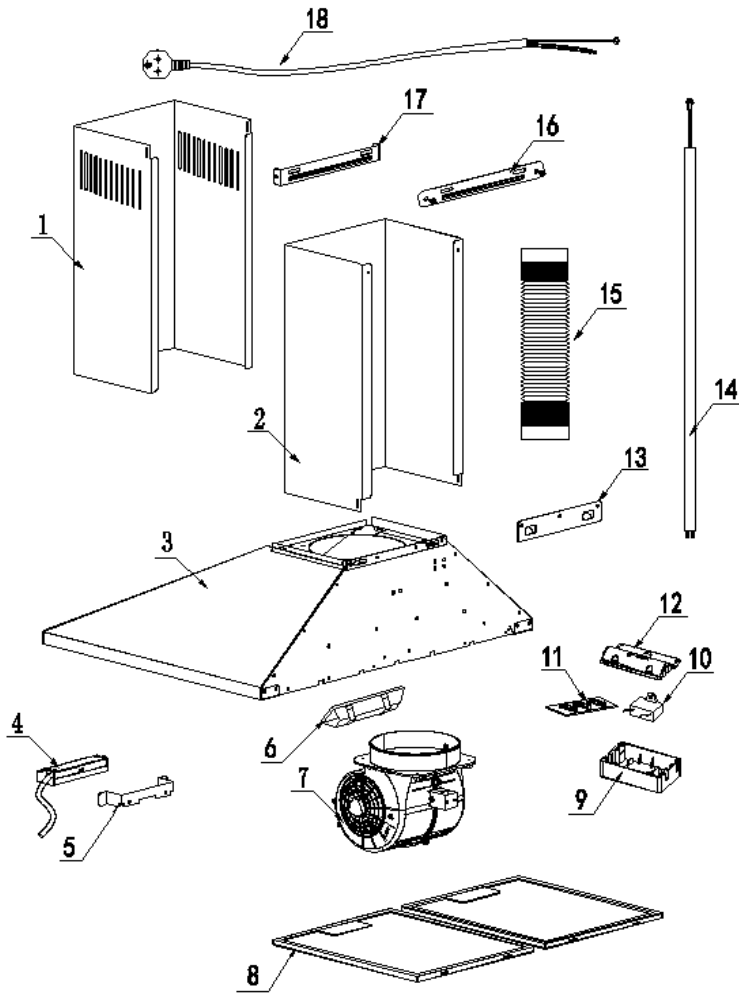


Technical Manual



CCH601SS

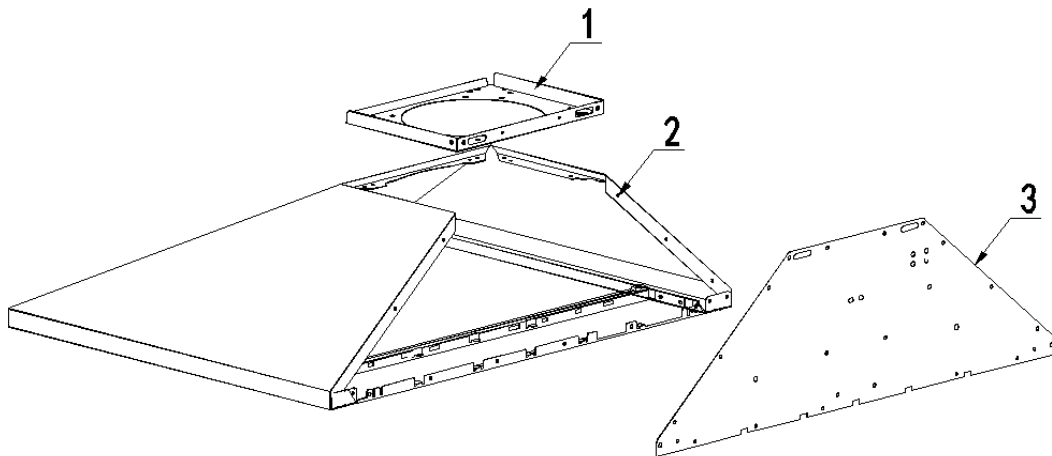
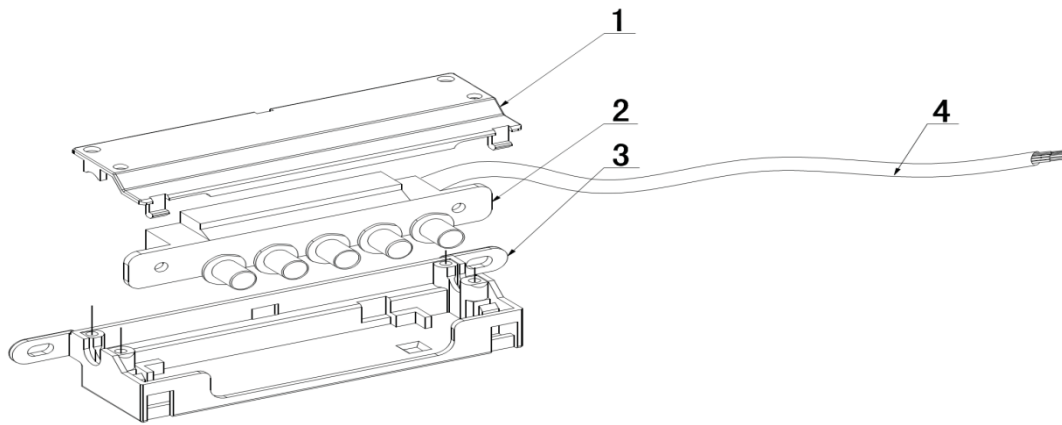
Caple 600mm Chimney Stainless Steel





CCH601SS

Caple 600mm Chimney Stainless Steel





CCH601SS

Caple 600mm Chimney Stainless Steel

Item	Part Number	Description	Quantity
1	B20-2201-004-P	Upper Chimney (400MM height)	1
2	B20-2201-006-P	Lower Chimney (400MM height)	1
3	B71-4201-010-000-01-B	Casing Assembly	N/A
4	B19-K125-001-B	Switch Assembly	1
5	B23-2201-094-P	Switch holder	1
6	B62-2401-592-0	LED lamp	1
7	B76-4201-003-B	Motor Assembly	1
8	B35-2802-021-0	Grease Filter	2
9	B30-2301-139-0	lamp connector cover	1
10	B64-2401-204-0	Motor capacitor(1.5μF)	1
11	B63-2501-044-0	Single motor Wiring Board(PCB)	1
12	B30-2301-140-0	Connector upper cover	1
13	B23-2201-012-P	Hanging Board	1
14	B62-2401-365-0	LED Lamp cable	1
15	B36-2201-040-0	φ153 Plastic Pipe	1
16	B23-2201-010-P	Lower Chimney Support Bracket	1
17	B23-2201-008-P	Upper Chimney Support Bracket	1
18	B62-2602-043-0	UK BS plug cable	1
For Motor Accessory (B76-4201-003-B)			
Item	Part Number	Description	Quantity
1	B30-2201-065-0	Motor housing(left)	1
2	B30-2201-022-0	One-way Valve Flap(Air Outlet)	2
3	B30-2201-067-0	Blower	1
4	B23-2201-069-P	Motor housing holder	1
5	B61-2201-064-0	Motor (#350)	1
6	B30-2201-066-0	Motor housing(right)	1
7	B30-2201-068-0	Motor Holder	1



CCH601SS

Caple 600mm Chimney Stainless Steel

For Mechanical Switch (B19-K125-001-B)			
Item	Part Number	Description	Quantity
1	B30-2201-090-0	Switch box cover lid	1
2	B60-2401-195-0	Push button	1
3	B30-2201-089-0	Push button bottom	1
4	B62-2301-048-0	Switch Cable	1
For Chassis Assembly (B71-4201-010-000-01-B)			
Item	Part Number	Description	Quantity
1	B23-2201-016-P	Round Casing Lid	1
2	B10-2201-182-Q	Casing assembly	1
3	B23-2201-014-P	Back Board	1

