



CCH101

Caple 1000mm Stainless Steel Chimney

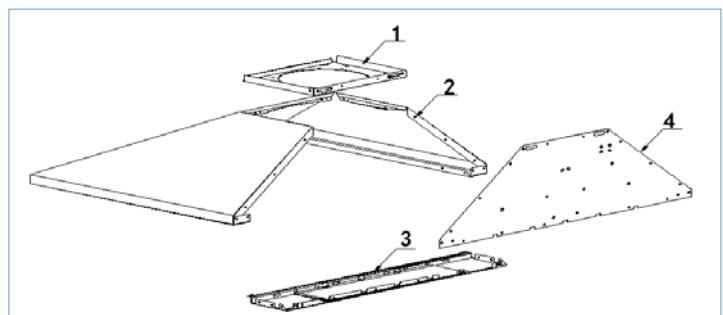
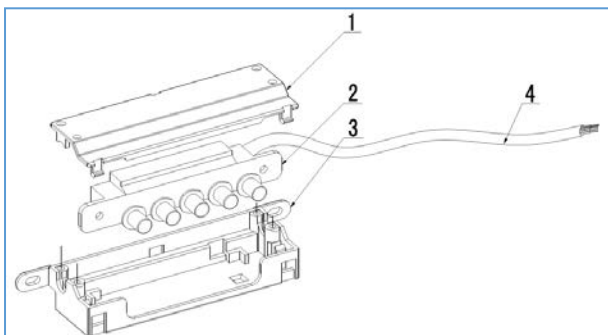
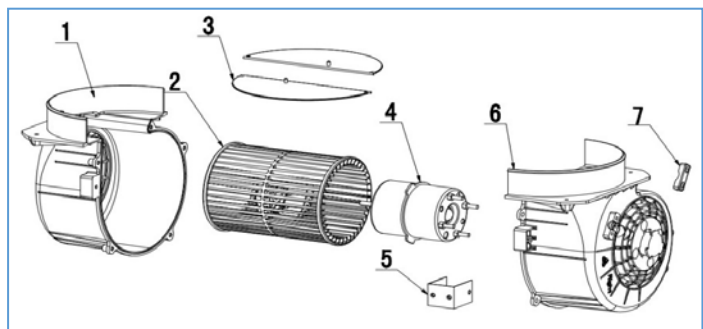
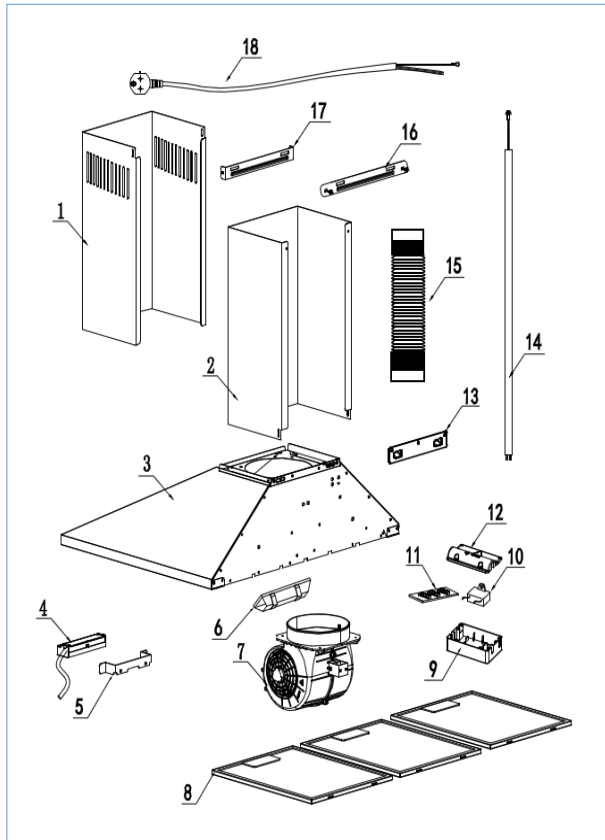


Technical Manual



CCH101

Caple 1000mm Stainless Steel Chimney





CCH101

Caple 1000mm Stainless Steel Chimney

| Item | Part Number | Description | Quantity |
|---|----------------|-----------------------------------|----------|
| 1 | B20-2201-004-P | Upper Chimney (400MM height) | 1 |
| 2 | B20-2201-006-P | Lower Chimney (400MM height) | 1 |
| 3 | B71-4201-006-B | Casing Assembly | 1 |
| 4 | B76-4301-001-B | Mechanical Switch (PU01) Assembly | 1 |
| 5 | B23-2201-094-P | Switch shelf | 1 |
| 6 | B62-2401-592-0 | LED lamp | 2 |
| 7 | B76-4201-003-B | Motor Assembly | 1 |
| 8 | B35-2308-085-0 | Grease filter | 3 |
| 9 | B30-2301-139-0 | Lamp connector cover | 1 |
| 10 | B64-2401-204-0 | Motor capacitor(1.5 μ F) | 1 |
| 11 | B63-2501-044-0 | Connecting plug | 1 |
| 12 | B30-2301-140-0 | Connector upper cover | 1 |
| 13 | B23-2201-012-P | Hanging Board | 1 |
| 14 | B62-2401-365-0 | LED Lamp cable | 1 |
| 15 | B36-2201-040-0 | ϕ 153 Plastic Pipe | 1 |
| 16 | B23-2201-010-P | Lower Chimney Support Bracket | 1 |
| 17 | B23-2201-008-P | Upper Chimney Support Bracket | 1 |
| 18 | B62-2602-043-0 | Plug with cable | 1 |
| For Motor accessory (B76-4201-003-B) | | | |
| 1 | B30-2201-065-0 | Motor housing(left) | 1 |
| 2 | B30-2201-067-0 | Blower | 1 |
| 3 | B30-2201-022-0 | One-way Valve Flap(Air Outlet) | 2 |
| 4 | B61-2201-064-0 | Motor (#350) | 1 |
| 5 | B23-2201-069-P | Motor housing holder | 1 |
| 6 | B30-2201-066-0 | Motor housing(right) | 1 |
| 7 | B30-2201-068-0 | Motor Holder | 1 |
| For Mechanical switch (B76-4301-001-B) | | | |
| 1 | B30-2201-090-0 | Switch box cover lid | 1 |
| 2 | B60-2401-195-0 | Push button PU01 | 1 |
| 3 | B30-2201-089-0 | Push button bottom | 1 |
| 4 | B62-2202-002-0 | Switch Cable | 1 |
| For Chassis assembly (B71-4201-006-B) | | | |
| 1 | B23-2201-016-P | Round Casing Lid | 1 |
| 2 | B20-2201-120-P | 1000mm Front Housing Panel | 1 |
| 3 | B20-2201-176-P | Lamp board | 1 |
| 4 | B23-2201-121-P | 1000mm Back Board | 1 |

