



BXC611

Caple 60cm chimney

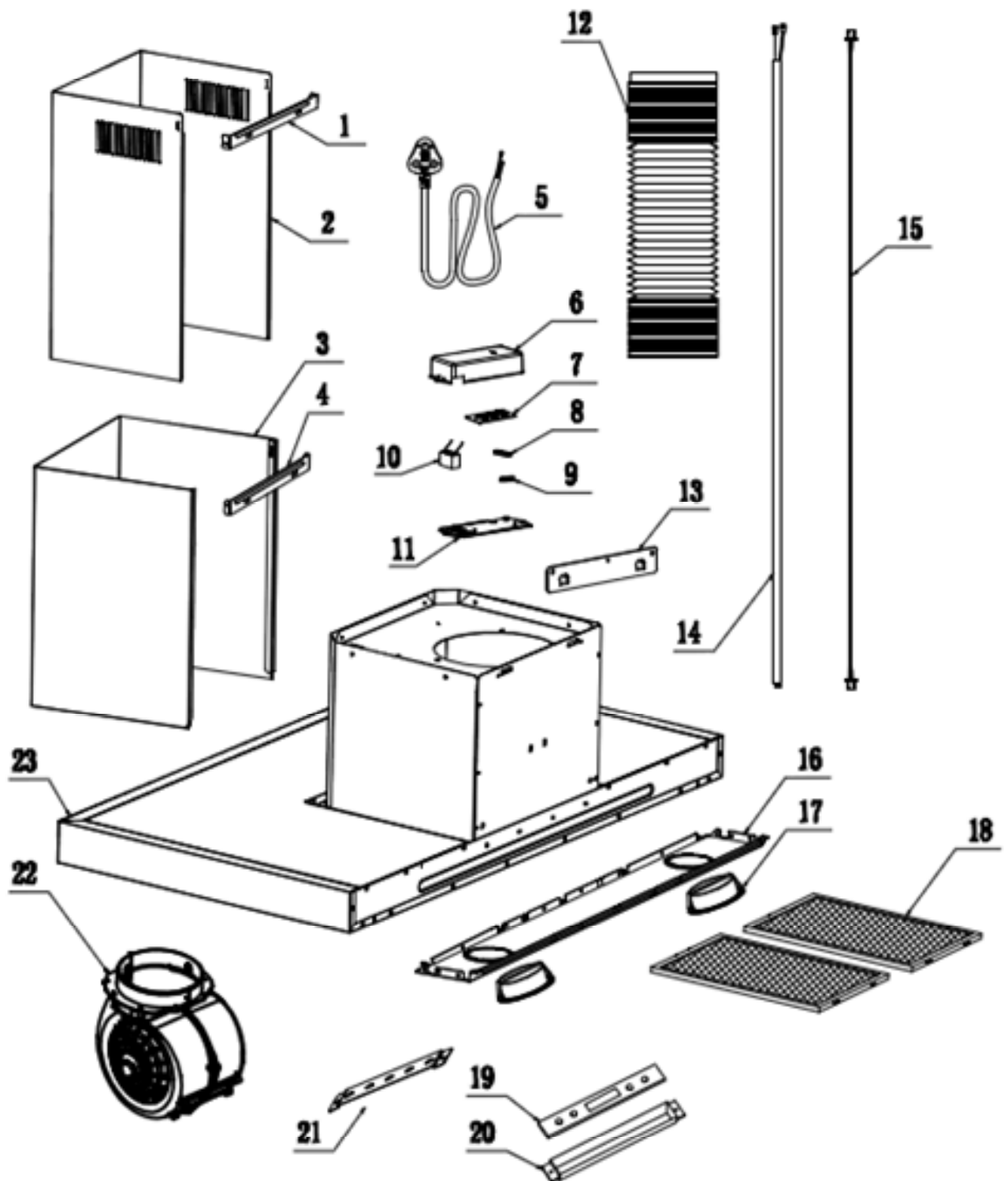


Technical information



BXC611

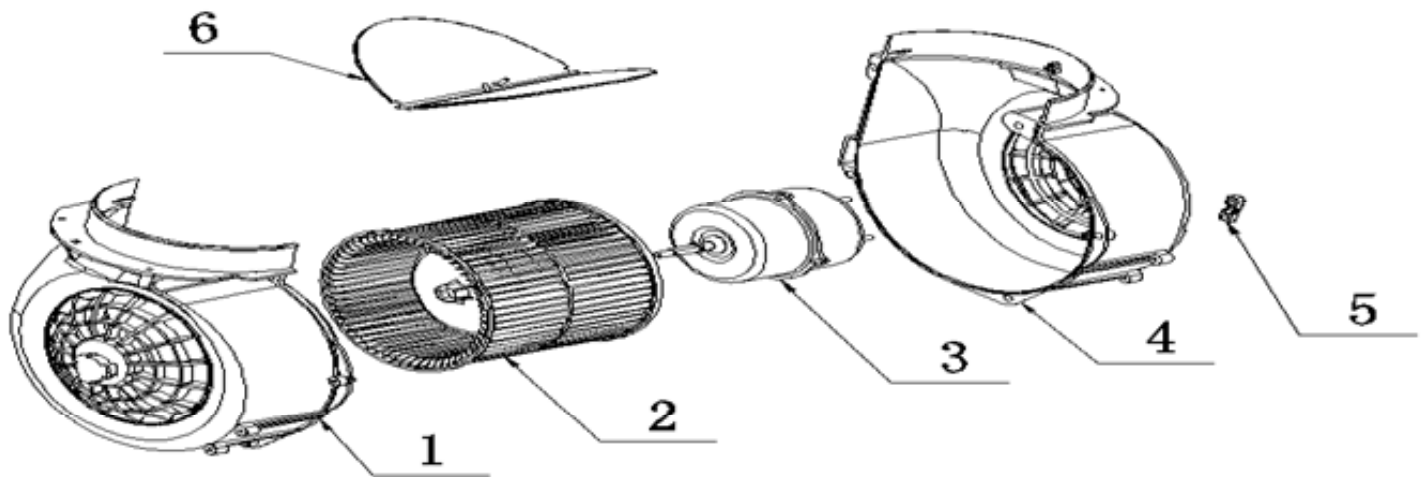
Caple 60cm chimney



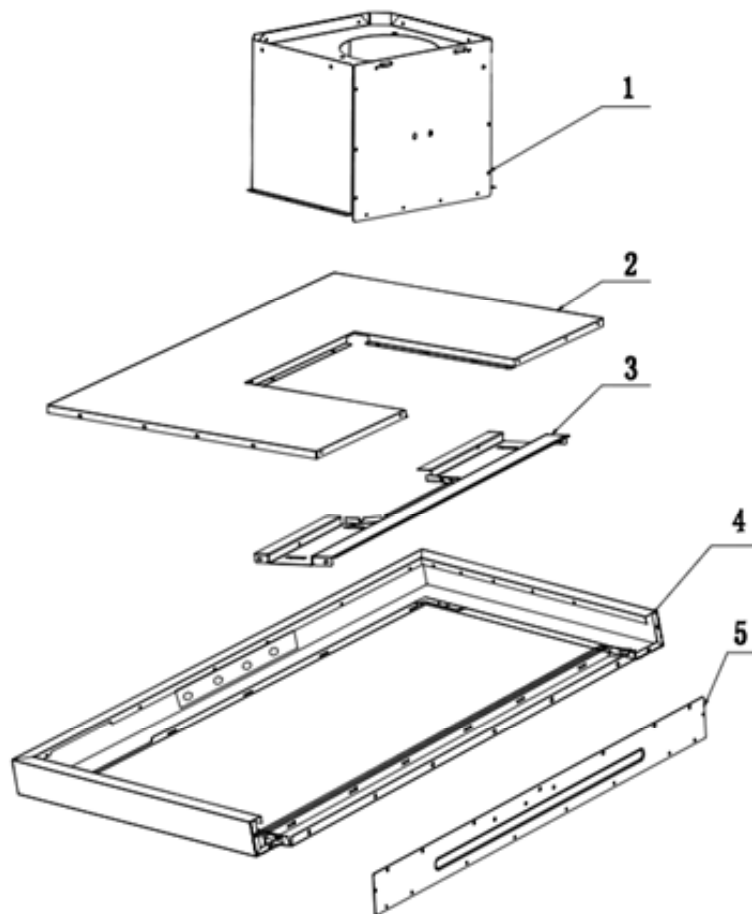
BXC611

Caple 60cm chimney

Motor assembly



Chassis assembly





BXC611 - Caple 60cm chimney

Item	Part Code	Description	Qty
1	B23-2501-029-P	Upper chimney bracket	1
2	B20-2102-036-P	Upper chimney 500mm	1
3	B20-2102-008-P	Lower chimney 500mm	1
4	B23-2501-031-P	Lower chimney bracket	1
5	B62-2602-043-0	UK BS plug cable	1
6	B30-2501-034-0	PCB Box cover	1
7	B63-2401-254-0	PCB Assembly	1
8	B30-2501-035-0	PCB Box wiring holder	1
9	B30-2501-068-0	motor housing wiring holder	1
10	B64-2301-024-0	Capacitor 6 μ F	1
11	B30-2501-025-0	PCB Box bottom	1
12	B36-2201-040-0	Plastic pipe ϕ 153 (2M)	1
13	B23-2201-012-P	Hanger	1
14	B62-2802-008-0	Front cable of LED	1
15	B62-2602-023-0		1
16	B20-2102-019-P	900mm Lamp board	1
17	B62-2401-175-0	LED Lamp (warm color)	2
18	B35-2201-038-0	Aluminum filter	3
19	B63-2401-344-0	Touch PCB	1
20	B23-2103-065-P		1
21	B10-2103-067-Q		1
22	B76-4102-003-B	550m3h Motor assembly	1
23	/	Casing assembly	1
For motor accessory (B76-4102-003-B)			
1	B30-2301-012-0	Motor housing(left)	1
2	B30-2301-014-0	Blower	1
3	B61-2401-286-0	Motor (#550-4)	1
4	B30-2301-013-0	Motor housing(right)	1
5	B30-2201-068-0	Motor housing holder	1
6	B30-2201-022-0	One-way Valve Flap(Air Outlet)	2
For Chassis assembly			
1	B11-0501-002-B	Round Casing Lid	1
2	B20-2102-012-P	600mm casing cover board	1
3	B23-2102-009-P	Frame Support	1
4	B10-2103-075-Q	Frame panel	1
5	B23-2102-003-P	Back support	1

Fixing Kit - B74-4102-001-B

