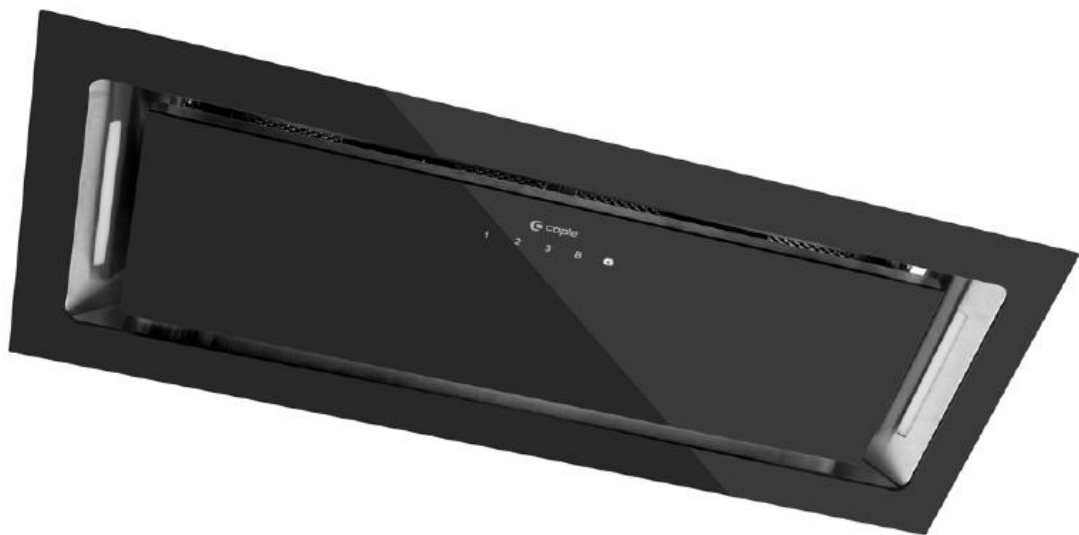




Caple BU755BK

Built under extractor

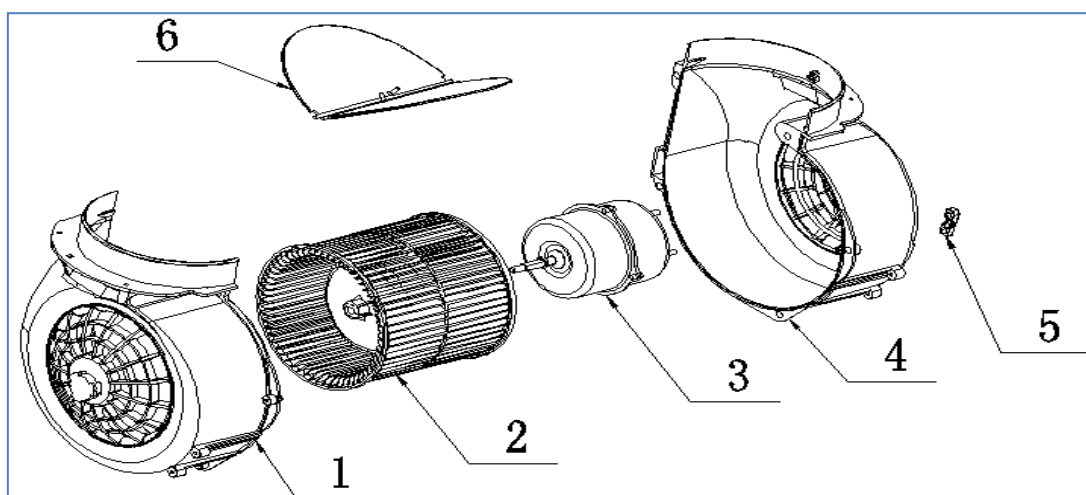
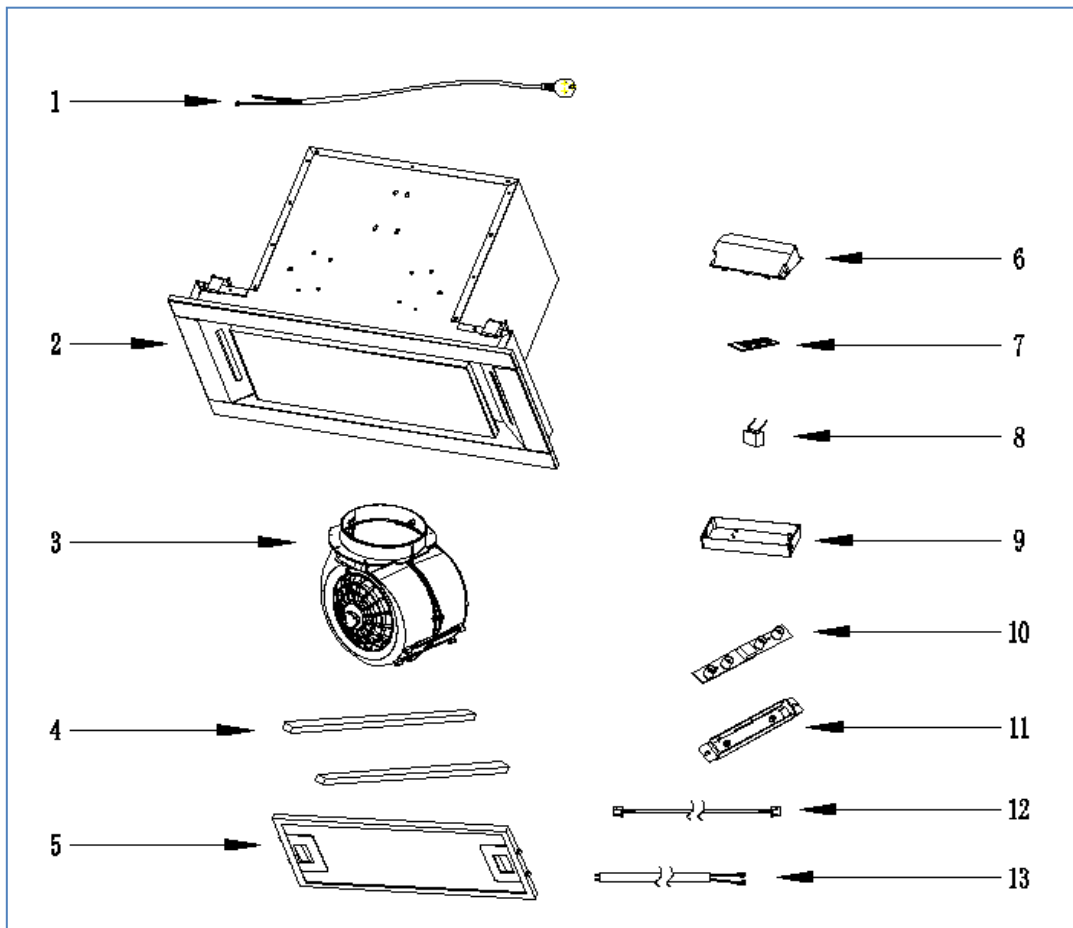


Technical Manual



Caple BU755BK

Built under extractor





Caple BU755BK

Built under extractor

Item	Part Number	Description	Quantity
1	B62-2602-043-0	Plug & Cable	1
2	-	Casing assembly	1
3	B764706B10801B	Motor assembly	1
4	B62-2401-541-0	LED Strip	2
5	B352913B047010	Grease filter	1
6	B30-2125-027-0	PCB box lid	1
7	B63-2501-050-0	PCB	1
8	B64-2401-342-0	6uF capacitor	1
9	B30-2125-028-0	PCB box bottom	1
10	B63-2401-057-0	Switch assembly	1
11	B30-2501-078-0	Switch box bottom	1
12	B62-2401-546-0	Control cable	1
13	B622401724010	Lamp cable	1
	Motor Accessory		
1	B30-2301-012-0	Motor housing - Left	1
2	B30-2301-181-0	Blower	1
3	B612401914010	Motor	1
4	B30-2301-013-0	Motor housing - Right	1
5	B30-2201-068-0	Motor wiring holder	1
6	B30-2201-022-0	One-way Valve Flap(Air Outlet)	2



Caple BU755BK

Built under extractor wiring diagram

