



ATA901

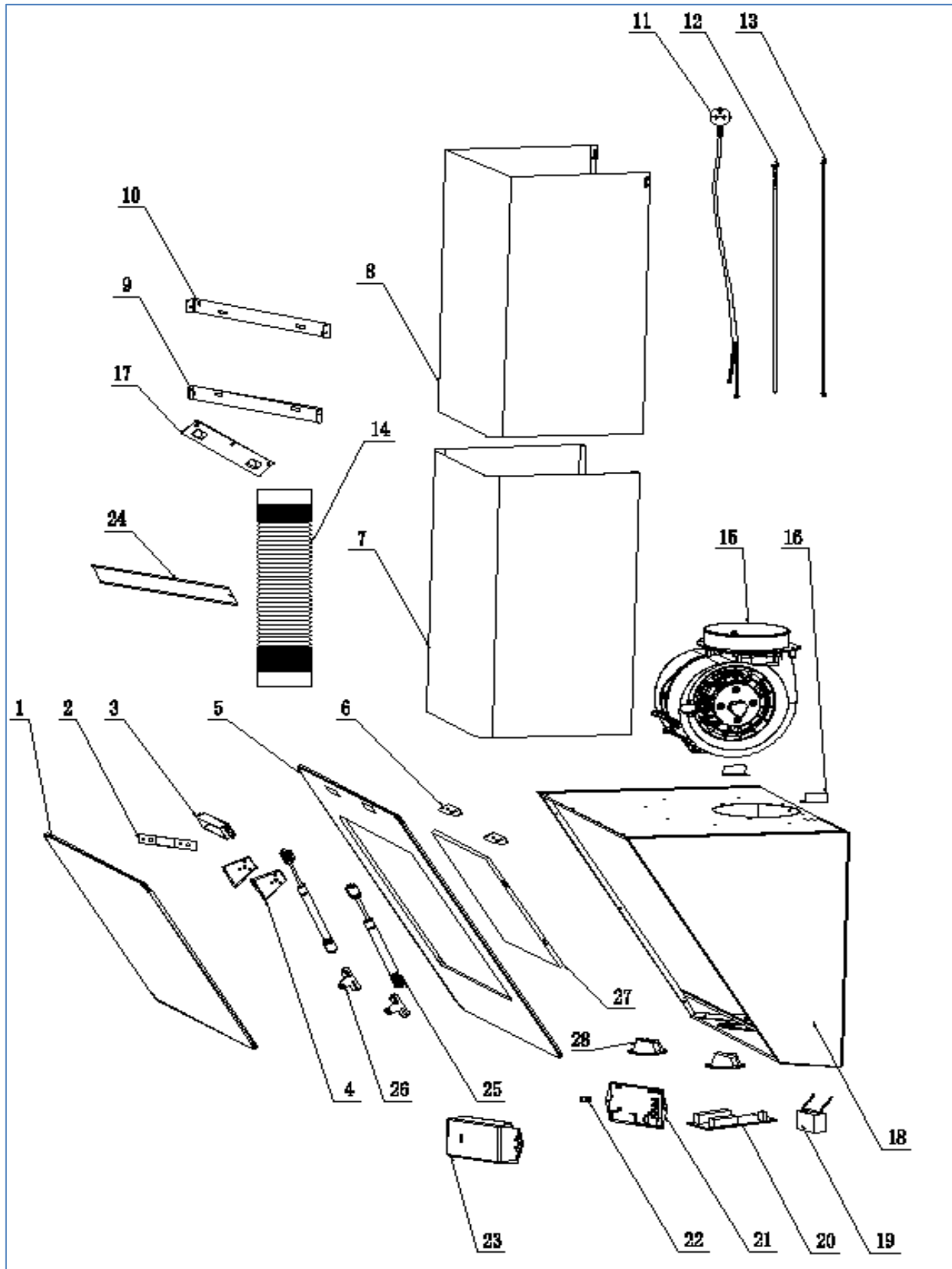
Caple Atara 90cm Hood

Technical Manual



ATA901

Caple Atara 90cm Hood





ATA901

Caple Atara 90cm Hood

Item	Part Number	Description	Quantity
1	B332707033F0502	Switch Glass	1
	B11-2707-004-3D	Connect board assembly	1
	C09-2701-016-0	Hinge	2
2	B63280113900001	Switch PCB	1
3	B30-2501-078-0	Switch box bottom	1
4	B21-2706-006-3	Gas rod support	2
5	B332707012F0501	Glass	1
	B11-2707-003-3D	Front board assembly	1
6	B21-2708-009-3	Hinge support	2
7	B21-2201-006-3D	Lower Chimney	1
8	B21-2201-004-3D	Upper Chimney	1
9	B23-2201-010-P	Lower chimney bracket	1
10	B23-2201-008-P	Upper Chimney bracket	1
11	B62-2701-050-0	Cable with BS plug	1
12	B62-2401-070-0	LED lamp wire	1
13	B62-2705-023-0	Power switch wire	1
14	B36-2102-100-0	φ153 plastic pipe	1
15	B76-3750-002-B	Motor assembly	1
16	B23-2705-008-P	Chimney fix metal	2
17	B23-2201-012-P	Hanging board	1
18	B21-2705-004-3D	Back board	1
	B21-2705-005-3D	Left board	1
	B21-2705-006-3D	Right board	1
	B21-2705-007-3D	Lamp cover board	1
	B21-2705-071-3D	Back board strip	1
19	B64-2401-342-0	5uF electric capacity	1
20	B63-2401-254-0	Power PCB	1
21	B30-2501-025-0	PCB Box bottom	1
22	B30-2201-068-0	Motor housing holder	1
23	B30-2501-034-0	PCB Box Lid	1
24	B21-2706-009-3D	Switch box Lid	1
25	B29-2705-131-0	Gas rod	2
26	B21-2706-006-3	Gas rod support	2
27	B35-2802-021-0	Grease filter	1
28	B62-2401-175-0	LED lamp	2