



ATA900

Caple Sense Atara 90cm Hood – Black

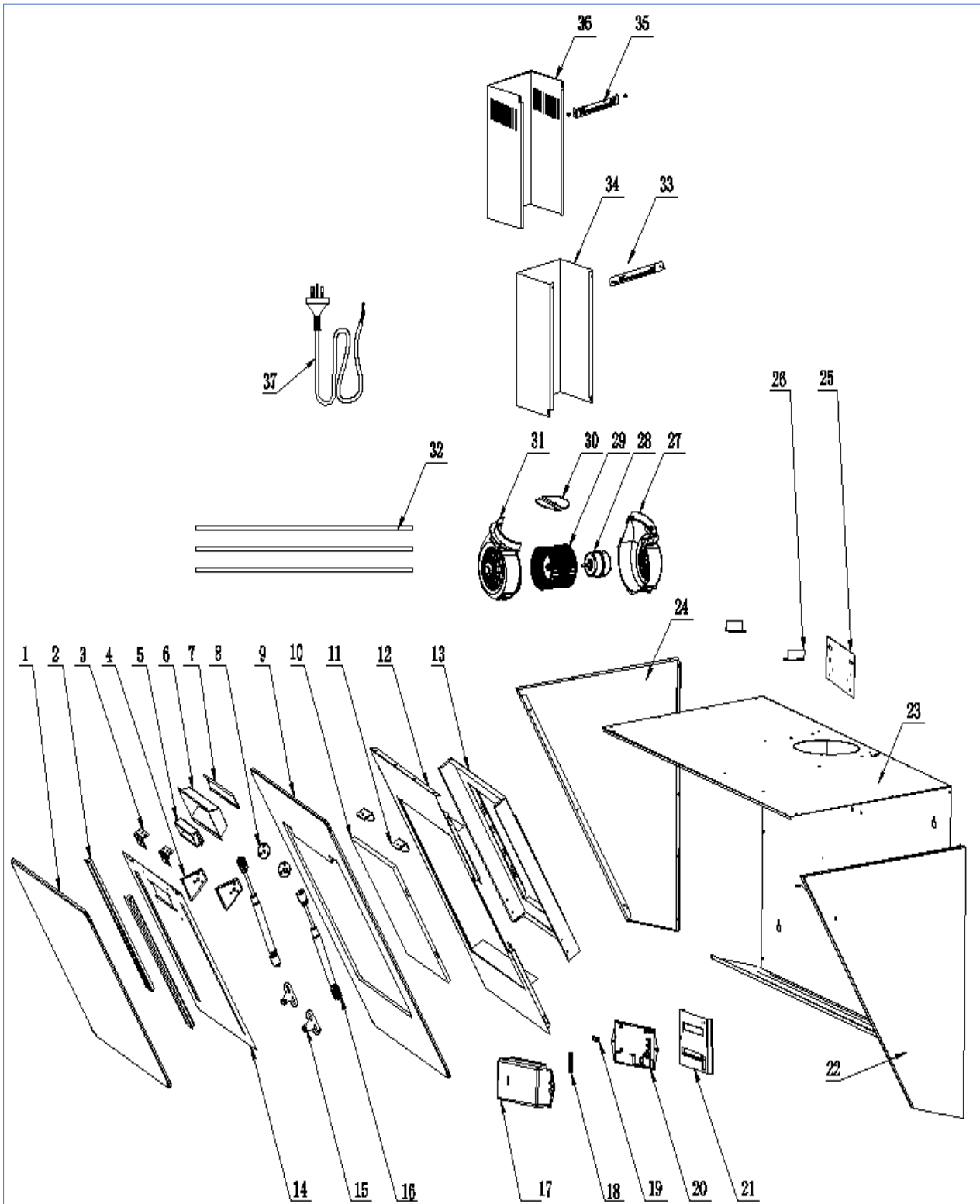


Technical Manual



ATA900

Cable Sense Atara 90cm Hood – Black





ATA900

Caple Sense Atara 90cm Hood – Black

Item	Part Number	Description	Quantity
1	B33-2707-033-F05-02-0	Switch Glass	1
2	B21-2706-015-P	Glass support A	1
3	C09-2701-016-0	Hinge	2
4	B21-2706-006-3	Gas rod support	2
5	B30-2501-078-0	Switch box bottom	1
6	B21-2706-009-3D	Switch box Lid	1
7	B32-2708-031-0	Rubber column	2
8	B29-2706-014-0	Gas rod Rotating support A	1
9	B33-2707-012-F05-01-0	Glass	1
10	B35-2802-021-0	Grease filter	2
11	B21-2708-009-3	Hinge support	1
12	B21-2707-021-P	Front board	2
13	B21-2706-013-P	Filter board	2
14	B21-2707-005-P	Connect board	1
15	B29-2706-008-0	Gas rod Rotating support B	1
16	B29-2705-131-0	Gas rod	2
17	B30-2501-034-0	PCB Box Lid	1
18	B30-2201-020-0	Square holder 1	1
19	B30-2201-068-0	Motor housing holder	1
20	B30-2501-025-0	PCB Box bottom	2
21	B23-2705-019-P	PCB Box support	1
22	B21-2705-006-3D	Right board	1
23	B21-2705-004-3D	Back board	1
24	B21-2705-005-3D	Left board	1
25	B23-2201-012-P	Hanging board	1
26	B23-2705-008-P	Chimney fix metal	1
27	B30-2301-013-0	Motor housing-right	1
28	B61-2401-353-0	Motor	1
29	B30-2301-181-0	Blower	2
30	B30-2201-022-0	One-way Valve Flap (Air Outlet)	1
31	B30-2301-012-0	Motor housing-left	1
32	B24-2707-034-0	Aluminium strip	1
33	B23-2201-010-P	Lower chimney bracket	1
34	B21-2201-006-3D	Lower Chimney	1
35	B23-2201-008-P	Upper Chimney bracket	1
36	B21-2201-004-3D	Upper Chimney	1
37	B62-2701-050-0	Cable with BS plug	1
	B62-2401-175-0	LED	2
	B63-2401-254-0	Main PCB	1