



AH600BK

Caple Angled Wall Hood Black

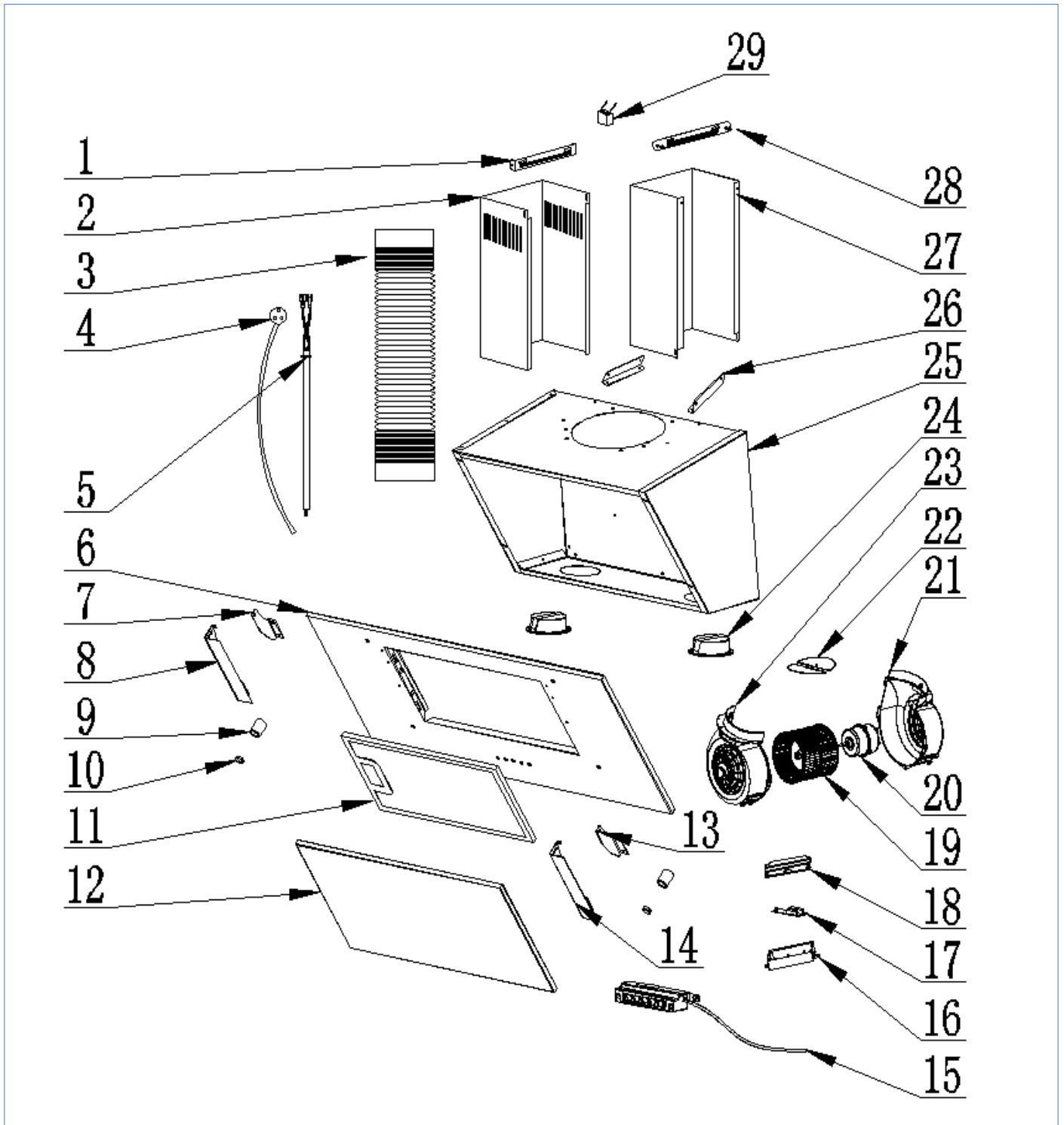


Technical Manual



AH600BK

Caple Angled Wall Hood Black





AH600BK

Caple Angled Wall Hood Black

Item	Part Number	Description	Quantity
1	B23-2201-008-P	Upper Chimney Support Bracket	1
2	B21-2201-004-3D	Upper Chimney (400MM height)	1
3	B36-2201-040-0	φ153 Plastic Pipe	
4	B62-2602-043-0	UK BS plug cable	1
5	B62-2401-605-0	Lamp Cable	1
6	B11-2736C-006-3D	Push button Lower Chimney Assembly	1
7	B21-2736C-012-000-01-3D	Lower support right	1
8	B21-2736C-016-000-01-3D	Upper support right	1
9	B32-2736C-019-0	Silica gel column	2
10	B29-2703-016-E09-01-0	Magnet	1
11	B35-2736C-020-0	Grease filter	1
12	B21-2736C-024-3D	Front board	1
13	B21-2736C-011-000-01-3D	Lower support left	1
14	B21-2736C-013-000-01-3D	Upper support left	1
15	B30-2201-089-0	Push button box bottom	1
	B30-2201-090-0	Push button Box Lid	1
	B60-2401-609-0	Push button	1
	B62-2401-608-0	Switch Cable	1
16	B30-2301-139-0	Connector cover	1
17	B63-2501-044-0	Single motor Wiring Board (PCB)	1
18	B30-2301-140-0	Connector upper cover	1
19	B30-2201-067-0	Blower	1
20	B61-2401-607-0	Motor (#350)	1
21	B30-2201-066-0	Motor housing(right)	1
22	B30-2201-022-0	One-way Valve Flap (Air Outlet)	2
23	B30-2201-065-0	Motor housing(left)	1
24	B62-2401-604-0	LED lamp	2
25	B11-2736C-001-3D	Casing assembly	1
26	B23-2705-008-P	Lower Chimney Positioning	1
27	B21-2201-006-3D	Lower Chimney (400MM height)	1
28	B23-2201-010-P	Lower Chimney Support Bracket	1
29	B64-2401-606-0	Motor capacitor	1

