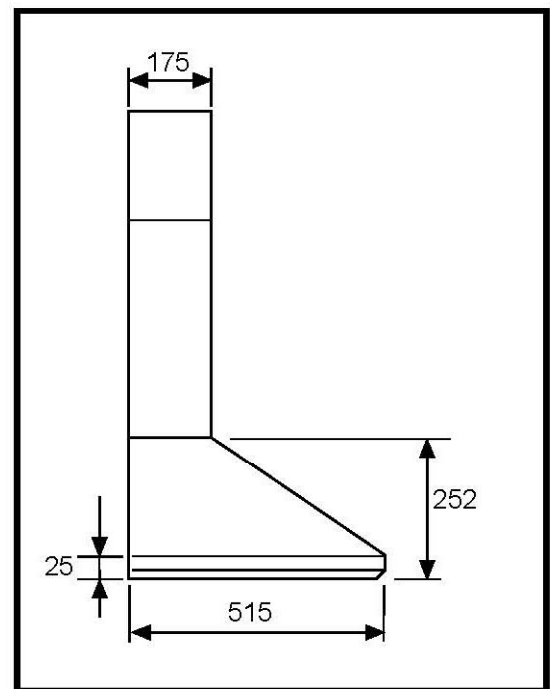
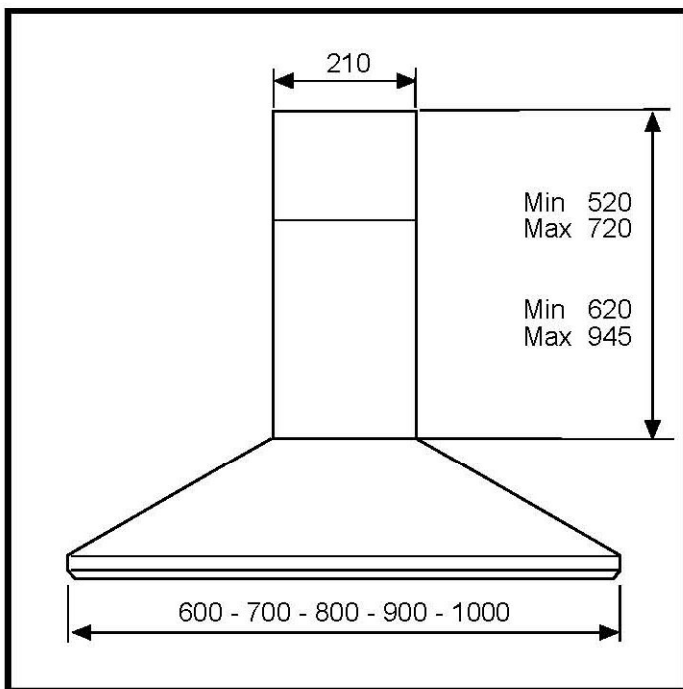




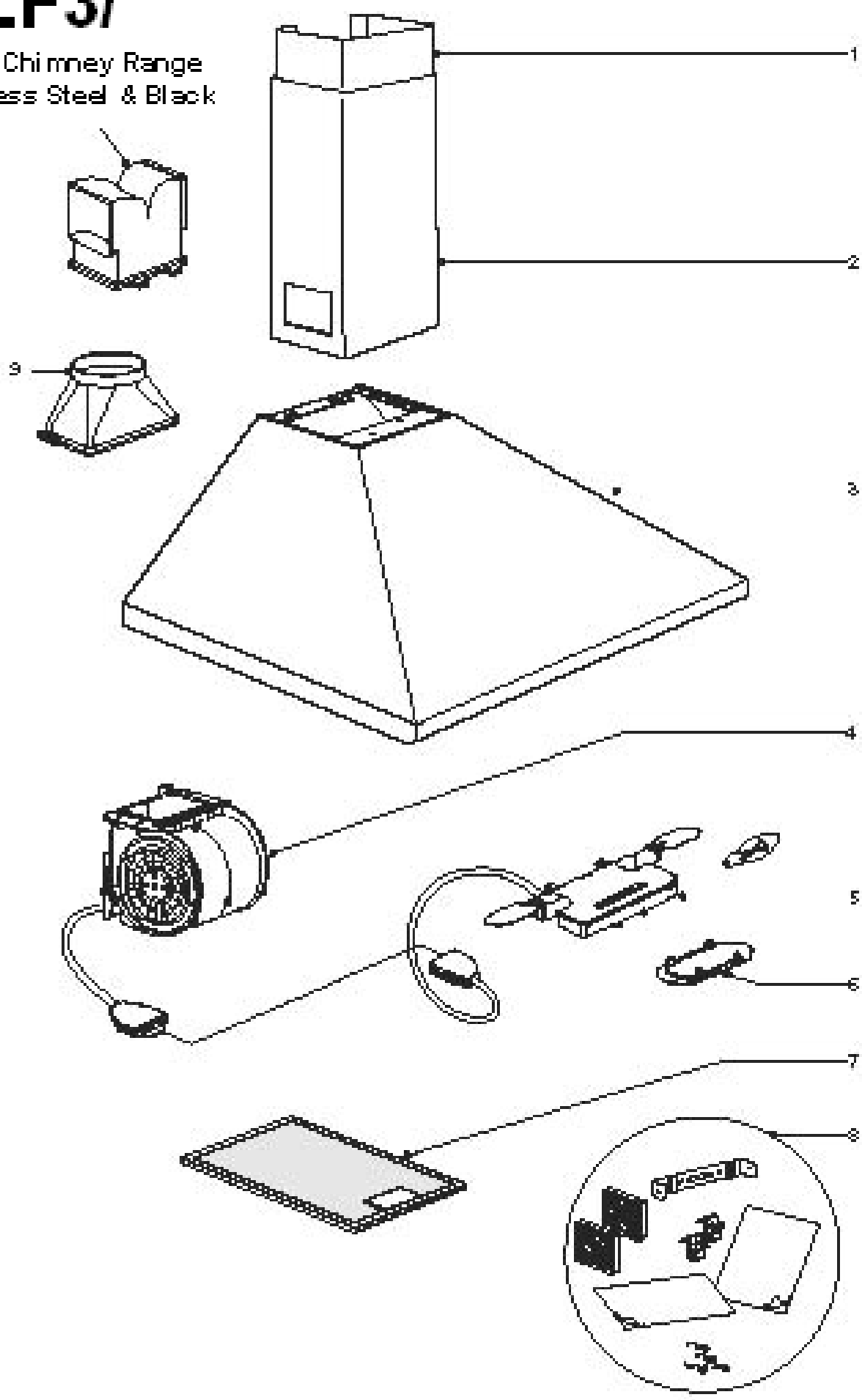
# SLF3/\*\*\*

Caple Chimney Range  
Stainless Steel & Black



# SLF3/\*\*\*

Cape Chimney Range  
Stainless Steel & Black





# SLF3/60B

## Caple 600mm Chimney

### Parts List

POS.	CODE		QUANTITY
1	AFCPSBC	CHIMNEY UPPER SECTION	1
2	AFCPFBC	CHIMNEY LOWER SECTION	1
3	AFCC60SL	HOOD	1
4	AFAGMECO	MOTOR	1
5	AFAGCECO	CONTROL	1
6	AFPLAF	LAMP COVER	2
7	AFG60-90ECO	FILTER	2
8	DOC01355	DOCUMENT	1
9	AFRUA125	AIR OUTLET	1
10	3010DF	FILTERING OUTLET	1



# SLF3/60SS

## Caple 600mm Chimney Stainless Steel

### Parts List

POS.	CODE		QUANTITY
1	AFCPSBX375	CHIMNEY UPPER SECTION	1
2	AFCPFBX388	CHIMNEY LOWER SECTION	1
3	AFCCX60SL	HOOD	1
4	AFAGMECO	MOTOR	1
5	AFAGCECO	CONTROL	1
6	AFPLAF	LAMP COVER	2
7	AFG60-90ECO	FILTER	2
8	DOC01355	DOCUMENT	1
9	AFRUA125	AIR OUTLET	1
10	3010DF	FILTERING OUTLET	1



# SLF3/60WH

## Caple 600mm Chimney

Item	Part No.	Description	Qty
1	<b>AFGPSBC</b>	UPPER CHIMNEY. BASSO 60/90 COLOR	1
2	<b>AFCPFAC</b>	LOWER CHIMNEYALTO 60/90 COLOR	1
3	<b>AFCC60SL</b>	HOOD COMPLE. LAMIERA 60 SL	1
4	<b>AFAGMECO</b>	MOTOR	1
5	<b>AFAGCECO</b>	CONTROL PANNEL	1
6	<b>AFPLAF</b>	LAMP COVER	2
7	<b>AFG60-90ECO</b>	FILTER 60-90 [ECO]	2
8	<b>DOC01585</b>	AS.DOC. GR W	1
9	<b>AFRUA125</b>	DUCTING OUTLET. 125	1
10	<b>3010DF</b>	RECYCLING OUTLET	1



# SLF3/70SS

## Caple 700mm Chimney Stainless Steel

### Parts List

POS.	CODE		QUANTITY
1	AFCPSBX375	CHIMNEY UPPER SECTION	1
2	AFCPFBX388	CHIMNEY LOWER SECTION	1
3	AFCCX70SL	HOOD	1
4	AFAGMECO	MOTOR	1
5	AFAGCECO	CONTROL	1
6	AFPLAF	LAMP COVER	1
7	AFG60-90ECO	FILTER	2
8	DOC01355	DOCUMENT	1
9	AFRUA125	AIR OUTLET	1
10	3010DF	FILTERING OUTLET	1



# SLF3/90B

## Caple 900mm Chimney

### Parts List

POS.	CODE		QUANTITY
1	AFCPSBC	CHIMNEY UPPER SECTION	1
2	AFCPFBC	CHIMNEY LOWER SECTION	1
3	AFCC90SL	HOOD	1
4	AFAGMK30PR	MOTOR	1
5	AFAGCECO	CONTROL	1
6	AFPLAF	LAMP COVER	2
7	AFG60-90ECO	FILTER	3
8	DOC01355	DOCUMENT	1
9	AFRUA125	AIR OUTLET	1
10	3010DF	FILTERING OUTLET	1



# SLF3/90SS

## Caple 900mm Chimney Stainless Steel

### Parts List

POS.	CODE		QUANTITY
1	AFCPSBX375	CHIMNEY UPPER SECTION	1
2	AFCPFBX388	CHIMNEY LOWER SECTION	1
3	AFCCX90SL	HOOD	1
4	AFAGMK37	MOTOR	1
5	AFAGCECO	CONTROL	1
6	AFPLAF	LAMP COVER	1
7	AFG60-90ECO	FILTER	3
8	DOC01355	DOCUMENT	1
9	AFRUA125	AIR OUTLET	1
10	3010DF	FILTERING OUTLET	1



# SLF3/90WH

## Caple 900mm Chimney

Item	Part No.	Description	Qty
1	<b>AFGPSBC</b>	UPPER CHIMNEY. BASSO 60/90 COLOR	1
2	<b>AFCPFAC</b>	LOWER CHIMNEYALTO 60/90 COLOR	1
3	<b>AFCC90SL</b>	HOOD COMPLE. LAMIERA 90 SL	1
4	<b>AFAGMECO</b>	MOTOR	1
5	<b>AFAGCECO</b>	CONTROL PANNEL	1
6	<b>AFPLAF</b>	LAMP COVER	2
7	<b>AFG60-90ECO</b>	FILTER 60-90 [ECO]	3
8	<b>DOC01585</b>	AS.DOC. GR W	1
9	<b>AFRUA125</b>	DUCTING OUTLET. 125	1
10	<b>3010DF</b>	RECYCLING OUTLET	1



# SLF3/100SS

## Caple 1000mm Chimney Stainless Steel

### Parts List

POS.	CODE		QUANTITY
1	AFCPSBX375	CHIMNEY UPPER SECTION	1
2	AFCPFBX388	CHIMNEY LOWER SECTION	1
3	AFCCX100SL	HOOD	1
4	AFAGMK37	MOTOR	1
5	AFAGCECO	CONTROL	1
6	AFPLAF	LAMP COVER	2
7	AFG60-90ECO	FILTER	3
8	DOC01355	DOCUMENT	1
9	AFRUA125	AIR OUTLET	1
10	3010DF	FILTERING OUTLET	1



# SLF3/60SS & SLF3/70SS

Caple Stainless Steel Chimney



## Data Sheet

MOTOR	TYPE	ABSORPTION			VOLT/FREQ.	
			W		V.	Hz
	450m3/h		180		220-230	50
AIR FLOW (m3/h)	EXHAUSTING			RECIRCULATION		
	1	2	3	1	2	3
	160	270	450	135	230	380
MAX NOISE (DbA)	1° speed		2° speed		3° speed	
	52 DbA		58 DbA		62 DbA	
LAMPS	NR.			TYPE		
	2			40W		



# SLF3/\*\*\*\*

Caple White or Black Chimney's  
(600mm and 900mm models only)



## Data Sheet

MOTOR	TYPE	ABSORPTION			VOLT/FREQ.	
			W		V.	Hz
	400m3/h		160		220-230	50
AIR FLOW (m3/h)	EXHAUSTING			RECIRCULATION		
	1	2	3	1	2	3
	150	250	400	125	210	340
MAX NOISE (DbA)	1° speed		2 ° speed		3° speed	
	52		56		60	
LAMPS	NR.			TYPE		
	2			40W		
For the models SLF3/60B -- SLF3/60W -- SLF3/90B -- SLF3/90W						



# SLF3/\*\*\*

## Caple Stainless Steel Chimney



### Data Sheet

MOTOR	TYPE	ABSORPTION			VOLT/FREQ.	
		W			V.	Hz
	550m3/h		180		220-230	50
AIR FLOW (m3/h)	EXHAUSTING			RECIRCULATION		
	1	2	3	1	2	3
	180	270	550	145	230	420
MAX NOISE (DbA)	1° speed		2° speed		3° speed	
	52 DbA		58 DbA		64	
LAMPS	NR.			TYPE		
	2			40W		
<b>For the models SLF3/90SS – SLF3/100SS</b>						