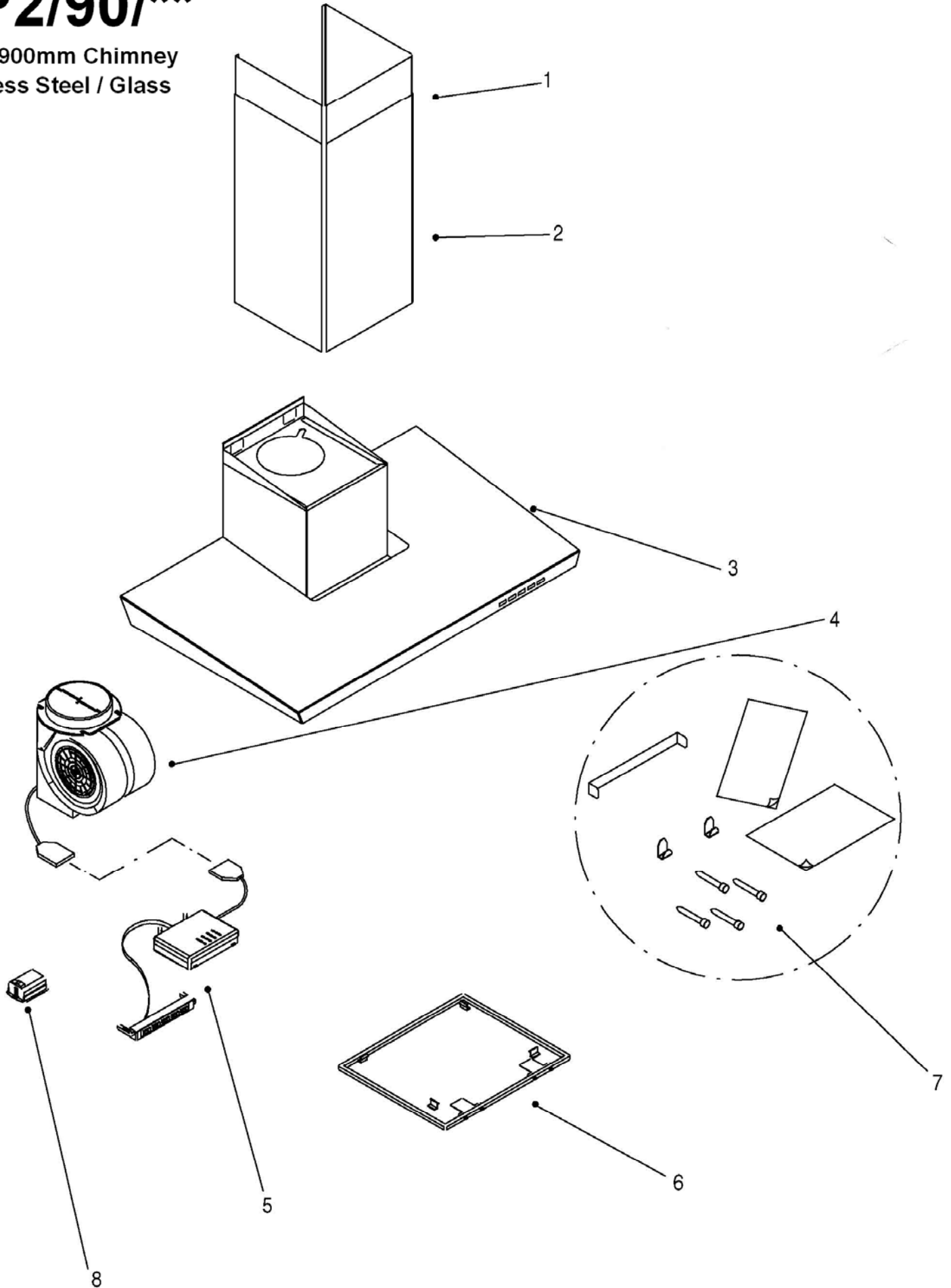


FP2/90/**

Caple 900mm Chimney
Stainless Steel / Glass





FP2/90/**

Caple 900mm Chimney Stainless Steel / Glass

Parts List

POS.	CODE		QUANTITY
1	AFCPSXP2	CHIMNEY UPPER SECTION	1
2	AFCPFXP2	CHIMNEY LOWER SECTION	1
3	AFCCP2	HOOD	1
4	AFAGMALU900	MOTOR	1
5	AFABGCELXP	CONTROL	1
6	AFGP	FILTER	2
7	AFSACACCF15	DOCUMENT	1
8	AFFARETTOALOP	LAMP	2



FP2/90/**

Caple 900mm Chimney
Stainless Steel / Glass



MOTOR	ABSORPTION				VOLT/FREQ.			
	W				V.		Hz	
	190				220-230		50	
AIR FLOW (m3/h)	EXHAUSTING				RECIRCULATION			
	1	2	3	4	1	2	3	4
	200	400	600	900	150	330	570	900
MAX NOISE (DbA)	1° speed		2° speed		3° speed		4° speed	
	54 DbA		58 DbA		64 DbA		68 DbA	