



F301/60

F301/850/60

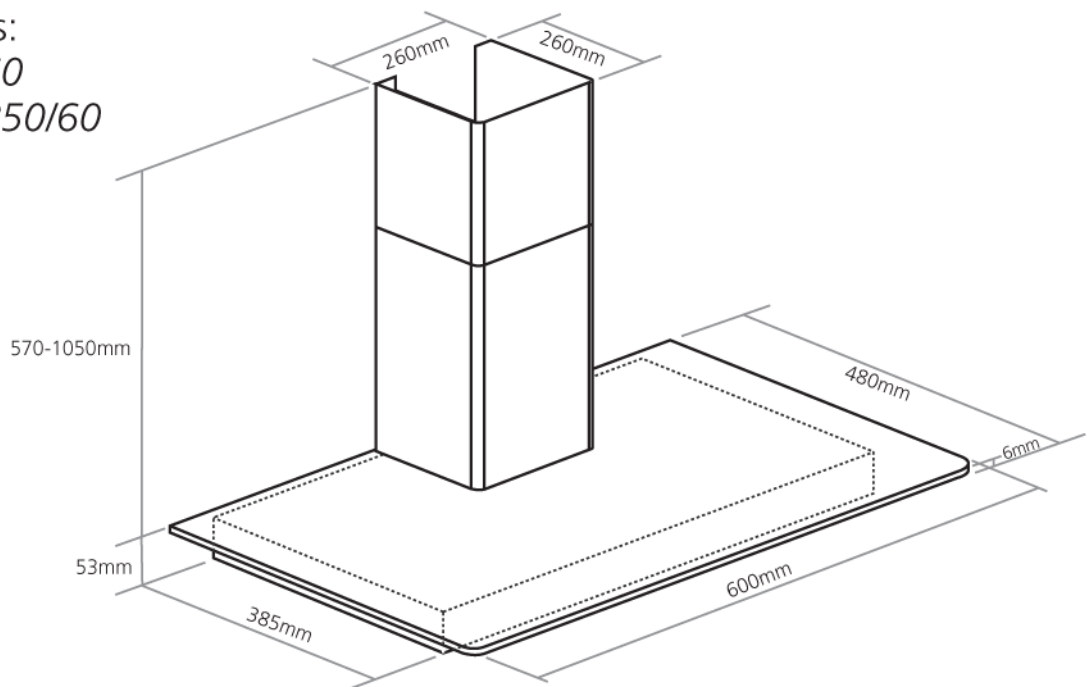
F301/90

Caple Stainless Steel / Glass Chimney

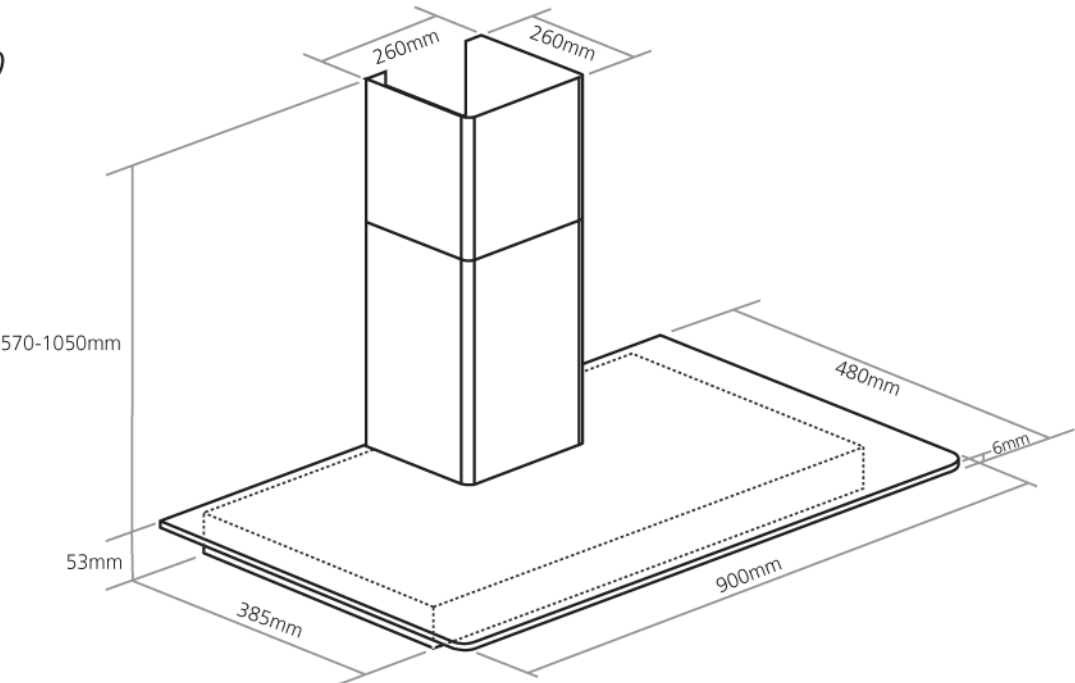


TECHNICAL INFORMATION

Models:
F301/60
F301/850/60

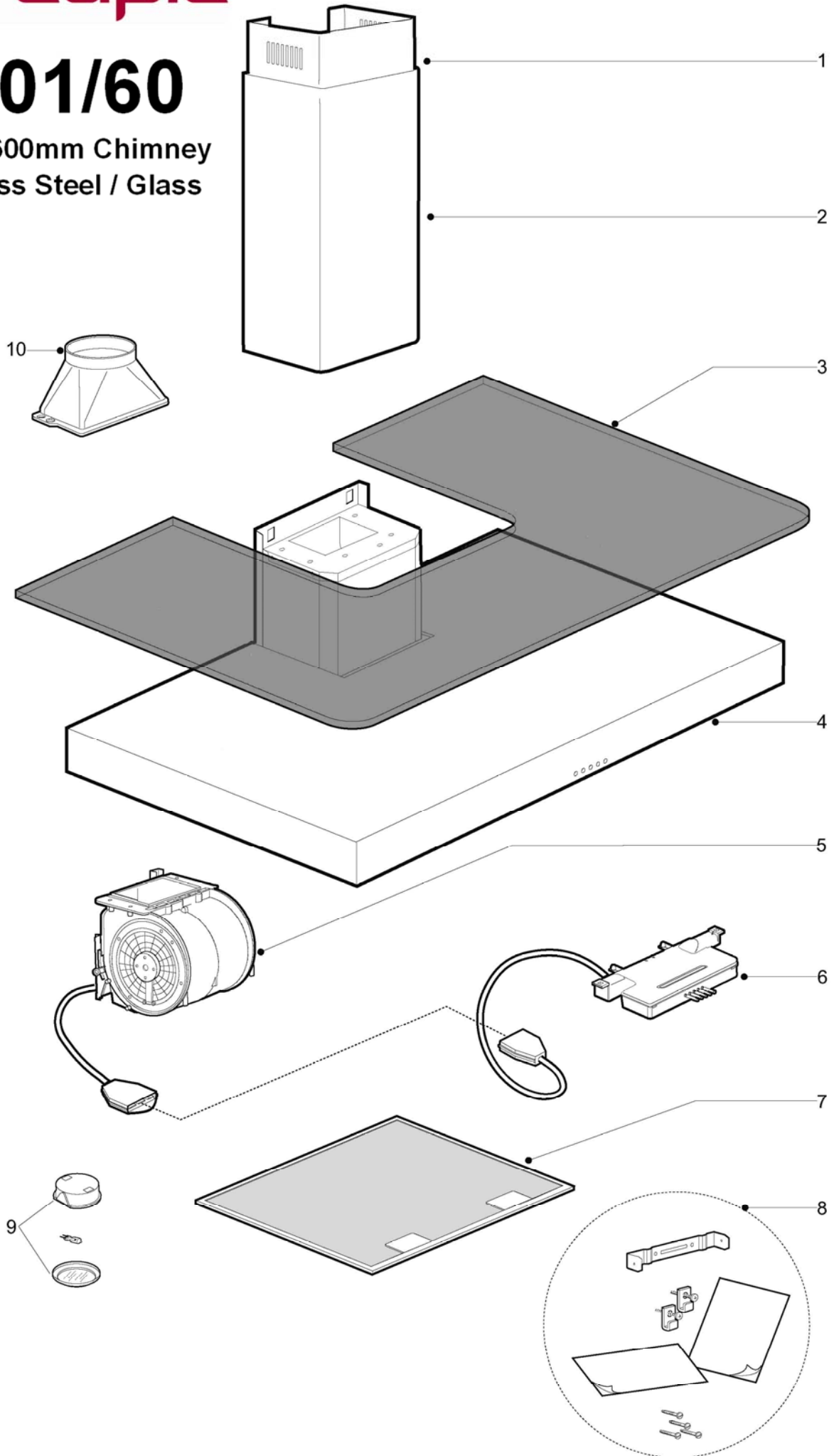


Models:
F301/90



F301/60

Caple 600mm Chimney
Stainless Steel / Glass





F301/60

Caple 600mm Chimney Stainless Steel / Glass

Parts List

POS.	CODE		QUANTITY
1	AFCPSXAR	CHIMNEY UPPER SECTION	1
2	AFCPFXAR	CHIMNEY LOWER SECTION	1
3	AFVTF3060STSNFA	GLASS	1
4	AFCCF30X60	HOOD	1
5	AGR01434	MOTOR	1
6	AFAGCPLK50AP	CONTROL	1
7	AFGF3060SC	FILTER	1
8	AFSACACCF15	DOCUMENT	1
9	AFFARETTOALO	LAMP	2
10	AFRUA125	AIR OUTLET	1



F301/850/60

Caple 600mm Chimney Stainless Steel / Glass

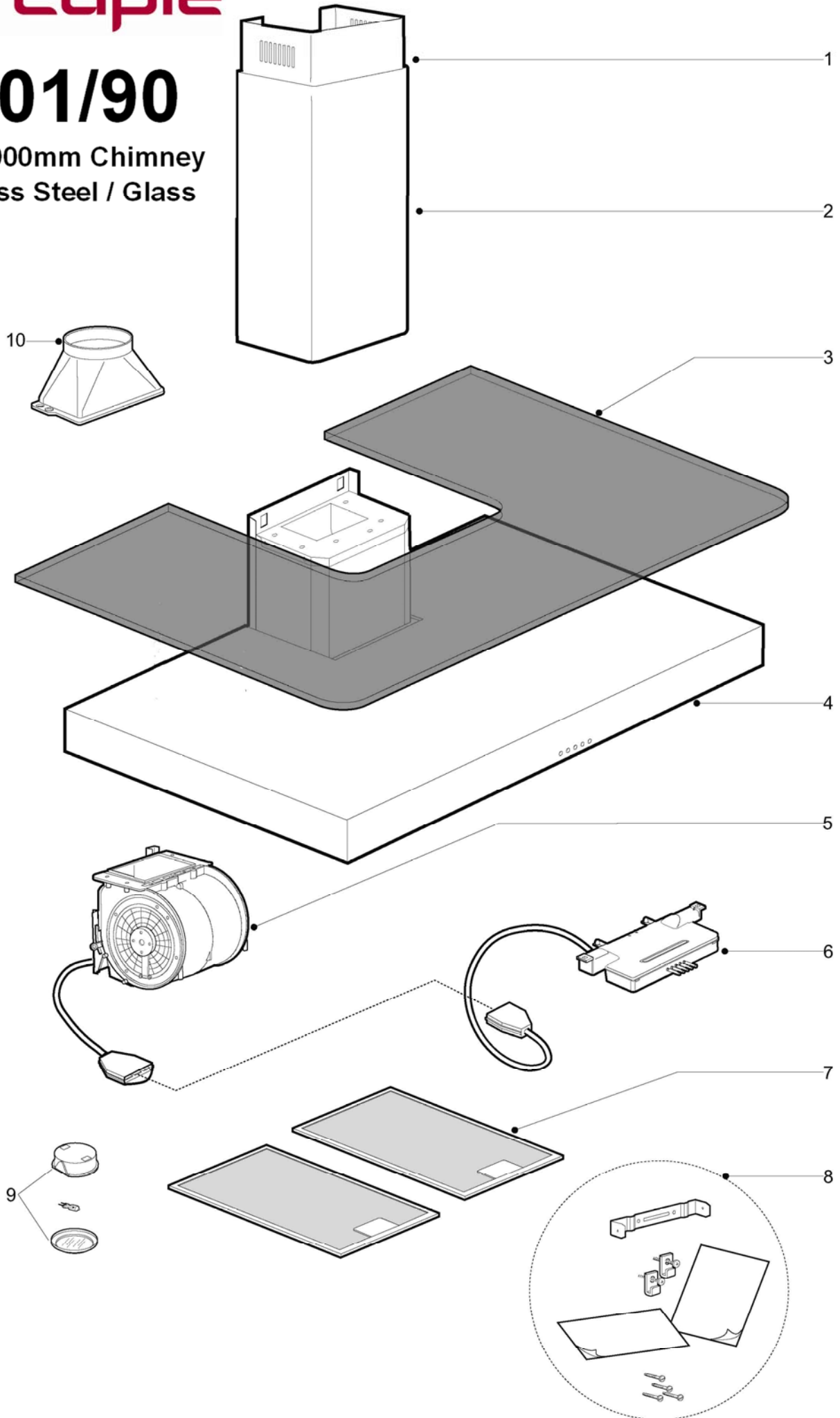
Parts List

POS.	CODE		QUANTITY
1	AFCPSXAR	CHIMNEY UPPER SECTION	1
2	AFCPFXAR	CHIMNEY LOWER SECTION	1
3	AFVTF3060STSNFA	GLASS	1
4	AFCCF30X60	HOOD	1
5	AFAGMALU800E	MOTOR	1
6	AFAGCPLS35AP	CONTROL	1
7	AFGF3060SC	FILTER	1
8	AFSACACCF15	DOCUMENT	1
9	AFFARETTOALO	LAMP	2



F301/90

Caple 900mm Chimney
Stainless Steel / Glass





F301/90

Caple 600mm Chimney Stainless Steel / Glass

Parts List

POS.	CODE		QUANTITY
1	AFCPSXAR	CHIMNEY UPPER SECTION	1
2	AFCPFXAR	CHIMNEY LOWER SECTION	1
3	AFVTF3090STSNFA	GLASS	1
4	AFCCF30X90	HOOD	1
5	AGR01434	MOTOR	1
6	AFAGCPLK50AP	CONTROL	1
7	AFGF22	FILTER	2
8	AFSACACCF15	DOCUMENT	1
9	AFFARETTOALO	LAMP	2
10	AFRUA125	AIR OUTLET	1



F301/90

Caple 900mm Chimney
Stainless Steel / Glass

Data Sheet

MOTOR	TYPE	ABSORPTION			VOLT/FREQ.	
		W			V.	Hz
	450m ³ /h		180		220-230	50
AIR FLOW (m ³ /h)	EXHAUSTING			RECIRCULATION		
	1	2	3	1	2	3
	160	270	450	135	230	380
MAX NOISE (DbA)	1° speed		2° speed		3° speed	
	52 DbA		58 DbA		62 DbA	