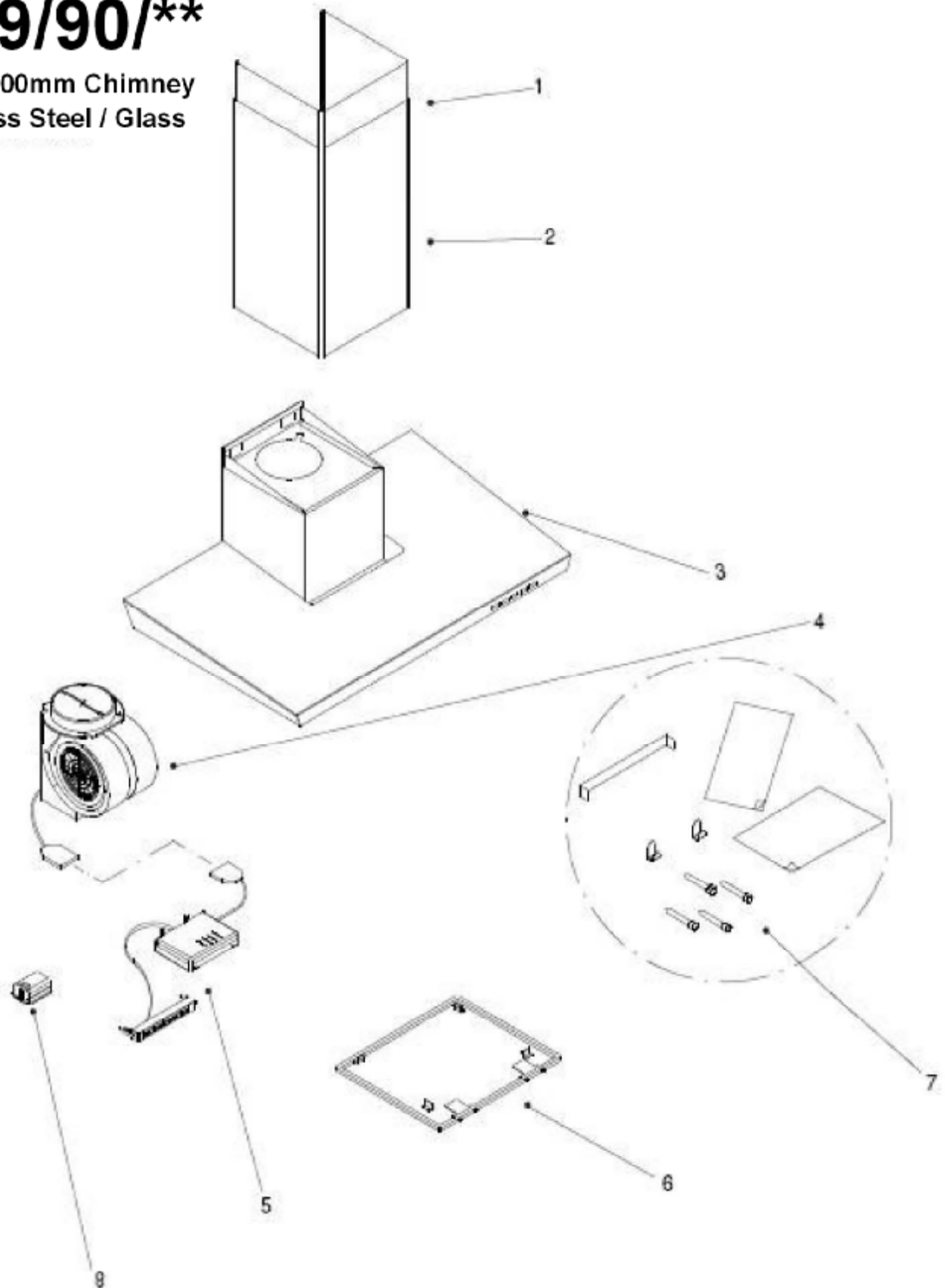




F19/90/**

Cable 900mm Chimney
Stainless Steel / Glass





F19/90

Caple 900mm Chimney Stainless Steel / Glass

Parts List

POS.	CODE		QUANTITY
1	AFCPSXAR	CHIMNEY UPPER SECTION	1
2	AFCPFXAR	CHIMNEY LOWER SECTION	1
3	AFCCF19P90XRLN	HOOD	1
4	AGR01435FIME	MOTOR	1
5	AFAGCPLRELENF	CONTROL	1
6	AFGF30L6X	FILTER	1
7	AFSACACCF15	DOCUMENT	1
8	AFFARETTOALO	LAMP	2
9	AFAPANF19RLNP	PERIMETRAL COVER	1



F19/90/**

Caple 900mm Chimney
Stainless Steel / Glass

Data Sheet

MOTOR	TYPE	ABSORPTION			VOLT/FREQ.	
		W	V	Hz		
	600m ³ /h	145	220-230	50		
AIR FLOW (m ³ /h)	EXHAUSTING			RECIRCULATION		
	1	2	3	1	2	3
	180	380	600	150	330	570
MAX NOISE (DbA)	1 st speed		2 nd speed		3 rd speed	
	52 DbA		58 DbA		64 DbA	
LAMPS	NR.			TYPE		
	2			200W Halogens		