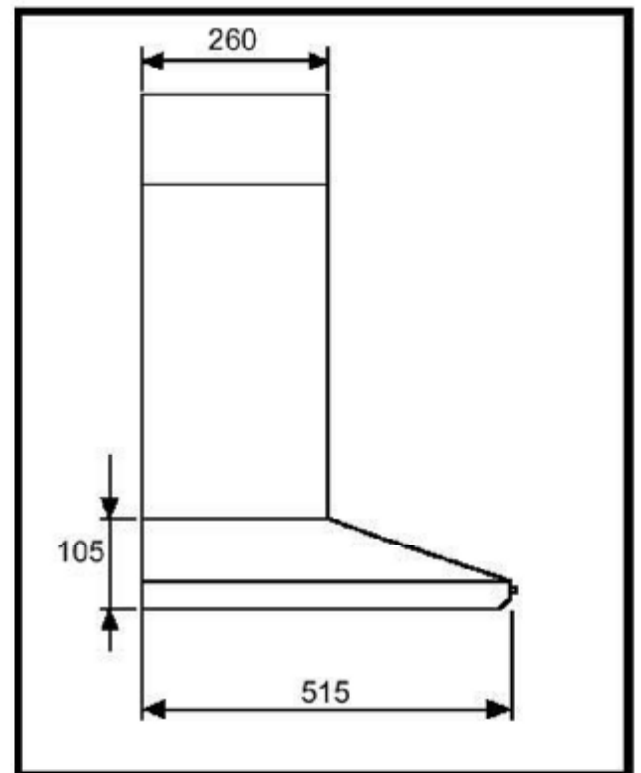
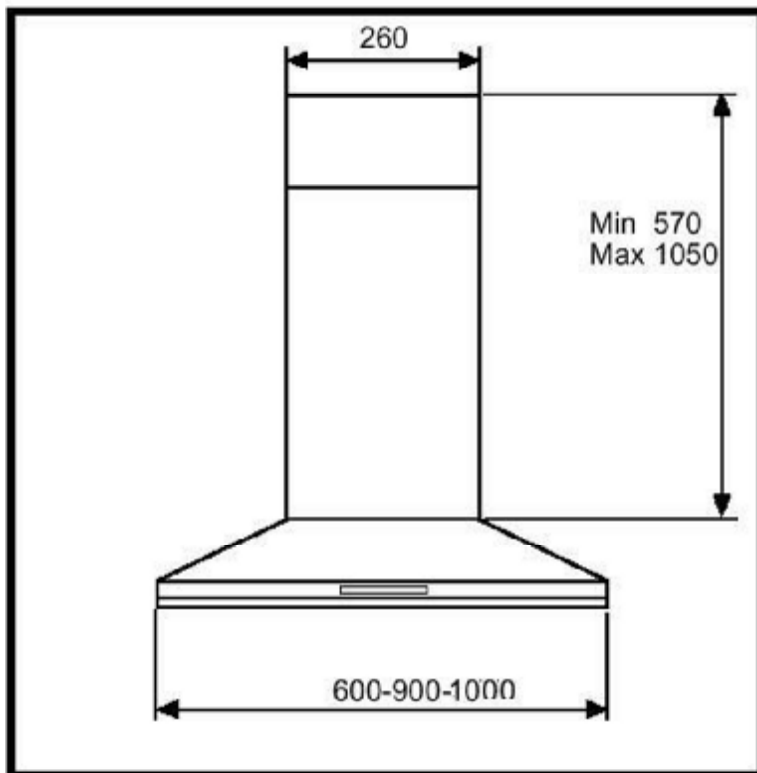




F16/**

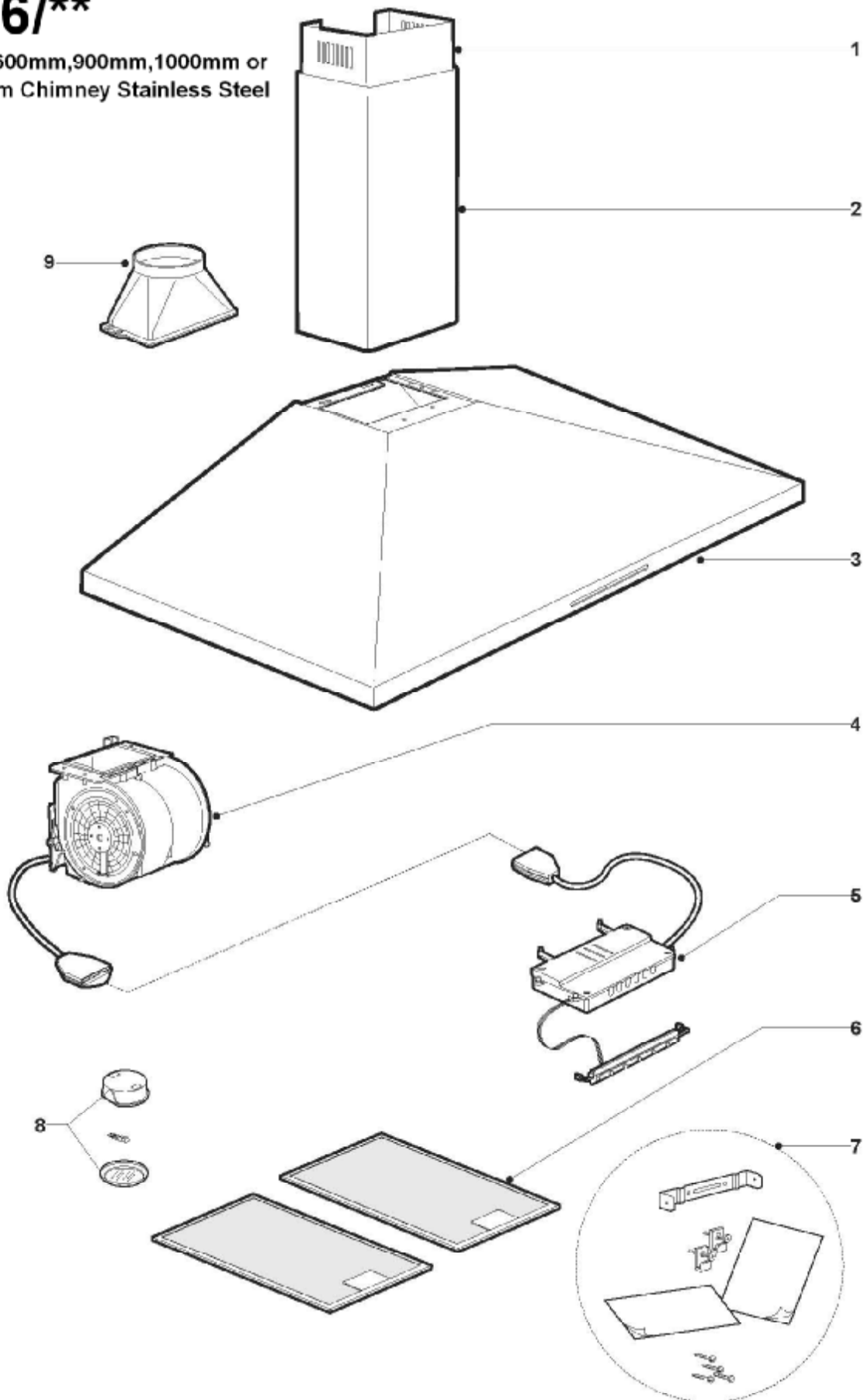
Caple 600mm,900mm,1000mm or
1300mm Chimney Stainless Steel





F16/**

Caple 600mm,900mm,1000mm or 1300mm Chimney Stainless Steel





F16/60

Caple 600mm Chimney Stainless Steel

Item	Part No.	Description	Qty
1	AFCPSAXF15-F16	UPPER CHIMNEY X 60/90 F15-16	1
2	AFCPFAXF15-F16	LOWER CHIMNEY X 60/90 F15-F16	1
3	AFCCF16XRL	HOOD F16 60 INOX RELE	1
4	AGR01435FIME	MOTOR S30 FIME - TN 711	1
5	AFAGCPLRELEF	CONTROL PANNEL - RELE 650 FIME	1
6	AFGF22	FILTER F22	2
7	AFSACACCF15	AS.DOC.F15-6-22-3-4-5-9-30-1-2	1
8	AFFARETTOALO	LAMP	2
9	AFRUA125	DUCTING OUTLET. 125	1



F16/90

Caple 900mm Chimney Stainless Steel

Item	Part No.	Description	Qty
1	AFCPSAXF15-F16	UPPER CHIMNEY X 60/90 F15-16	1
2	AFCPFAXF15-F16	LOWER CHIMNEY X 60/90 F15-F16	1
3	AFCCF16X90RL	HOOD F16 90 INOX RELE	1
4	AGR01435FIME	MOTOR S30 FIME - TN 711	1
5	AFAGCPLRELEF	CONTROL PANNEL - RELE 650 FIME	1
6	AFGF22	FILTER F22	3
7	AFSACACCF15	AS.DOC.F15-6-22-3-4-5-9-30-1-2	1
8	AFFARETTOALO	LAMP	2
9	AFRUA125	DUCTING OUTLET. 125	1



F16/100

Caple 1000mm Chimney Stainless Steel

Item	Part No.	Description	Qty
1	AFCP SAXF15-F16	UPPER CHIMNEY X 60/90 F15-16	1
2	AFCPF AXF15-F16	LOWER CHIMNEY X 60/90 F15-F16	1
3	AFCCF16X100RL	HOOD F16 100 INOX RELE	1
4	AGR01435FIME	MOTOR S30 FIME - TN 711	1
5	AFAGCPLRELEF	CONTROL PANNEL - RELE 650 FIME	1
6	AFGF22	FILTER F22	3
7	AFSACACCF15	AS.DOC.F15-6-22-3-4-5-9-30-1-2	1
8	AFFARETTOALO	LAMP	2
9	AFRUA125	DUCTING OUTLET. 125	1



F16/1300

Caple 1300mm Chimney Stainless Steel

Parts List

POS.	CODE		QUANTITY
1	AFCP SAXF15-F16	CHIMNEY UPPER SECTION	1
2	AFCP FAXF15-F16	CHIMNEY LOWER SECTION	1
3	AFCCF16X130RL	HOOD	1
4	AFAGMALU900E	MOTOR	1
5	AFAGCPLRELE	CONTROL	1
6	AFGF16130	FILTER	4
7	AFSACACCF15	DOCUMENT	1
8	AFFARETTOALO	LAMP	2