



C605E

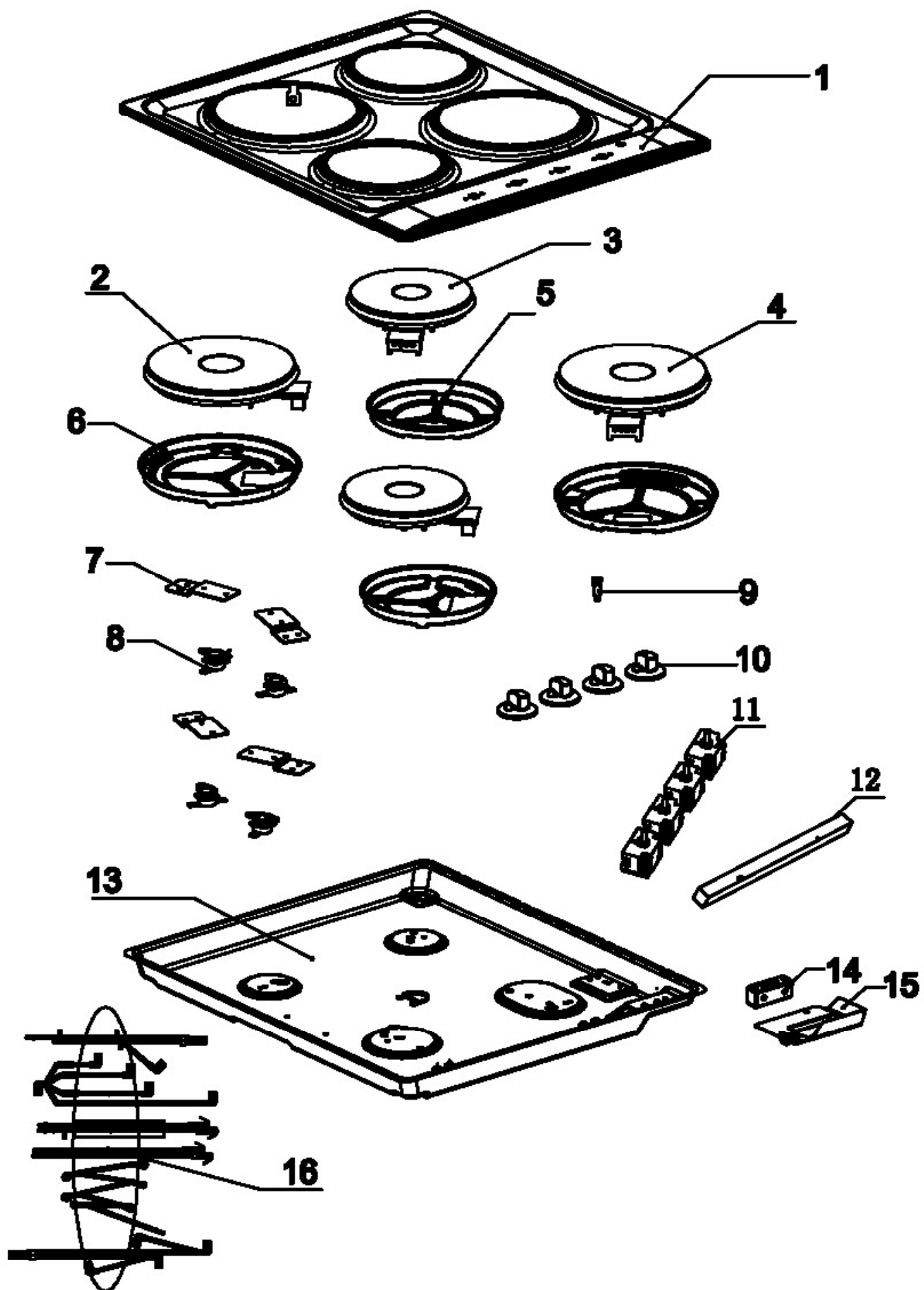
Caple 4 Plate Electric Hob



Technical information

C605E

Caple 4 Plate Electric Hob





C605E - Caple 4 Plate Electric Hob

Item	Part Code	Description	Qty
1	HC-55-3-01	Front panel	1
2	HC-55-15-LP-03	Heating element - 2 kW	1
3	HC-55-15-LP-02	Heating element - 1.5 kW	1
4	HC-55-15-LP-01	Heating element - 1 kW	2
5	HC-55-12-01	Base cover - 1 kW	2
6	HC-55-12-02	Base cover - 2 and 1.5 kW	2
16	HA-55-02	Light	1
16	HC-55-LX-01	Wireing loom	1
17	HA-55-12-02	Sever-step switch	4
18	HA-55-39	heat Insulation fibre	1
19	HA-55-08	Terminal block - ceramic	1
20	HA-55-09	Board - power cable	1
21	HC-55-3-DB-01	Bottom plate	1
36	HA-55-12-16	Temperature limiter	4
37	HB-55G-00-29	Bracket-Temperature limiter assembly	4
42	HC-55-25-XN-01	Knobs	4



C605E

Caple 4 Plate Electric Hob

