



Instruction manual for 4 plate electric hob

Model code: C605E



Contents

Environmental note	3
IMPORTANT SAFETY INFORMATION	4 – 7
Specifications	8
Product and aperture dimensions	8
Product specifications	8
Electrical details	9
Using the hob	9 - 11
Before first use	9
Control knobs	10
Switching on a zone and setting a power level	10
Hob guidelines	11
Cleaning and maintenance	12
Cleaning the hob top	12
After each use	12
Maintaining the solid plates	13
Installation	14 - 18
Positioning	14
Unpacking the appliance	14
Installing the appliance	16 - 16
Electrical connection	17
Connecting the mains supply cable	17
Replacing the mains supply cable	18
Troubleshooting	18
Contact details	20

NOTE: This instruction manual contains important information, including safety and installation points, which will enable you to get the most out of your appliance. Please keep it in a safe place so that it is easily available for future reference; for you or any person not familiar with the operation of the appliance.

Environmental note

Waste electrical products should not be disposed of with household waste. Please recycle where facilities exist. Check with your Local Authority or retailer for recycling advice.

This appliance is marked according to the European directive 2002/96/EC on Waste Electrical and Electronic Equipment (WEEE).

By ensuring this product is disposed of correctly, you will help prevent potential negative consequences for the environment and human health, which could otherwise be caused by inappropriate waste handling of this product.

The symbol on the product indicates that this product may not be treated as household waste. Instead it shall be handed over to the applicable collection point for the recycling of electrical and electronic equipment.

Disposal must be carried out in accordance with local environmental regulations for waste disposal.

For more detailed information about treatment, recovery and recycling of this product, please contact your local council, your household waste disposal service or the retailer where you purchased the product.



- The packaging materials that the manufacturer uses are environmentally friendly and can be recycled.
- Please discard all packaging material with due regard for the environment.

Important safety information



Your safety is of the utmost importance to us. Please make sure that you read this instruction booklet *before* attempting to install or use the appliance. If you are unsure of any of the information contained in this booklet, please contact the retailer where you purchased your unit.

This appliance is intended for household use only and not for similar applications such as:

- staff kitchen areas in shops, offices and other working environments;
- farm houses;
- by clients in hotels, motels and other residential type environments;
- bed and breakfast type environments.

This appliance can be used by children aged from 8 years and above and persons with reduced physical, sensory or mental capabilities or lack of experience and knowledge if they have been given supervision or instruction concerning use of the appliance in a safe way and understand the hazards involved.

Children shall not play with the appliance. Cleaning and user maintenance shall not be made by children without supervision. For EN60335-1

This appliance is not intended for use by persons (including children) with reduced physical, sensory or mental capabilities, or lack of experience and knowledge, unless they have been given supervision or instruction concerning use of the appliance by a person responsible for their safety. For IEC60335-1

This appliance is for indoor use only, and for household use only.

To protect against the risk of electrical shock, do not immerse the unit, cord or plug in water or other liquid.

Please unplug before cleaning and maintenance the appliance. Use a soft cloth moisten with mild soap, and then use a dry cloth to wipe it again.

General Information

- This appliance is designed for domestic household use and for the cooking and frying of domestic foodstuffs.
- ***IMPORTANT:*** *The adjacent furniture and all materials used in the installation must be able to withstand a minimum temperature of 100°C above the ambient temperature of the room it is located in, whilst in use.*
- Certain types of vinyl or laminate kitchen furniture are particularly prone to heat damage or discolouration at temperatures below the guidelines given above.
- Any damage caused by the appliance being installed in contravention of this temperature limit, ***will be the liability of the owner.***
- Your new appliance is guaranteed against electrical or mechanical defects, subject to certain exclusions that are noted in the manufacturer's Conditions Of Guarantee. Please refer to the guarantee card included with this product. The foregoing does not affect your statutory rights.
- The use of this appliance for any other purpose or in any other environment without the express agreement of the manufacturer will invalidate any warranty or liability claim.
- You should not use this appliance to store items on or as a work surface.
- No modifications to the appliance are permitted by the manufacturer
- You should not store or place flammable or highly flammable liquids/materials on top of or near the appliance. Items made from aluminium, plastic or plastic film should also be kept away from the appliance, as they may fuse to the surface.
- ***Repairs may only be carried out by authorised service agents.***

Child Safety

- The manufacturer strongly recommends that babies and young children are prevented from being near to the appliance and not allowed to touch the appliance **at any time**. During and after use, all surfaces will become hot.

- If it is necessary for younger family members to be in the kitchen, please ensure that they are kept under close supervision at all times. Older children should only be allowed to utilise the appliance when supervised.

General Safety

- ✔ The appliance should only be installed and connected by a suitably qualified person.
- ✔ Care should be taken to ensure that the units and work surfaces that you build the appliance into, meet with the relevant standards.
- ✔ If you notice any scratches, splits or cracks in the hob surface, you should immediately switch off the appliance and disconnect it from your mains supply. Otherwise there is the risk of electric shock occurring.
- ✔ This appliance will become hot during use and will retain heat after use. Use caution when using the appliance to avoid being burned.
- This appliance is not intended for use by persons (including children) with reduced physical, sensory or mental capabilities, or lack of experience and knowledge, unless they have been given supervision or instruction concerning use of the appliance by a person responsible for their safety.

During use

- ✔ Any film or stickers that are present on the hob surface when it is delivered should be removed before use.
- ✔ Care should be used when utilising the appliance, otherwise there is a risk of burns being caused.
- You should not allow the electrical connection cables to come into contact with the hob surface when it is hot or any hot cookware.
- If fat and oil overheats, then it can ignite extremely quickly. For this reason, when cooking with fat and oil the appliance should not be left unattended.
- ✔ Make sure that all of the cooking zones are switched off after use.

Cleaning

- Cleaning of the hob should be carried out on a regular basis.
- **IMPORTANT:** *Before attempting to clean the appliance, it should be disconnected from the mains and allowed to cool.*
- Great care should be taken whilst using this appliance and when following the cleaning procedure.
- You should not use a steam jet or any other high pressure cleaning equipment to clean the appliance.

Installation



This appliance must be correctly installed by a suitably qualified person, strictly in accordance with the manufacturer's instructions. Please see the specific section of this booklet that refers to installation.

The manufacturer declines any responsibility for injury or damage, to person or property, as a result of improper use or installation of this appliance.

Declaration of conformity

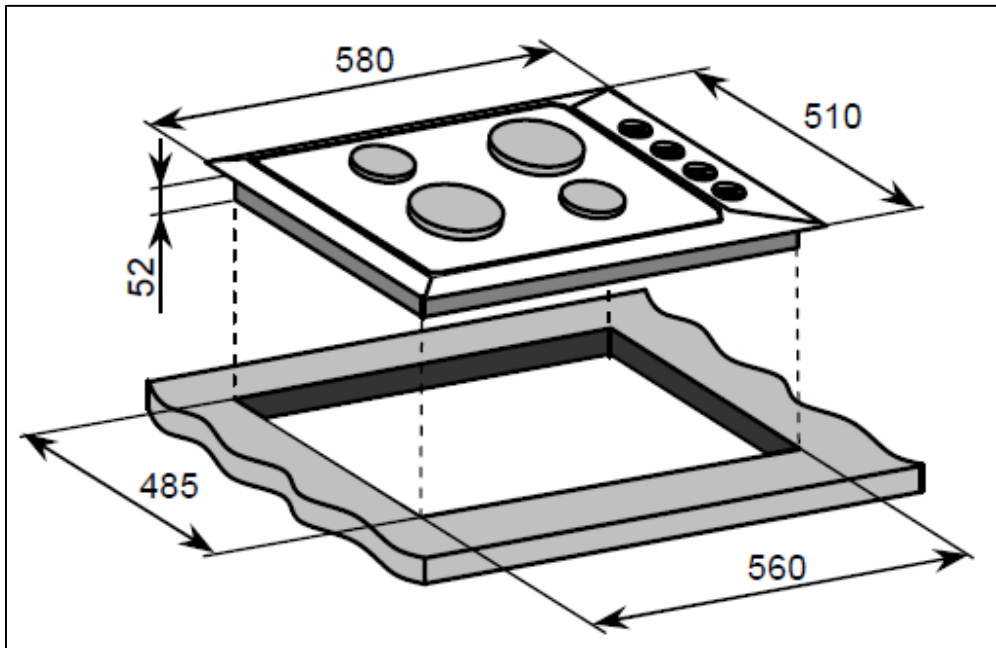


- The manufacturer declares that the hob is built using certified materials and requires the appliance to be installed in accordance with the standards currently in force. This appliance must be used by a trained person for domestic purposes only.

To avoid damaging your appliance

- The hob surface can be damaged by objects falling onto it.
- The edge of the hob surface can be damaged by knocks from cookware.
- Cast iron and cast aluminium cookware with damaged bases may scratch the hob surface if they are dragged across it.
- Pans should be lifted on and off the hob surface and not dragged.
- Cooking zones should not be switched on without cookware placed on it. Also the cookware should not be empty.

Specifications



Product dimensions:

Depth: 510 mm
Width: 580 mm
Height: 52 mm

Aperture dimensions:

Depth: 485 mm
Width: 560 mm

Product specifications:

- 1 x 2.00 kW rapid plate (Ø 188 mm)
- 1 x 1.50 kW standard plate (Ø 188 mm)
- 2 x 1.00 kW standard plate (Ø 155 mm)

Electrical details

Rated Voltage:	220-240V ac 50-60 Hz
Supply Connection:	25A (double pole switched fused outlet with 3mm contact gap)
Max Rated Inputs:	5.50 kW
Mains Supply Lead:	3 core x 4.0 mm ² (not supplied)

For future reference please record the following information which can be found on the rating plate and the date of purchase which can be found on your sales invoice. The rating plate of your hob is located on the underneath of the appliance. Therefore it is a good idea to record this information before you install your appliance.

Model number

Serial number

Date of purchase

Using the hob

Before first use



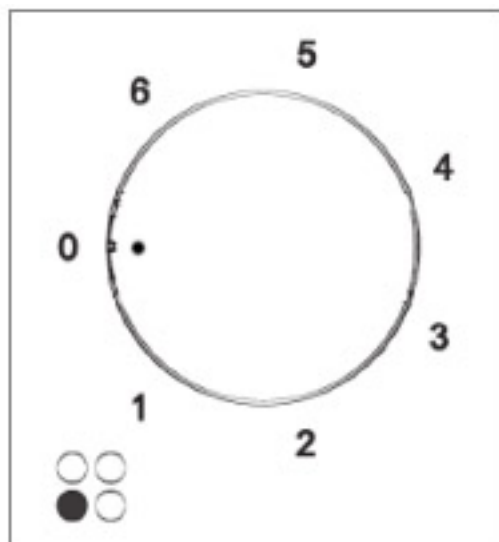
IMPORTANT: You should clean the cooktop surface and solid plates (see "Cleaning and maintenance" section).

- You should switch on one cooking zone at a time, for 5 minutes at the maximum setting. This will help to eliminate any new smell that exists and evaporate any humidity that has formed on the heating elements during transit.
- When doing this burn off process, an appropriately sized saucepan containing cold water should be placed on the zone in question.
- Do not burn off more than one zone at a time.

Control knobs

- All operations are performed by means of the 4 control knobs that can be found on the right hand side of the cooktop top.
- The control knobs can be turned either clockwise or anti-clockwise to select a heating level. The numbers around the outside of each control knob indicates the power level that you have set the zone to.
- A marking next to each control knob indicates which zone that it controls.

Switching on a zone and setting a power level



- Turn the control knob of the zone that you wish to cook on clockwise or anticlockwise until it reaches the power level that you desire.
- Each cooking zone can be adjusted between 1 and 6, one being the coolest zone setting and seven being the hottest zone setting.
- When you have finished cooking, make sure that you turn the control knob to the "0" (off) position.

Hob guidelines

- The first few times the hob top is used, it may give off an acrid, burning smell. This smell will disappear completely with repeated use.
- The hob surface is fitted with cooking areas of different diameter and power.
- The positions where the heat will radiate from are clearly marked on the hob top. The saucepans must be positioned exactly on these zones for efficient heating to occur. Pans should have the same diameter as the cooking zone that they are being used on.
- You should not use saucepans with rough bottoms, as this can scratch the solid plates.
- Before use, make sure that the bottoms of the saucepans are clean and dry.
- When cold, the bottom of the pans should be slightly concave, as they expand when hot and lie flat on the surface of the hob. This will allow the heat to transfer more easily.
- The best thickness for the bottom of the pans is 2 – 3 mm of enamelled steel and 4 – 6 mm for stainless steel with sandwich type bottoms.
- If these rules are not followed, then there will be a great loss of heat and energy. Heat not absorbed by the saucepan, will spread to the hob, frame and surrounding cabinets.
- Preferably cover pans with a lid to permit cooking at a lower heat.
- Always cook vegetables and potatoes, etc. in as little water to reduce cooking times.
- Food or liquid that has high sugar content may damage the hob top if it comes into contact with the hob surface. Any spillages should be wiped up immediately, however this may not prevent the hob surface from becoming damaged.
- ***IMPORTANT:*** *The hob surface is tough; however it is not unbreakable and can be damaged. Especially if pointed or hard objects are allowed to fall on it with some force.*
- ***DO NOT USE THE HOB IF THE SURFACE BECOMES BROKEN OR CRACKED. YOU SHOULD CONTACT THE CUSTOMER SERVICES DEPARTMENT IMMEDIATELY.***

Cleaning and maintenance



Cleaning and maintenance operations must only be carried out when the hob is cool.

The appliance should be disconnected from your mains supply before commencing any cleaning or maintenance process.

Cleaning the hob top



Any residues that are left on the hob top surface from cleaning agents **will** damage it. You should remove any residues with water and a little washing up liquid.



Abrasive cleaners or sharp objects will damage the hob surface; you should clean it using water and a little washing up liquid.



Although it is easier to clean some deposits whilst the hob surface is still warm, you should take care not to burn yourself if cleaning the hob surface when it is still warm.

After each use

- Wipe the appliance over with a damp cloth and a little washing up liquid.
- Dry the appliance by rubbing the surface with a clean cloth.
- If the hob surface is made from stainless steel, then a suitable stainless steel cleaner should be used.
- ***IMPORTANT:** If a stainless steel cleaner is not used regularly, then it is possible for the surface of the hob to change colour over a period of time.*

Maintaining the solid plates

- If something is spilt onto the plate itself, then it can be removed using a soft brush, plastic or nylon scourer and warm water.
- To keep the solid plates in good condition, you should put a little olive oil onto a kitchen towel and rub it onto the surface of the plate. The next time the plate is used, it may produce a little smoke.
- Alternatively you can use a hotplate conditioner; these products can normally be found at larger supermarkets and hardware stores. The manufacturer's instructions should be followed when using these products.
- ***IMPORTANT: If the solid plates are not maintained regularly with olive oil or a hotplate conditioner, then they may rust. This is not covered by the guarantee as the product must be maintained as stated above.***

Installation



The installation must be carried out by a suitably qualified person, in accordance with the current version of the following.

- AS/NZS 3000: 2007 Wiring Regulations
- 2010 Electricity Safety Regulations

Positioning



The adjacent furniture must be able to withstand a minimum temperature rise of 100°C above the ambient temperature of the room it is located in, during periods of use.

This appliance is classified as Class 3 and therefore is to be built into a kitchen unit (depending on size) or 600 mm worktop that is at least 30 mm thick. The following minimum clearance distances must be observed:-

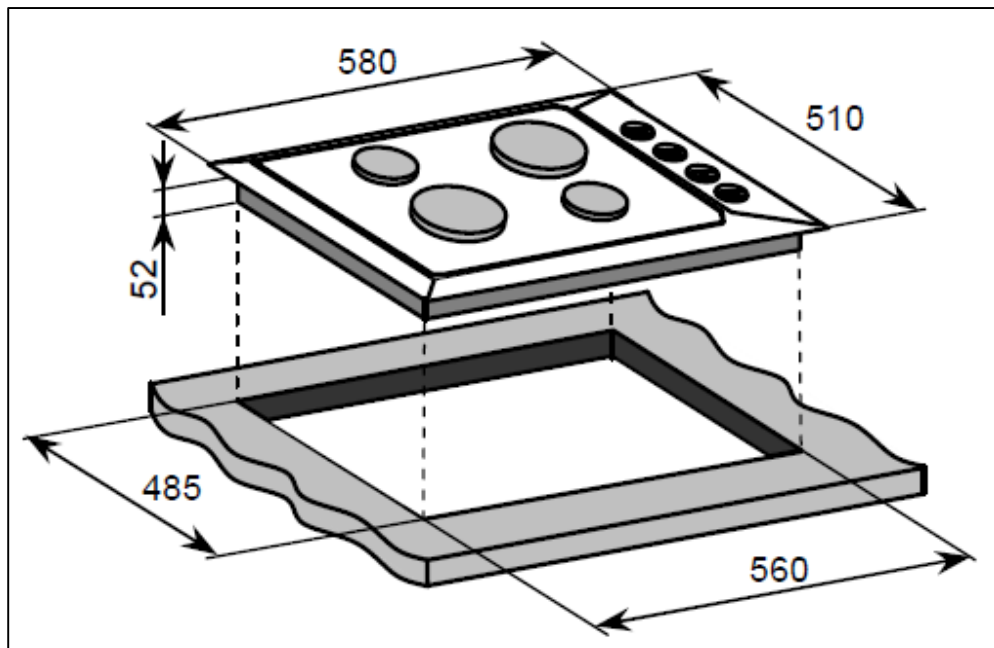
- 700 mm between the hob surface and the underside of any horizontal surface above it.
- 50 mm clearance around the sides and front of the appliance.
- 50 mm clearance between the back of the hob surface and the wall behind it, measured from the cut-out.
- If the hob is positioned so that the right or left hand side of the appliance will be near to the edge of a kitchen unit. There must be a gap of at least 150 mm between the side of the hob and the vertical surface of the kitchen unit.

Unpacking the appliance

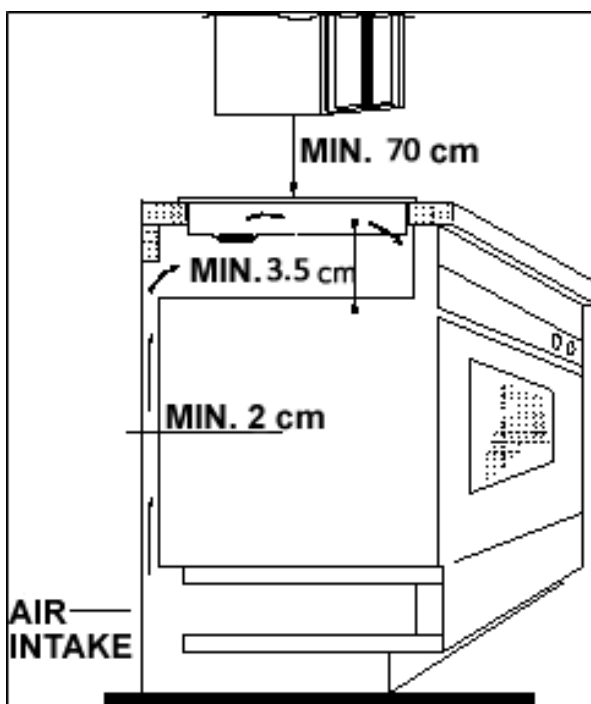
When unpacking the appliance please check that the following items are contained within the packaging:

- 1 Hob
- 1 Installation/instruction manual
- 1 Guarantee card
- 4 Fixing screws
- 4 fixing brackets
- 1 Sealing strip

Installing the appliance

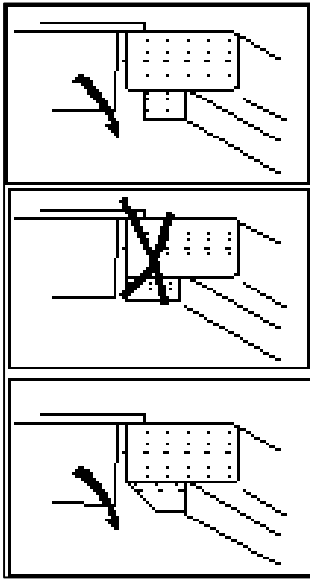


- Cut a hole in the worktop that corresponds with the drawing shown above.

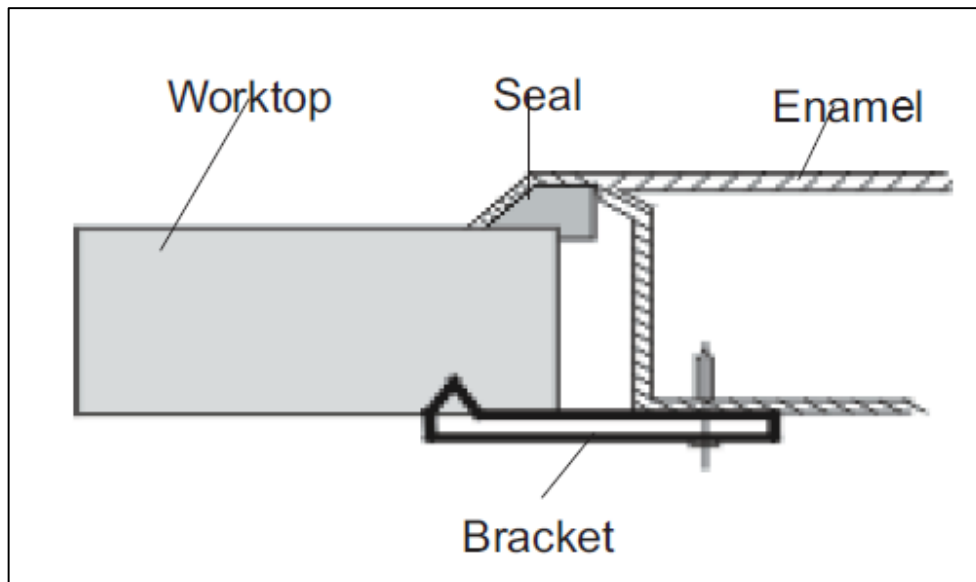


- **IMPORTANT:** You must observe the ventilation requirements shown in the drawing opposite.

- **IMPORTANT:** Do not use a silicon sealant to seal the appliance against the aperture. This will make it difficult to remove the hob from the aperture in future, particularly if it needs to be serviced.



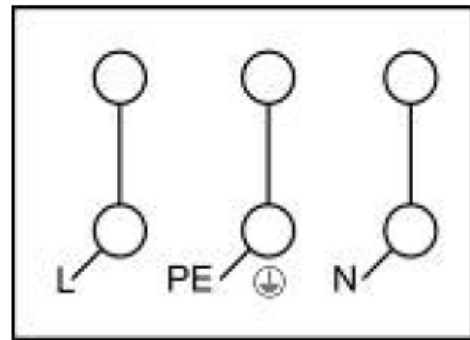
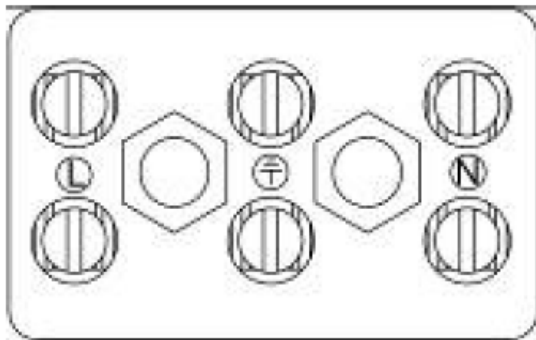
- **IMPORTANT:** There are ventilation holes around the outside of the hob. **YOU MUST** ensure that these holes are not blocked by the work top, when you put the hob into position (see drawing opposite).
- Carefully turn the hob upside down and place it on a cushioned mat.
- The supplied brackets need to be fitted to each of the four corners on the underside of the hob.
- Place a bracket onto each corner, ensuring that the outer hole lines up with the hole on the corner of the hob.
- Fasten the bracket to the corner of the hob with a screw.
- Place the long screw into the fixing hole on the outer edge of the bracket but do not fully tighten.
- Carefully turn the hob back over and then gently lower it into the aperture hole that you have cut out.
- When the hob is correctly positioned, tighten the long screws to fix the cooktop securely in the aperture hole. **These screws MUST be securely tightened.**



Electrical connection

YOUR HOB IS INTENDED FOR FITTED AND PERMANENT INSTALLATION.

- Cable type: H05 RRF 3 core x 4.0 mm² (Type RR-F <HAR> marked).
- The mains cable is not supplied with this product.
- Before connecting the appliance, make sure that the supply voltage marked on the rating plate corresponds with your mains supply voltage.
- We recommend that the appliance is connected by a qualified electrician, who is a member of the N.I.C.E.I.C. and who will comply with the I.E.E. and local regulations.
- ***WARNING: THIS APPLIANCE MUST BE EARTHED.***
- The hob must be wired into a 25A double pole switched fused spur outlet, having 3 mm contact separation and placed in an easily accessible position adjacent to the appliance. The spur outlet must still be accessible even when your hob is located in its housing.



- The wiring in the mains lead is coloured as follows:

<i>Brown</i>	Live
<i>Blue</i>	Neutral
<i>Green and yellow</i>	Earth

- As the colours of the wires in the appliance's mains lead may not correspond with the coloured markings identifying the terminals in your spur box, please proceed as follows:

The ***brown wire*** must be connected to the terminal marked "L" (live), or coloured ***red***.

The ***blue wire*** must be connected to the terminal marked "N" (neutral), or coloured ***black***.

The ***green and yellow wire*** must be connected to the terminal marked "E" (earth), or by the earth symbol, or coloured ***green and yellow***.

- When the connection is completed, no stray strands or cut wire should be present. The cord clamp must be secured over the outer sheath.
- Broken or damaged power leads must only be replaced by a suitably qualified person. A power lead of a similar type must be used in replacement. The cable must be able to withstand temperatures of 120°C.

Troubleshooting

- *The cooking zones are not functioning or will not switch on.*
 - * Check that the mains electrical supply to the appliance is correct and working. Check the mains fuse.
- *A humming sound is heard when a cooking zone is selected.*
 - * This is normal; the sound will disappear when the zone heats up.
- *The cooking zones have become discoloured*
 - * This maybe caused by burnt on remnants of food. This will not affect the working of the appliance. However you should make sure that the cleaning instructions are being followed regularly.



IMPORTANT: If your appliance appears not to be operating correctly, then you should disconnect it from your mains supply and then contact the Caple customer services department, telephone 0844 800 3830.

DO NOT ATTEMPT TO REPAIR THE APPLIANCE YOURSELF.

Please note that if a service technician is asked to attend whilst the product is under guarantee and finds that the problem is not the result of an appliance fault, then you may be liable for the cost of the call out charge.

The appliance must be accessible for the technician to perform any necessary repair. If your appliance is installed in such a way that a technician is concerned that damage will be caused to the appliance or your kitchen, then they will not complete a repair.

This includes situations where appliances have been tiled in, sealed in with sealant, have wooden obstructions placed in front of the appliance - like plinths, or any installation other than the one specified by the manufacturer has been completed.

Please refer to the conditions of guarantee that appear on the warranty card that you receive with the appliance.

IMPORTANT: The manufacturer operates a policy of continuous improvement and reserves the right to adjust and modify its products without prior notification.

Caple
Fourth Way
Avonmouth
Bristol
BS11 8DW

www.caple.co.uk